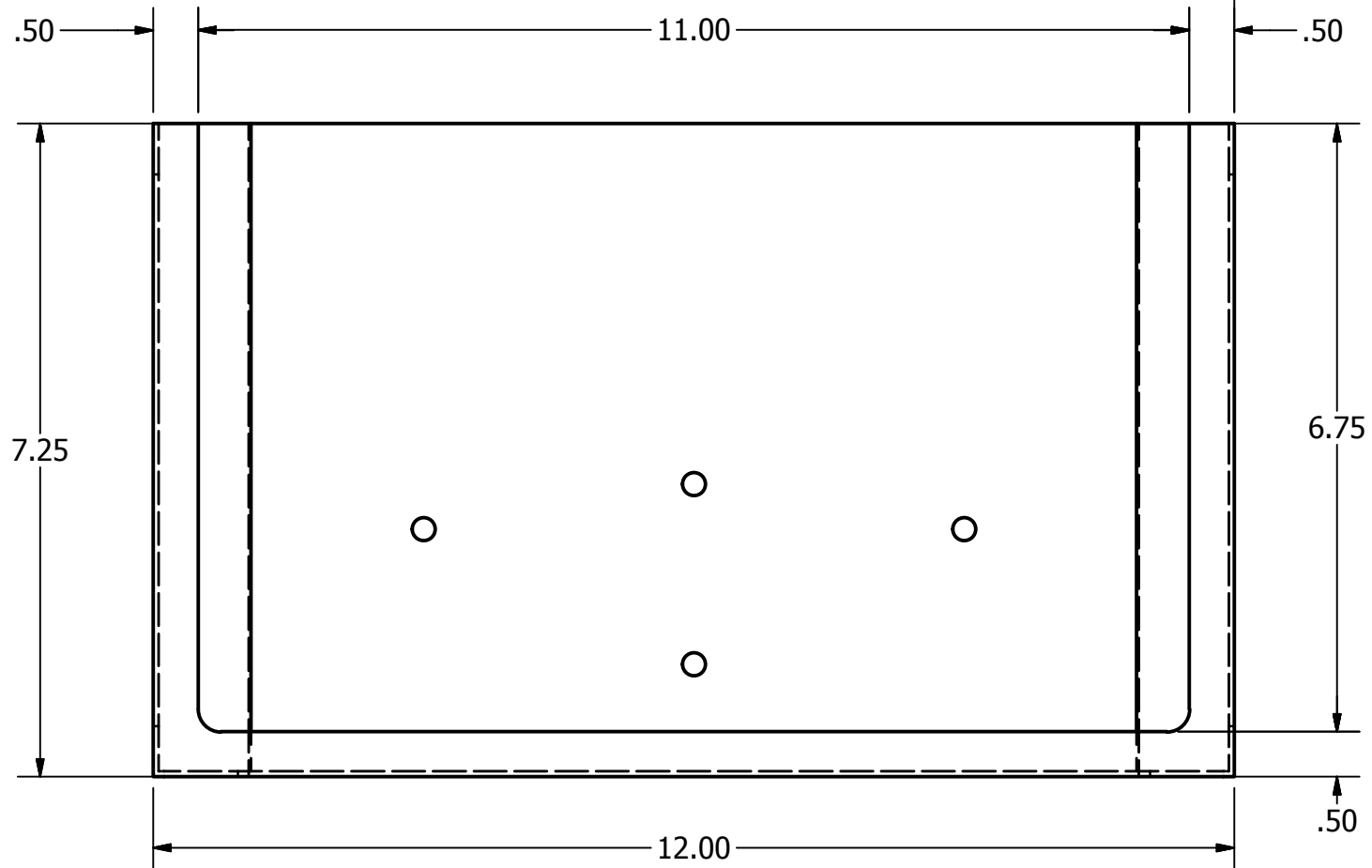
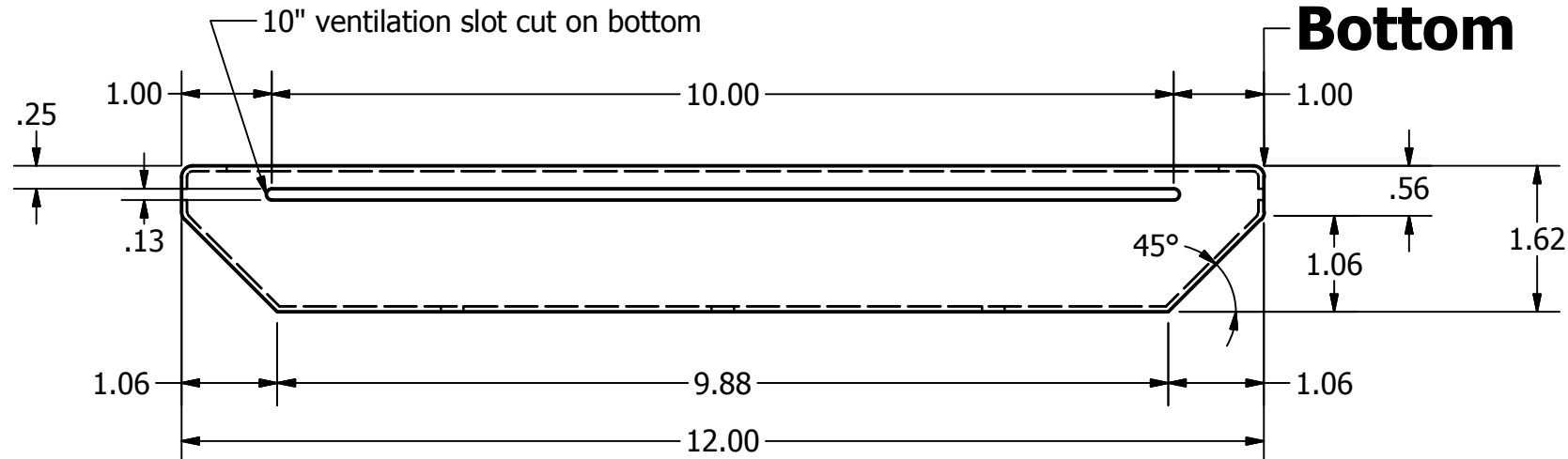


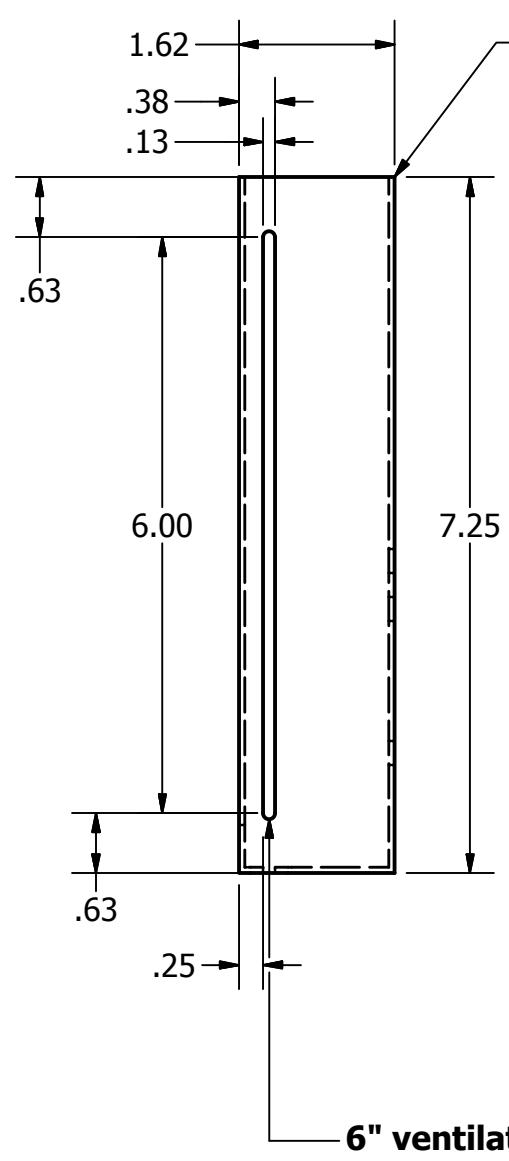
**Front**



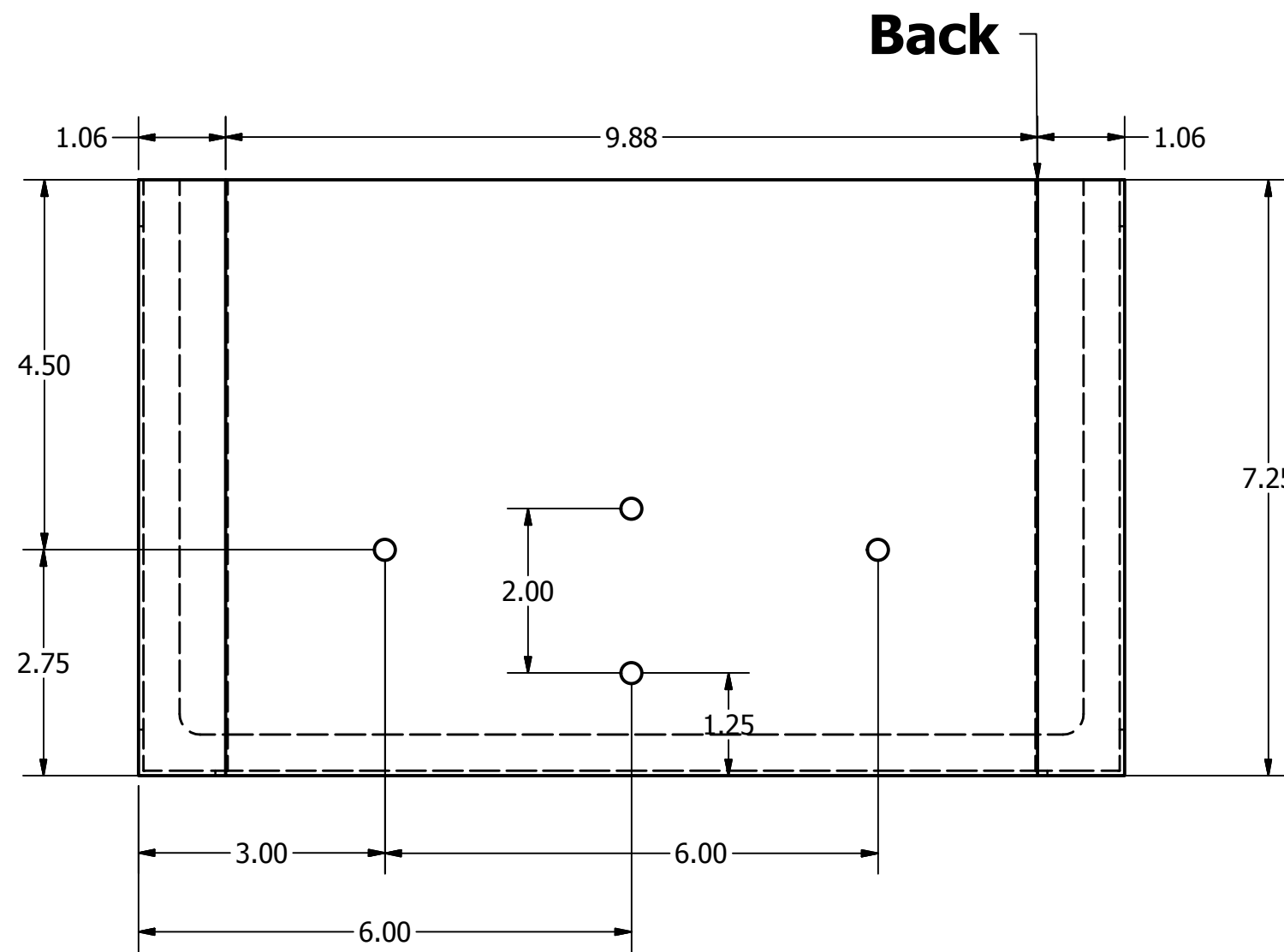
**Bottom**



**Right**



**Back**



|          |      |           |                        |     |
|----------|------|-----------|------------------------|-----|
| DRAWN    | jrod | 11/1/2012 |                        |     |
| CHECKED  |      |           | TITLE                  |     |
| QA       |      |           |                        |     |
| MFG      |      |           |                        |     |
| APPROVED |      |           |                        |     |
|          |      | SIZE      | DWG NO                 | REV |
|          |      | C         | Cisco Mount Dimensions |     |
|          |      | SCALE     | SHEET 1 OF 1           |     |