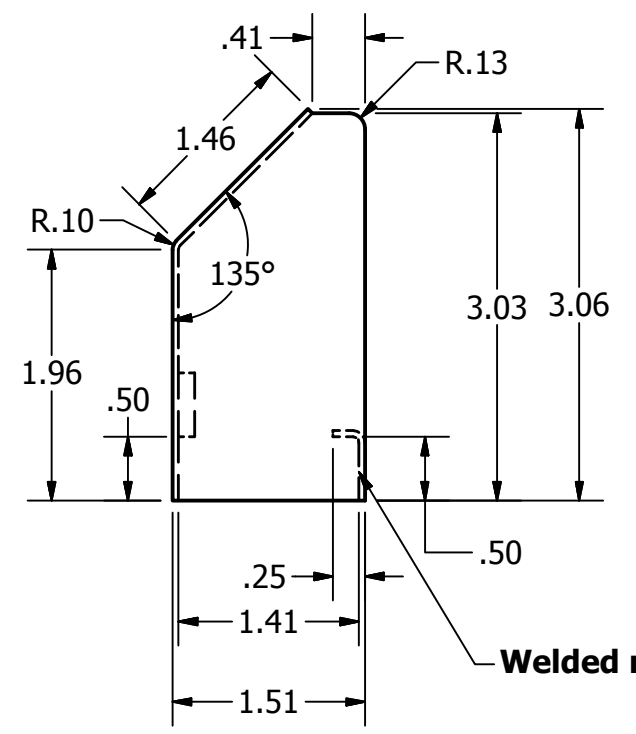
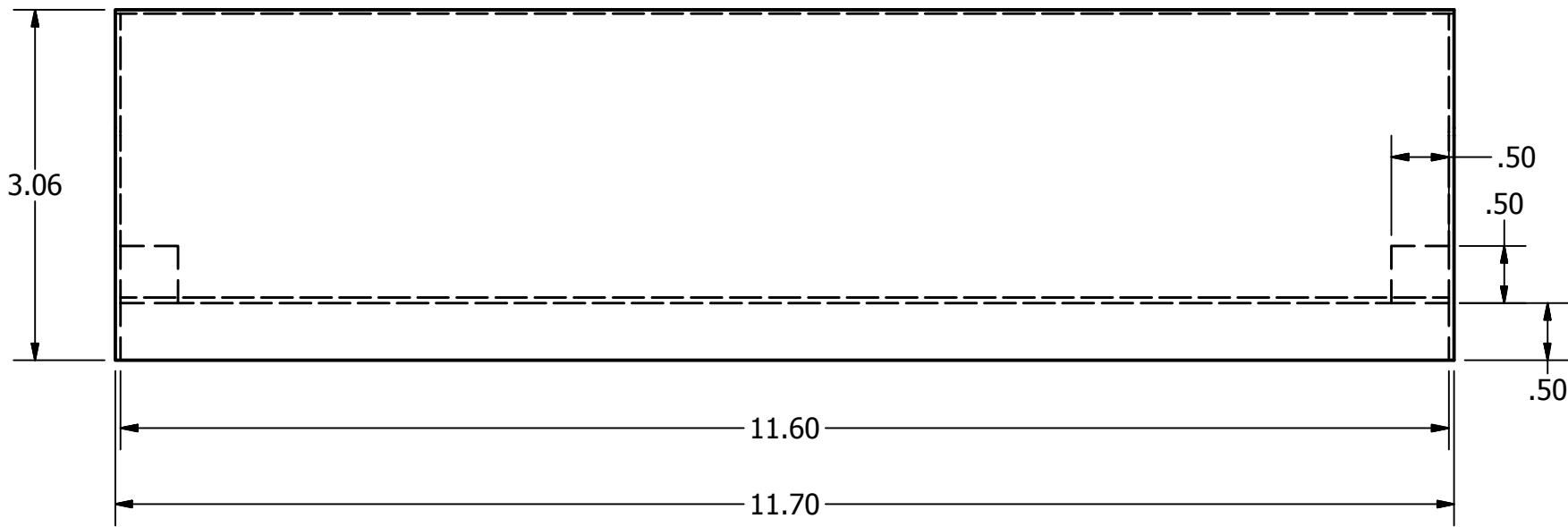


# AVTEQ

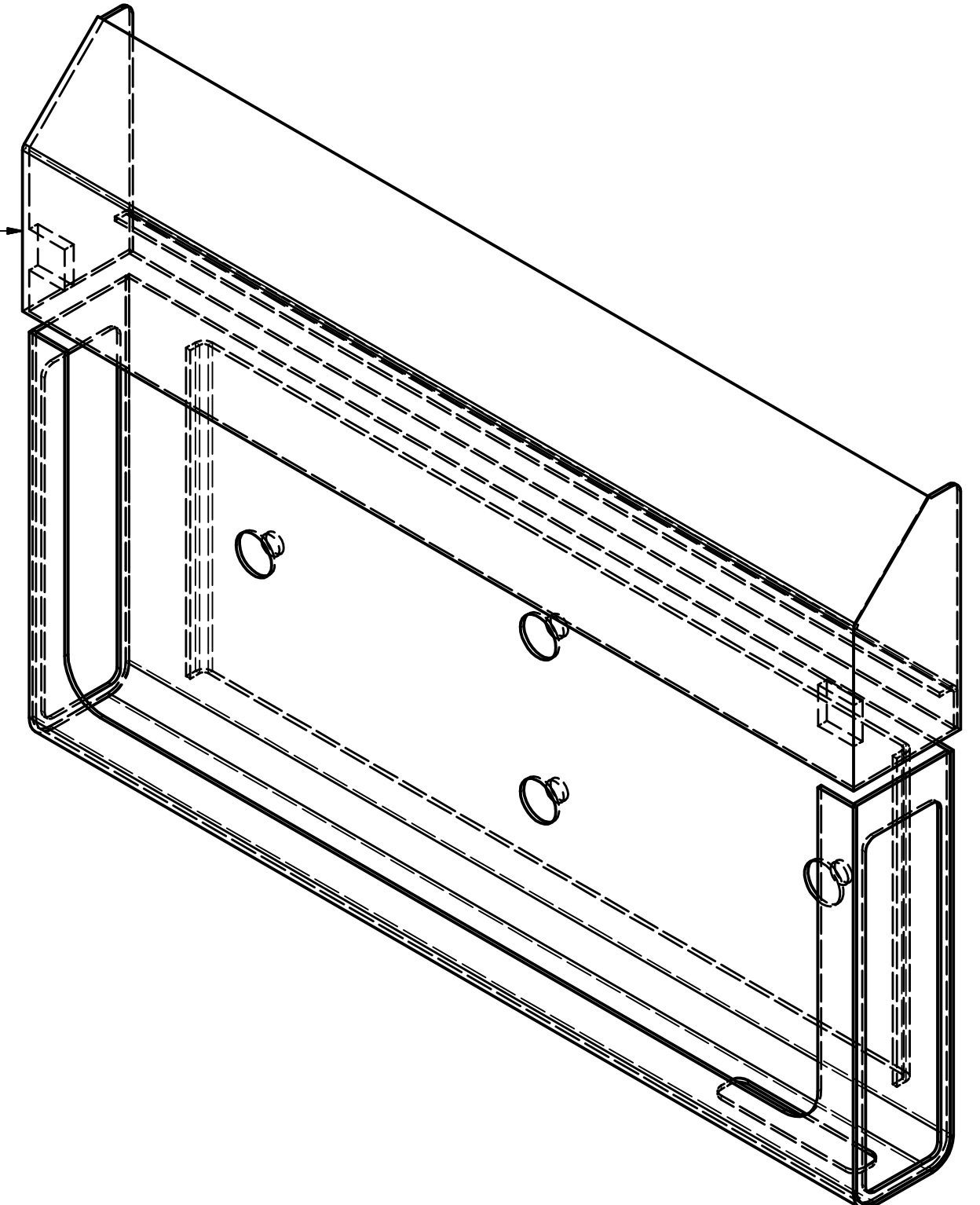
## Polycom Group 500 Cap



Welded stop to catch cap @ .5"

Welded rear bracket to catch cap @ .5"

Cap should fit snug over the mount portion



DRAWN jrod	1/20/2014			
CHECKED		TITLE		
QA				
MFG				
APPROVED				
		SIZE C	DWG NO	REV
		SCALE	Polycom RealPresence Group 500 cap	
			SHEET 1 OF 1	