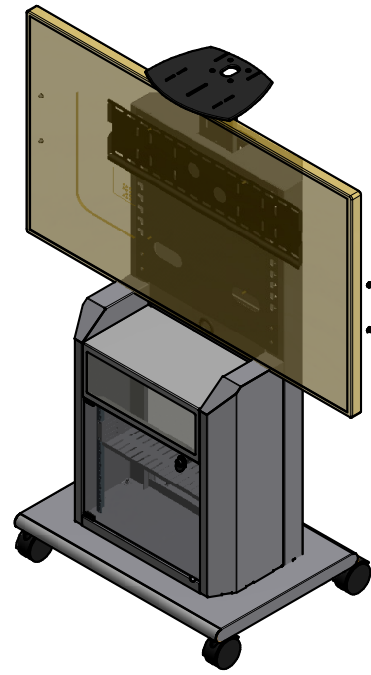

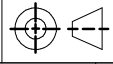


**TOP VIEW**

**FRONTAL VIEW**

**SIDE VIEW**



<b>AVTEQ TOLERANCES</b> Assemble Finished Product Finished Product: +/- 1.5 mm Welding Assemble Diagonals: +/- 1.5 mm Bend Final Measure: +/- 1 mm Punch Distance between centers: +/- 0.4 mm Final Measure +/- 1.5 mm Bend Angle: +/- 1° Shears +/- 0.5 mm		<b>CHANGE CONTROL</b> DESCRIPCION / DESCRIPTION -C7. Se elimina la pieza PI0162A017 Entrepaño equipos bañes V00 y Correa de fijacion		NOMBRE PIEZA / PART NAME: <b>RPS 800 S</b> PROYECTO / PROJECT: <b>PI0162 RPS 800 V3</b>			VERSION No. <b>09</b>	 Furniture Engineered For Today's Technology
UNIDADES / UNITS mm		FECHA / DATE: 05/03/2016	APROBO / APPROVED BY: DAC	REALIZO / REALIZED BY: CLV	CANTIDAD / QUANTITY: 1	MATERIAL: N/A	ESCALA / SCALE N.E.A.E.	
PAG. No. <b>4</b>		DISEÑO / DESIGN BY: AFA	APROBO / APPROVED BY: HFR	VERIFICO / VERIFIED BY: CDJM	FECHA / DATE: 17/08/2012	<b>PI0162AA</b>		
EXCLUSIVE PROPRIETARY DRAWING OF AVTEQ, FULL OR PARTIAL REPRODUCTION IS PROHIBITED. FDI-03-V3								