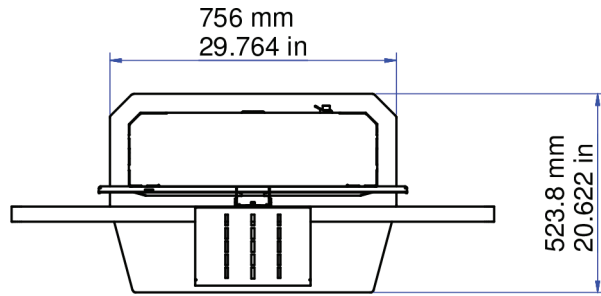




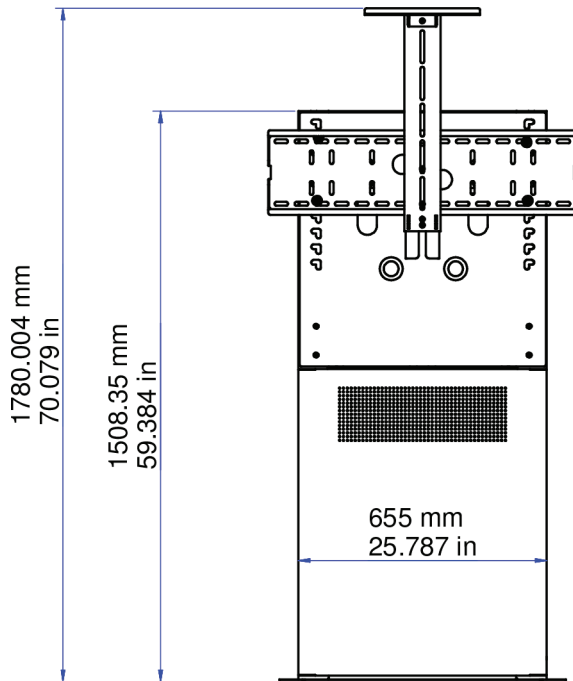
## ELT-1500S

DIMENSIONAL UNITS  
MILIMETERS [INCHES]

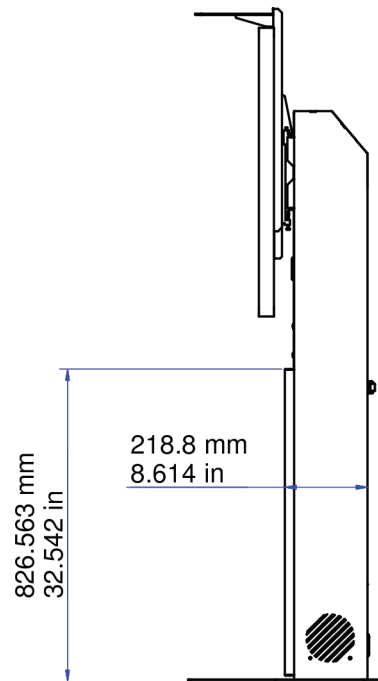
THIS IS A DIMENSIONAL DRAWING  
SOME DETAILS COULD CHANGE ON FINAL PRODUCT



TOP VIEW



FRONT VIEW



SIDE VIEW

