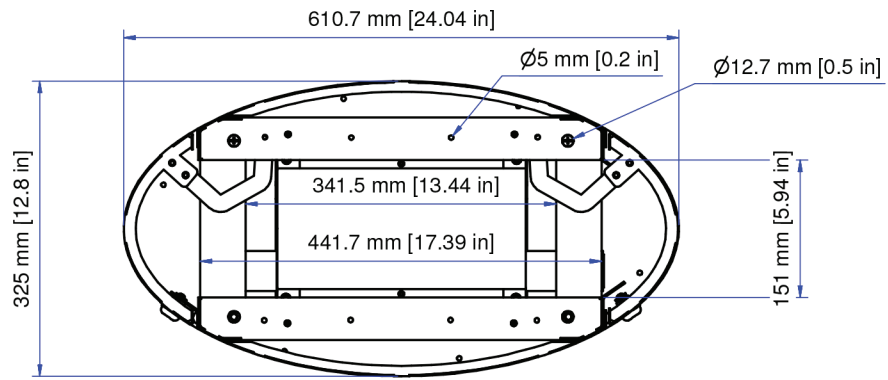




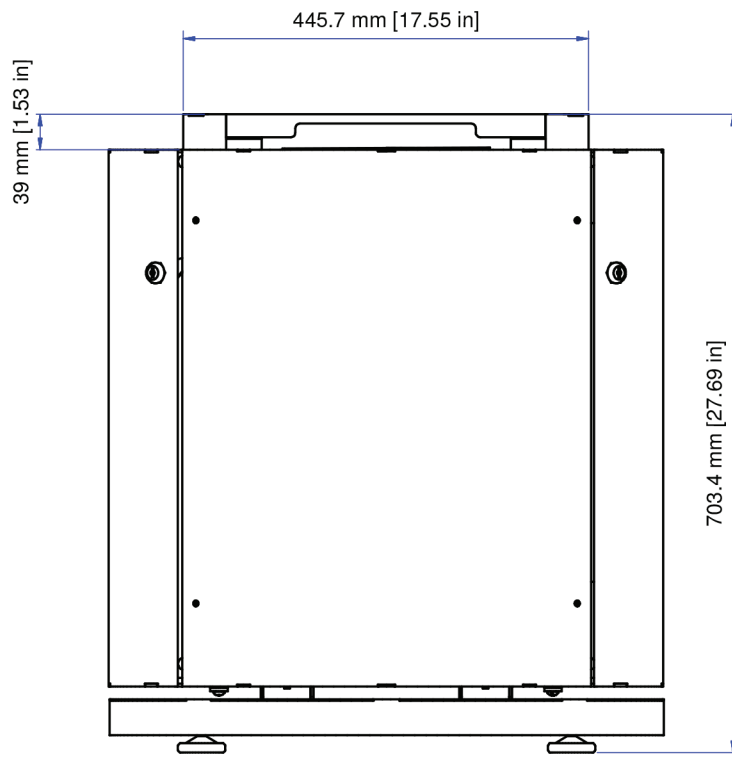
## Slimline Pedestal

DIMENSIONAL UNITS  
MILIMETERS [INCHES]

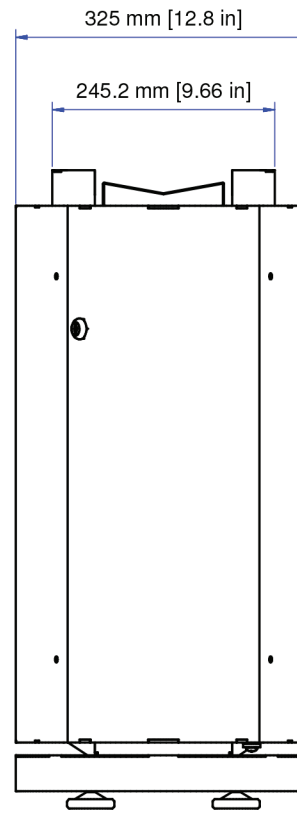
THIS IS A DIMENSIONAL DRAWING  
SOME DETAILS COULD CHANGE ON FINAL PRODUCT



TOP VIEW



SIDE VIEW



FRONT VIEW

