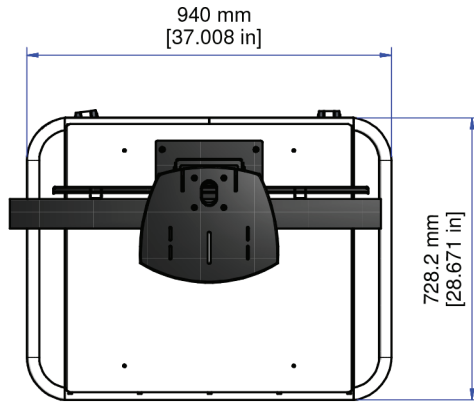




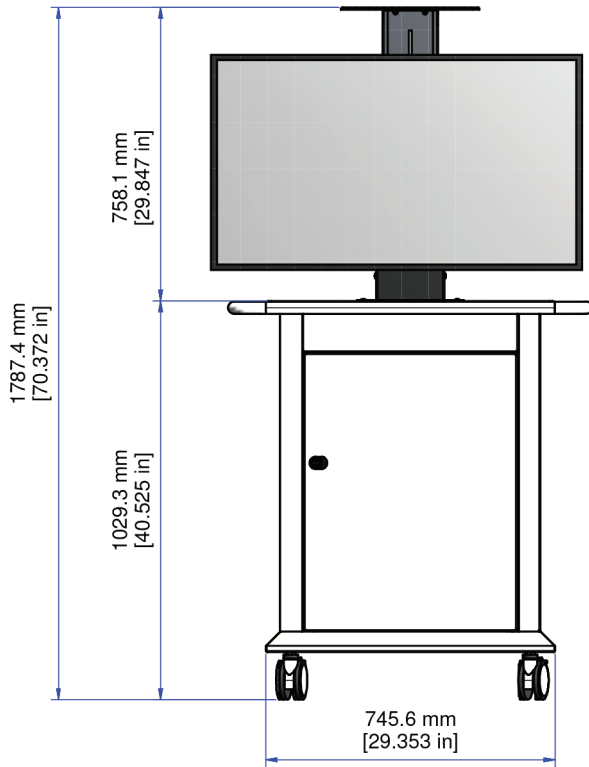
TMP-600

DIMENSIONAL UNITS
MILIMETERS [INCHES]

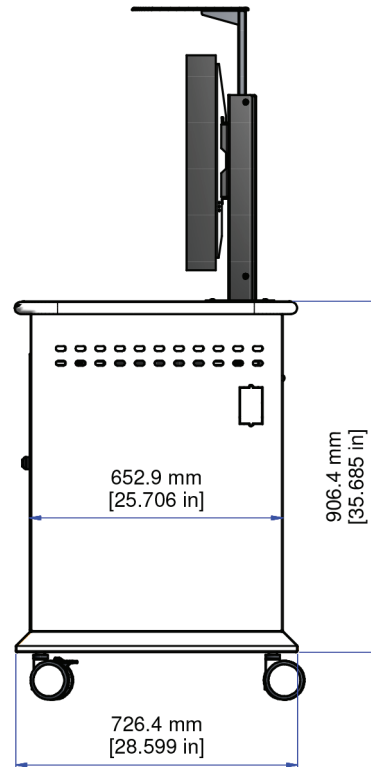
THIS IS A DIMENSIONAL DRAWING
SOME DETAILS COULD CHANGE ON FINAL PRODUCT



TOPVIEW



FRONT VIEW



SIDE VIEW

