

4

3

4

2

1

UM1-T

D

D

C

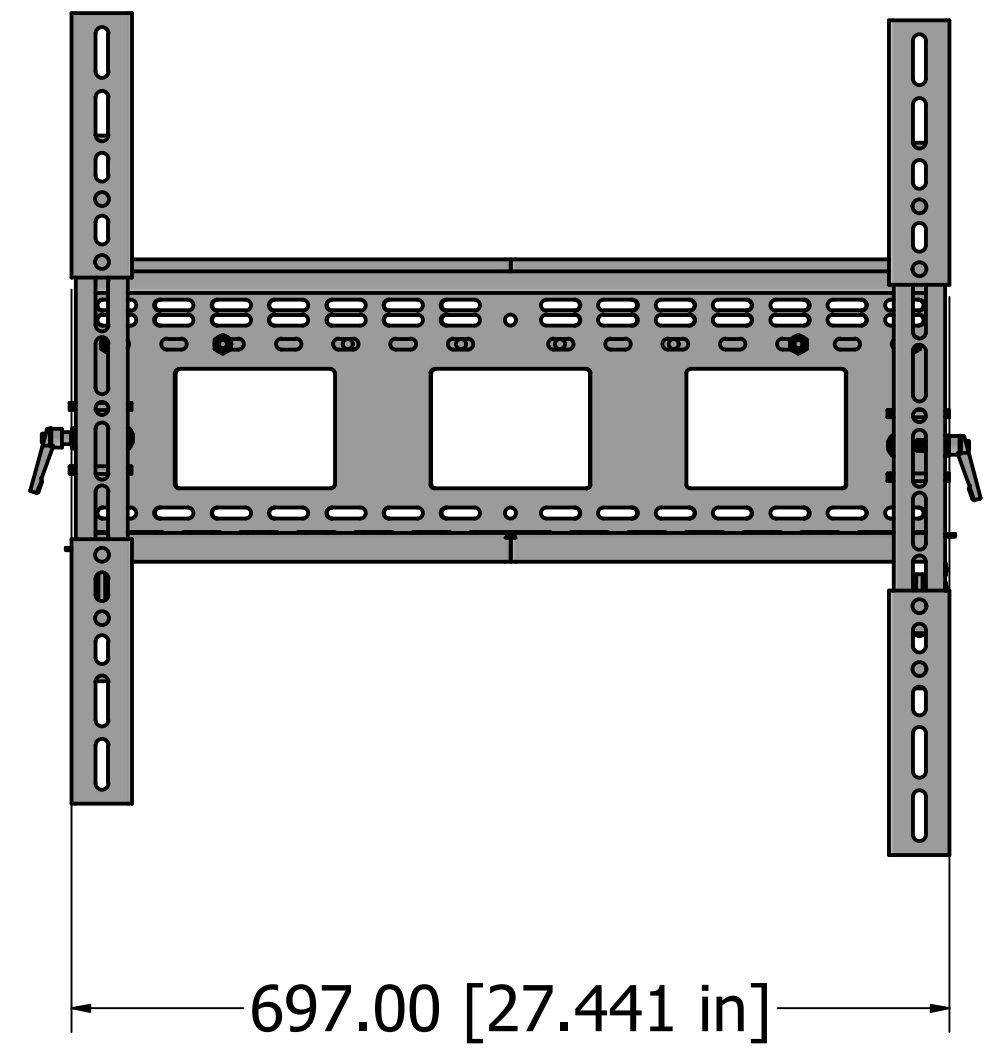
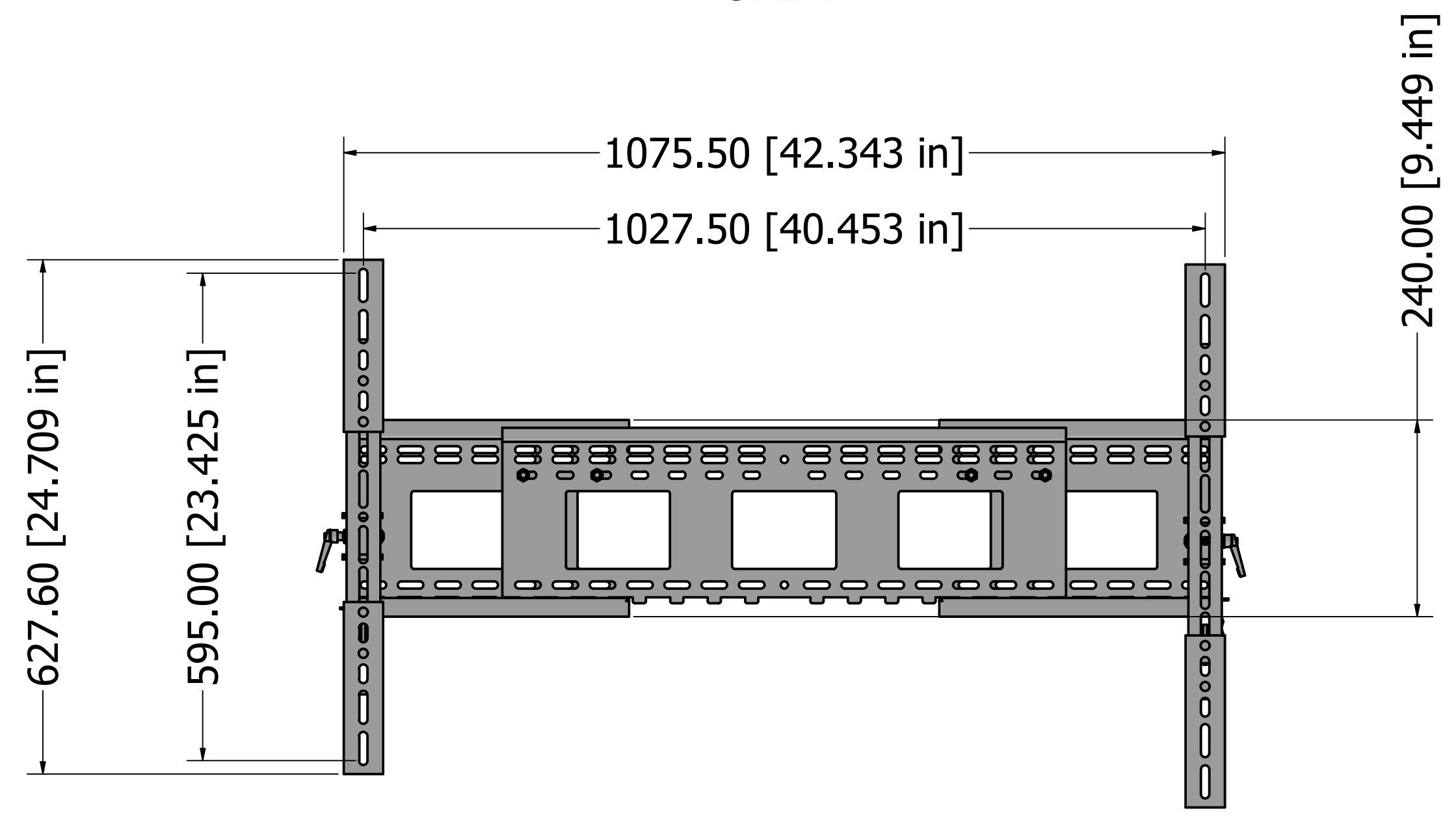
C

B

B

A

A



DRAWN iyau	4/2/2024	<b>AVTEQ®</b>		
CHECKED				
QA		TITLE		
Material				
Finish				
		SIZE C	DWG NO UM-1T	REV 1
		SCALE 1 / 6	INCHES	SHEET 1 OF 2

EXCLUSIVE PROPRIETARY DRAWING OF AVTEQ.INC FULL OR PARTIAL REPRODUCTION IS PROHIBITED

4

3

4

2

1