

AVTEQ

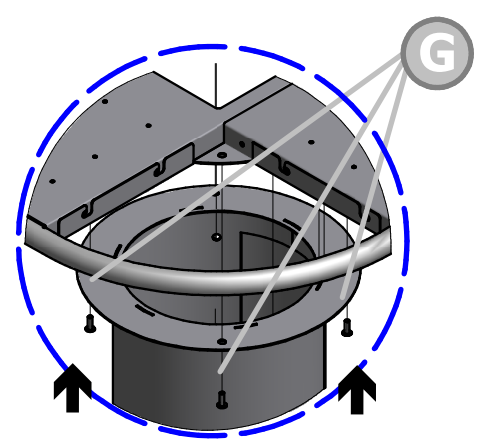
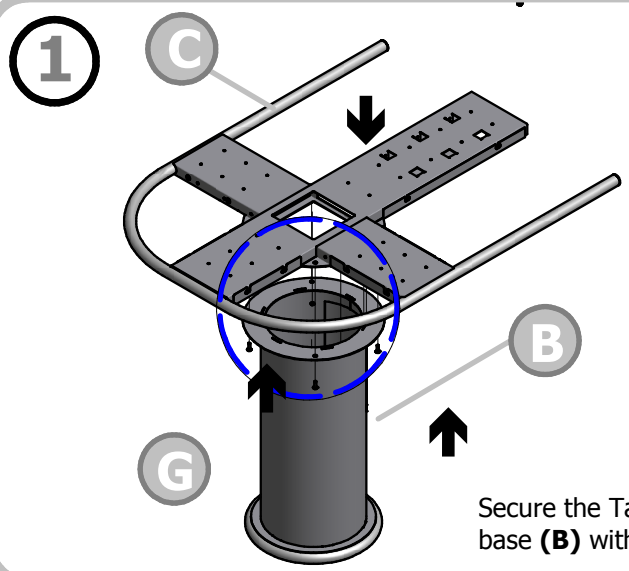
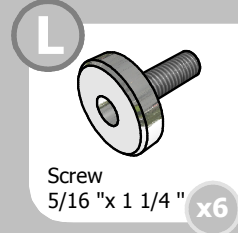
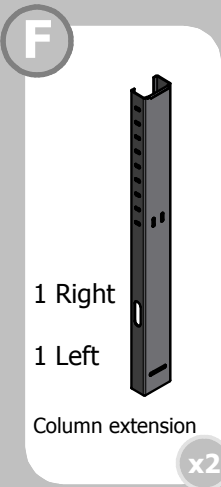
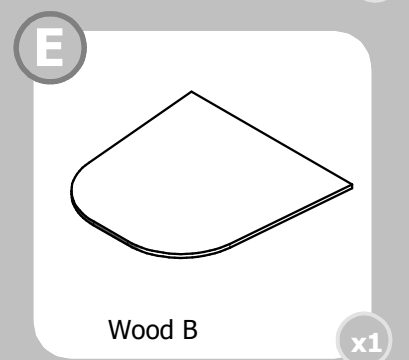
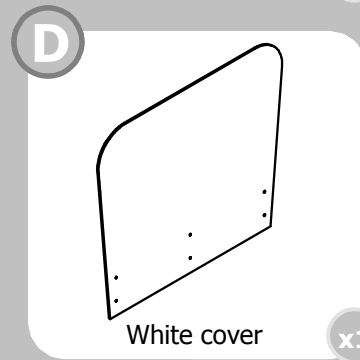
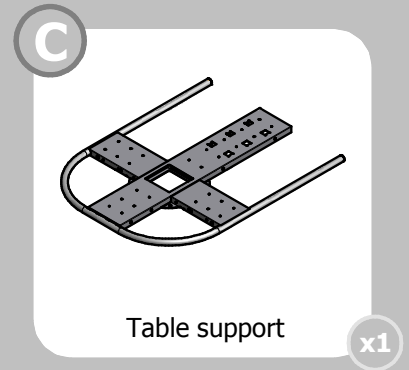
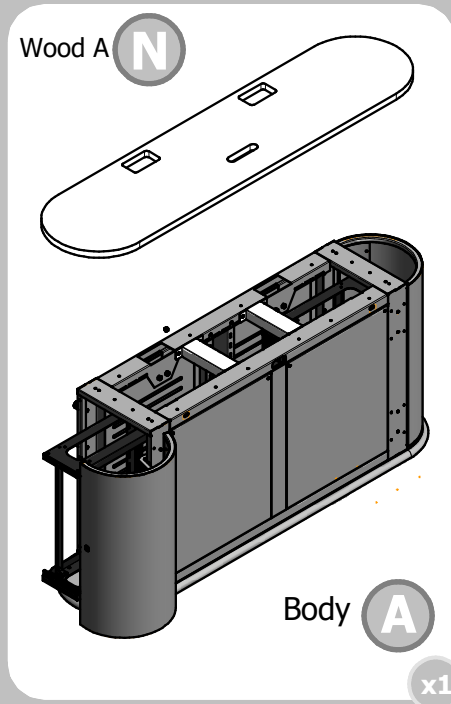
Easy Setup Guide



**SLIM TEAM SPACE
(5 PERSON)**

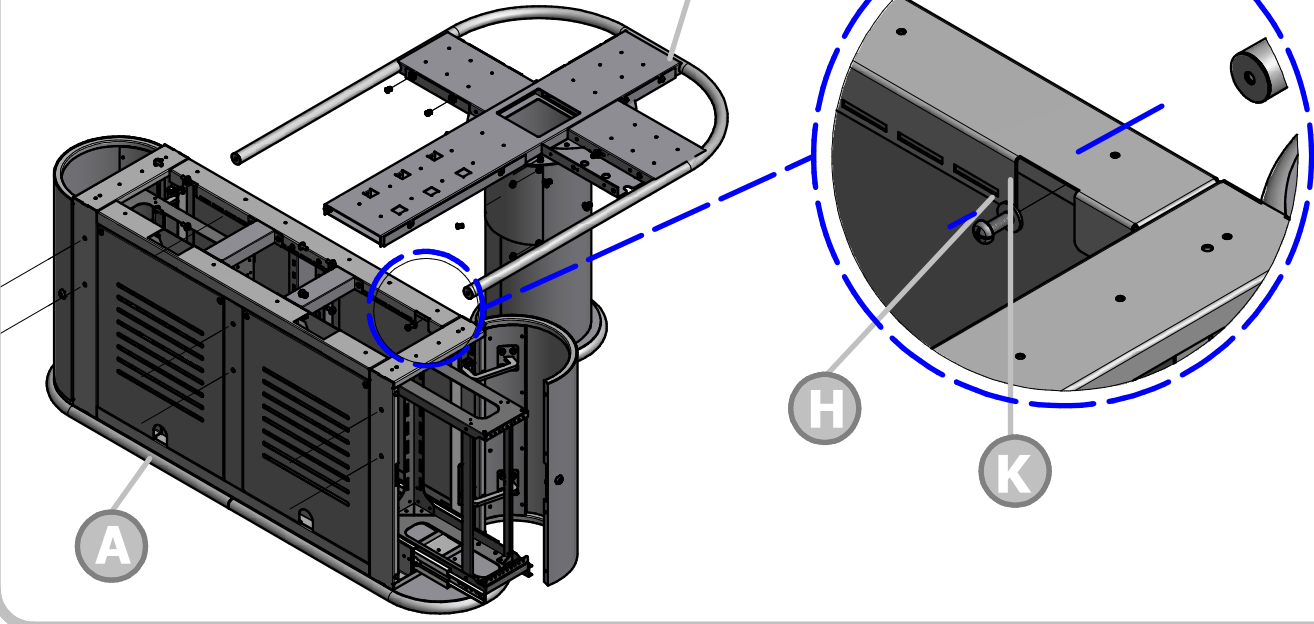
Items not included:
- Phillips screw driver

Items included



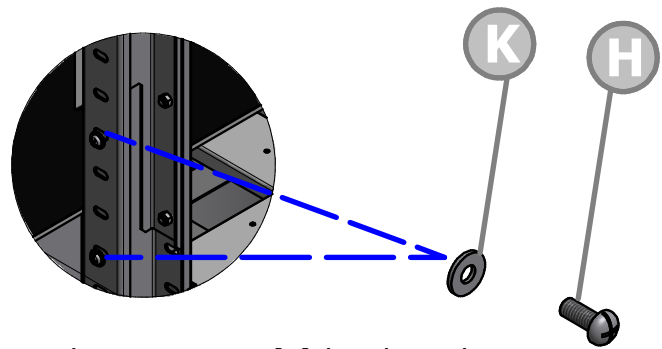
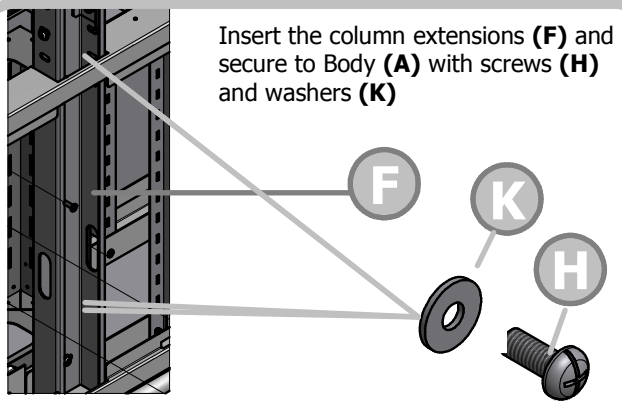
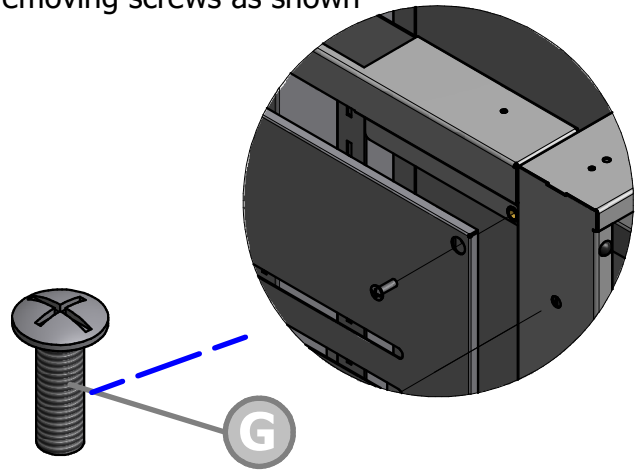
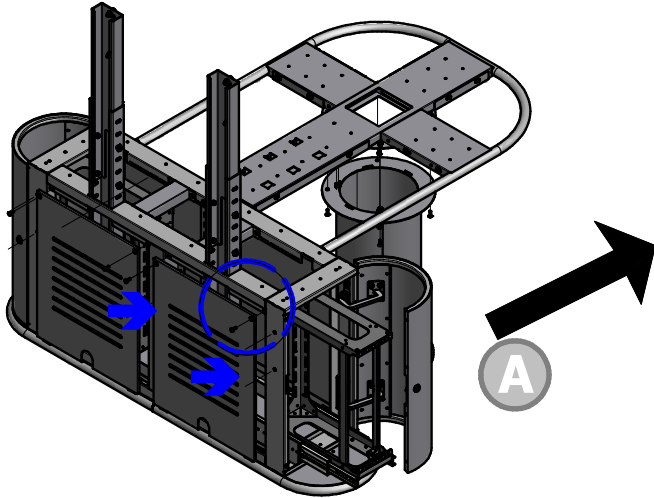
Secure the Table support **(C)** to the base **(B)** with 1/4"x3/4" bolts **(G)**

2 Attach the Table suport **(B)** to Body **(A)** with 5/16 " x 3/4" head bolts **(H)**



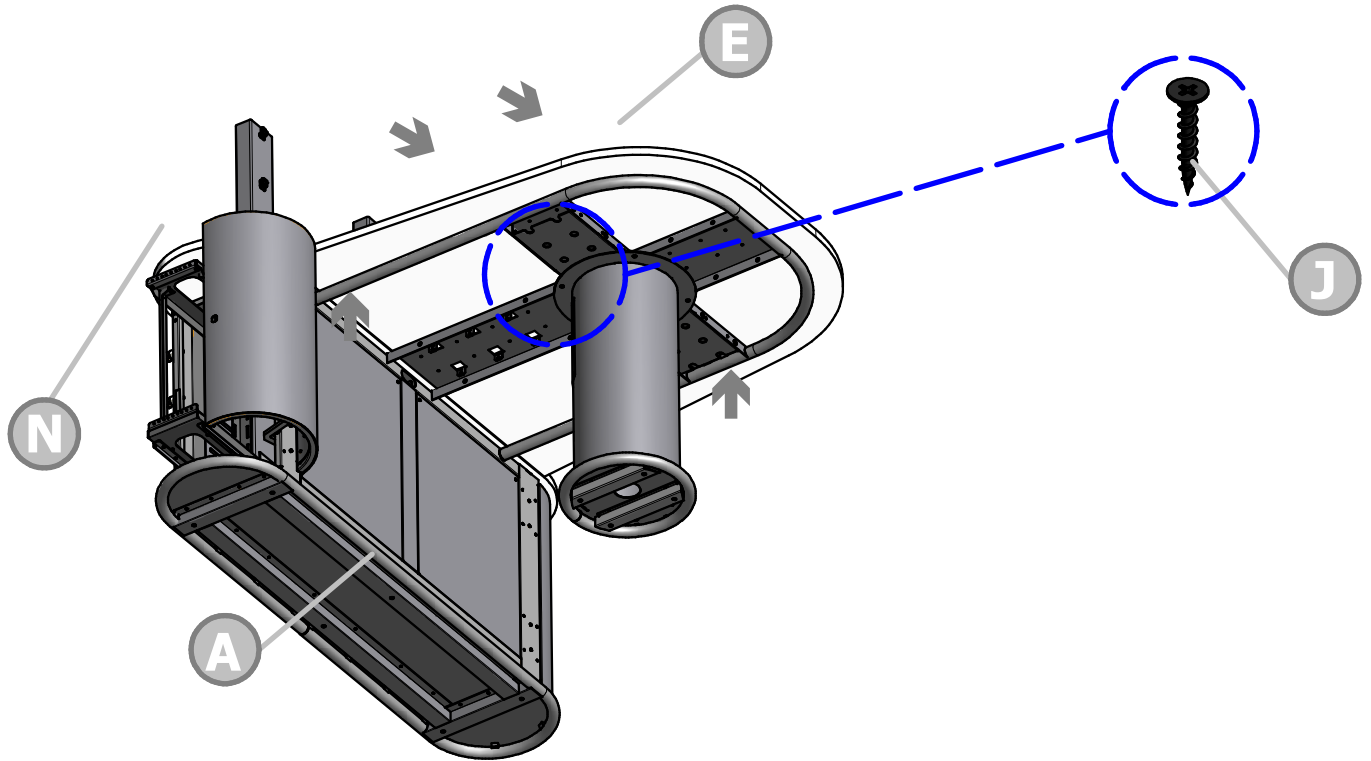
3

Dissasamble the rear panels by removing screws as shown



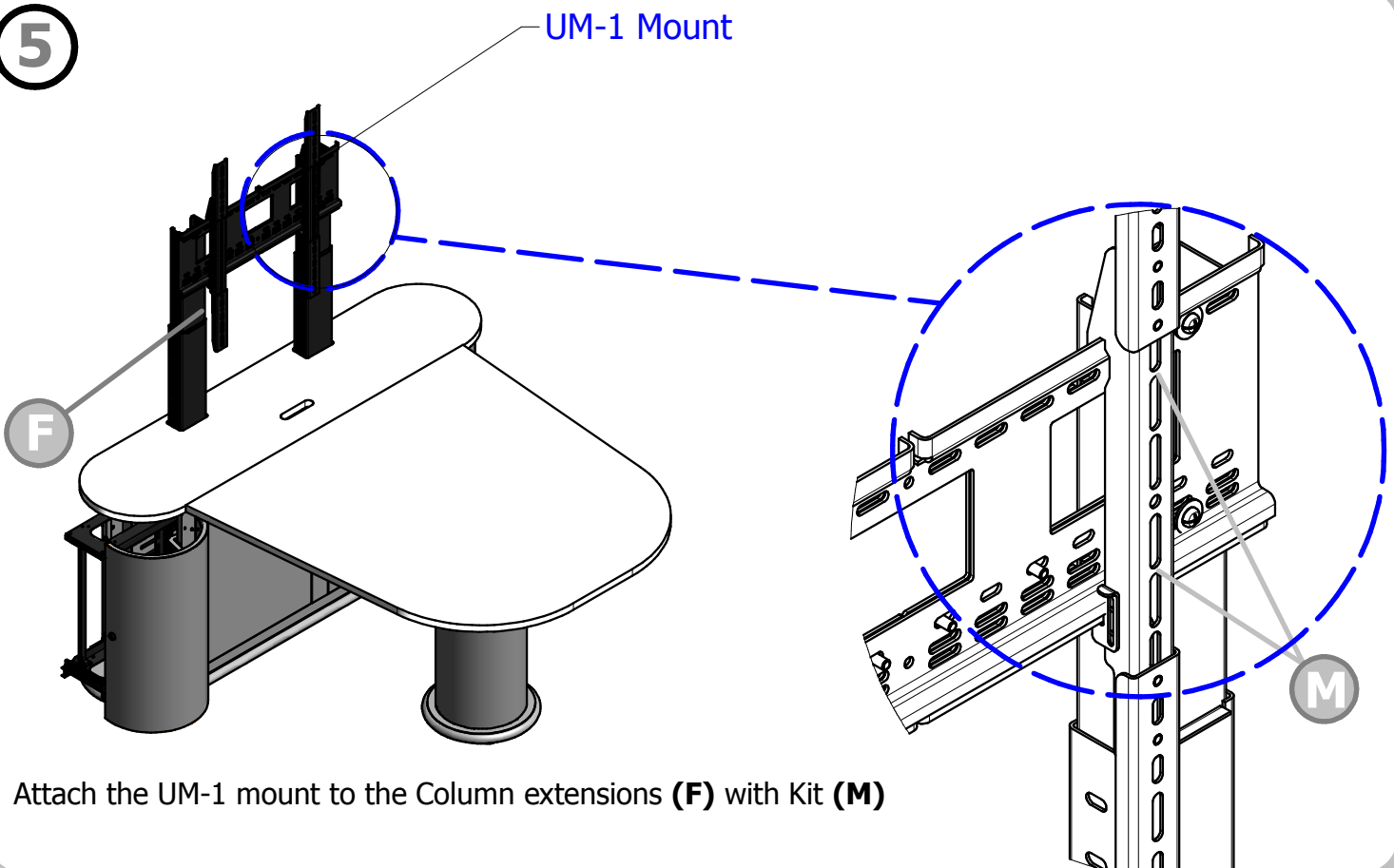
Fit the extensions **(F)** height with screws **(H)** and washers **(K)**

4



Secure the Wood A (**N**) to body and Wood B (**D**) to Table support with 1/4 " x 3/4 " Drywall bolts (**J**) using the holes in the body and support as shown

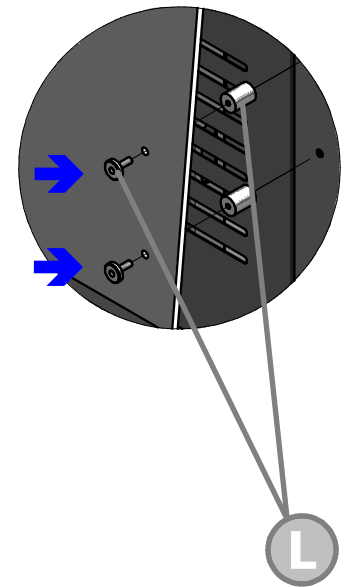
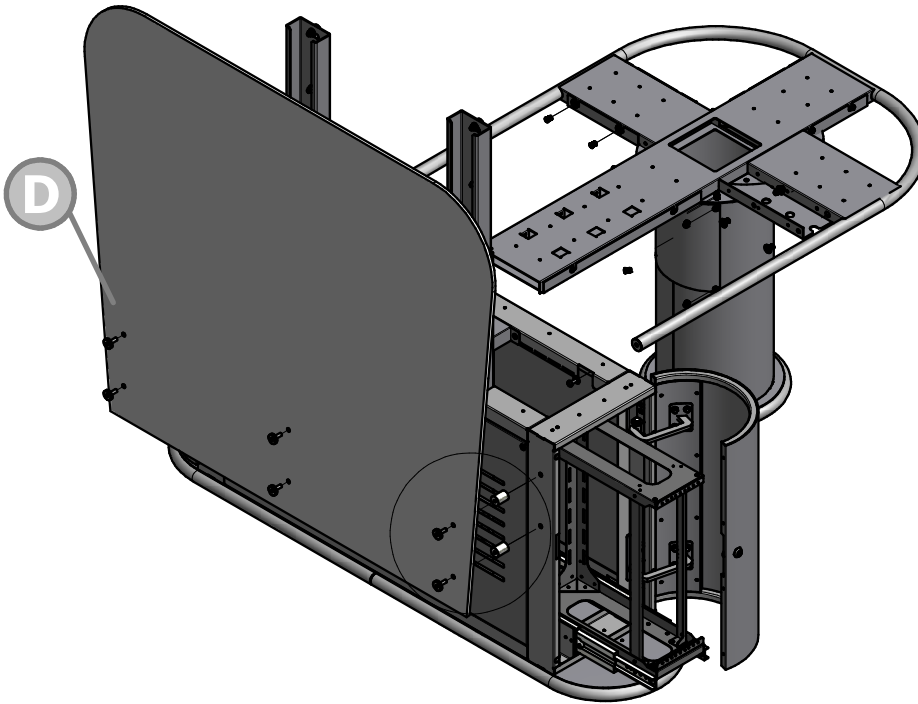
5



Attach the UM-1 mount to the Column extensions (**F**) with Kit (**M**)

7

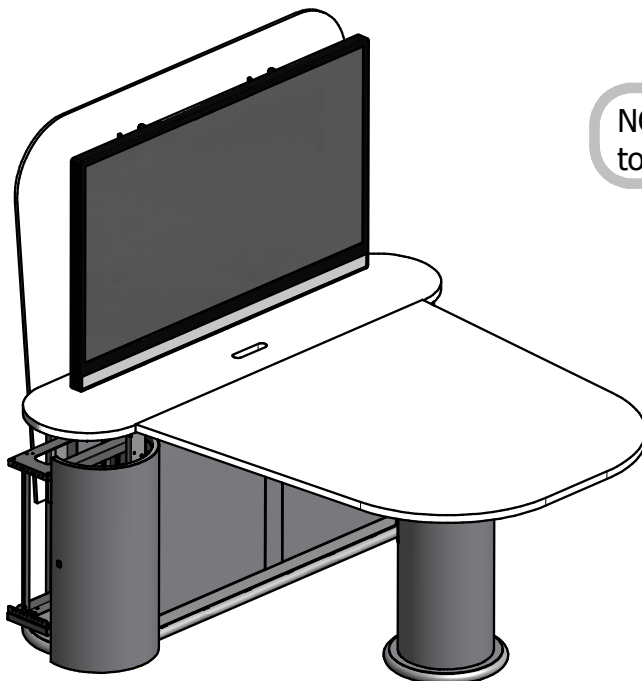
Install the Kit (L) with 5/16x 1/2 " screws (I) to the body



Attach White cover (D) to body (A) with screws 5/16x 3/4 " (L)

NOTE: If the back cover won't be used, go to step 8

8



NOTE: Read the instructions of UM-1 Mount to install the TV