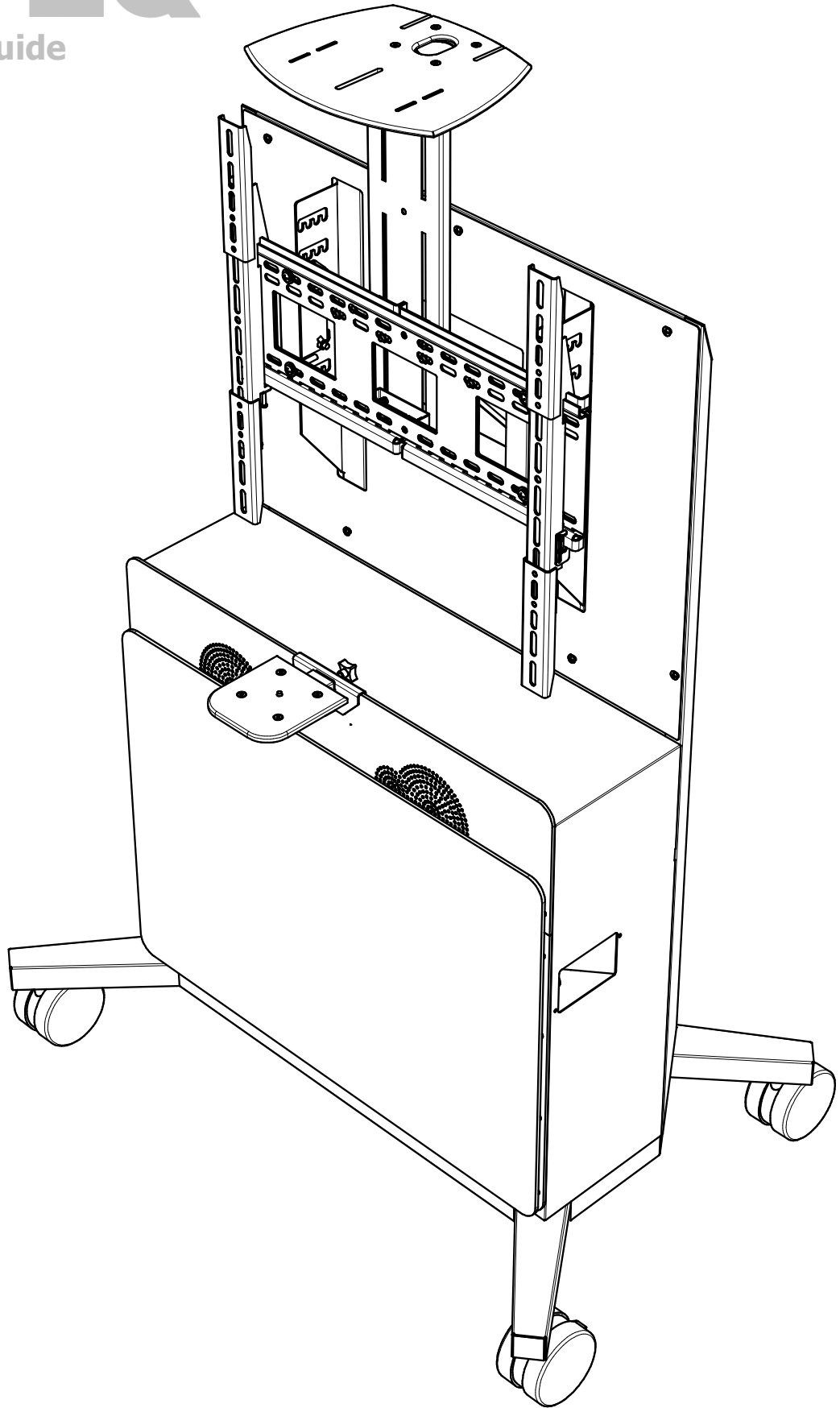


# AVTEQ

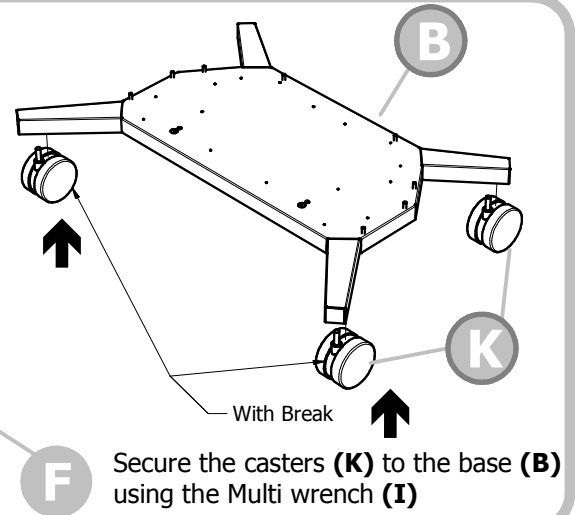
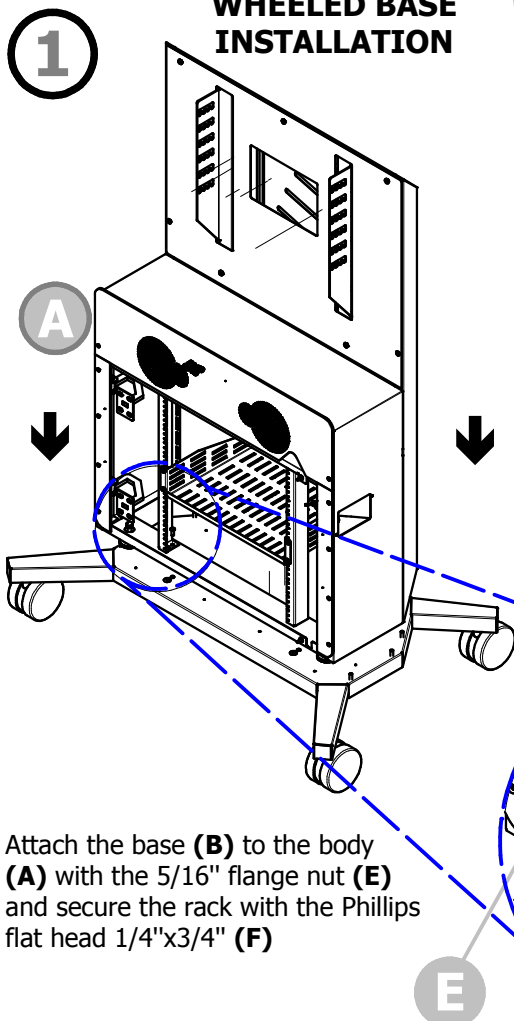
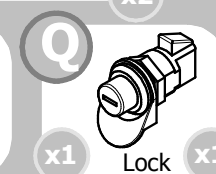
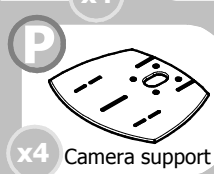
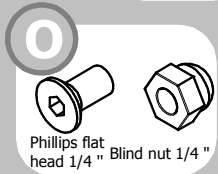
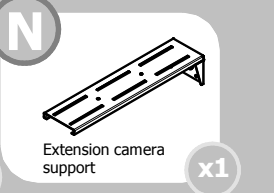
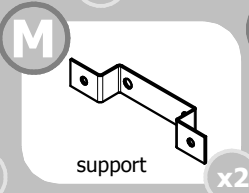
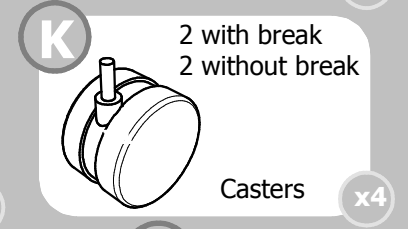
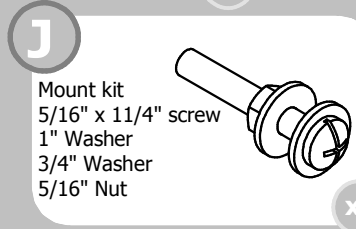
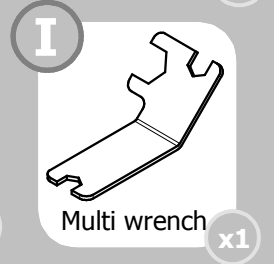
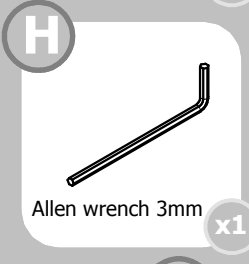
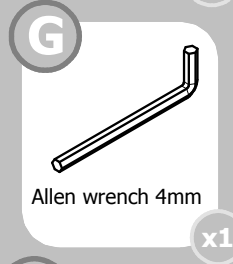
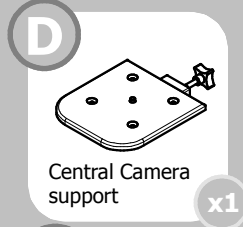
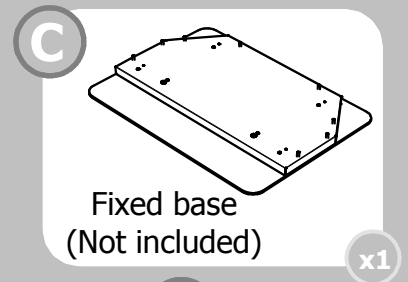
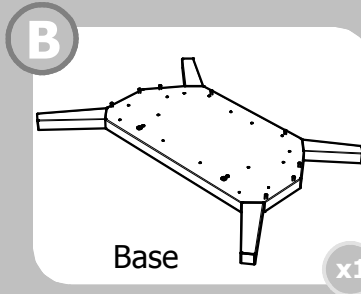
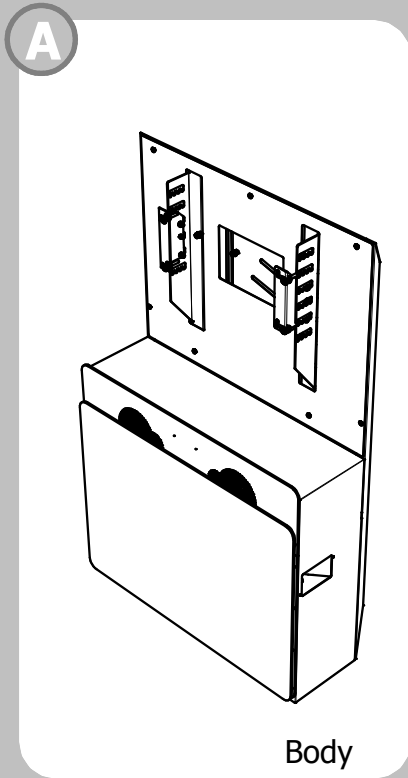
Easy Setup Guide



# ELT 2100

Items not included:  
 - Phillips screw driver  
 - Fixed base

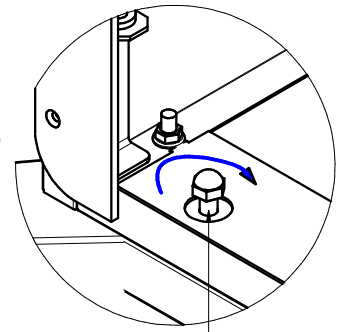
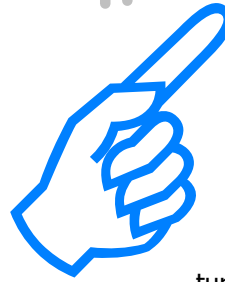
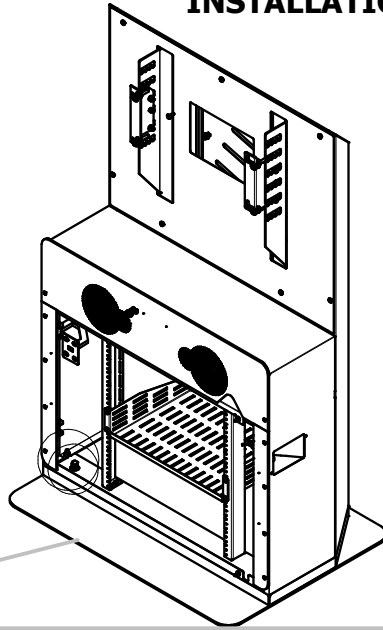
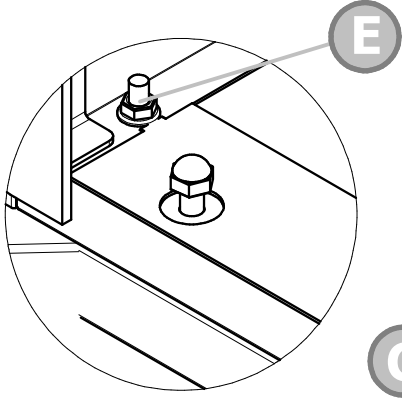
# Items included



1

Attach the base (C) to the body (A) with the 5/16" flange nut (E) and secure the rack with the Phillips flat head 1/4"x3/4" (F)

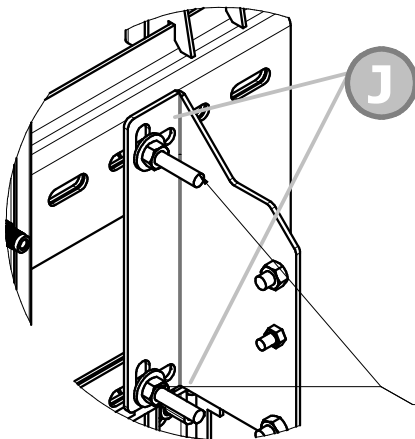
### FIXED BASE INSTALLATION



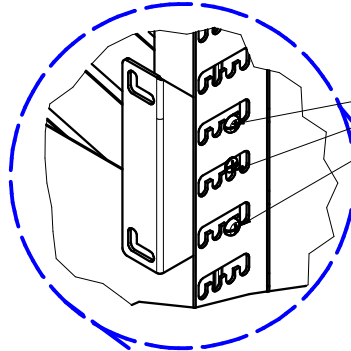
turn the blind nuts of the base until the pedestal is steady

Note: Fixed base not included

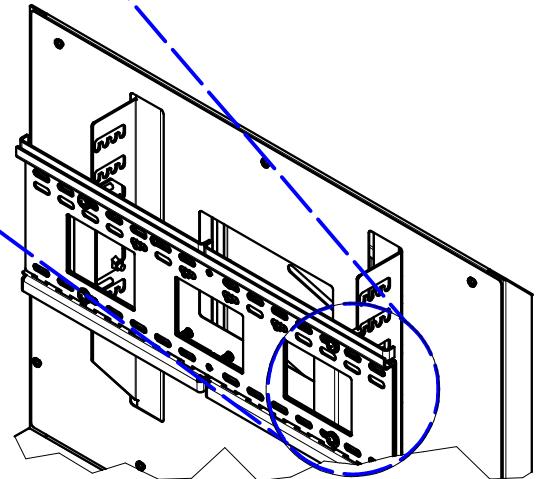
2



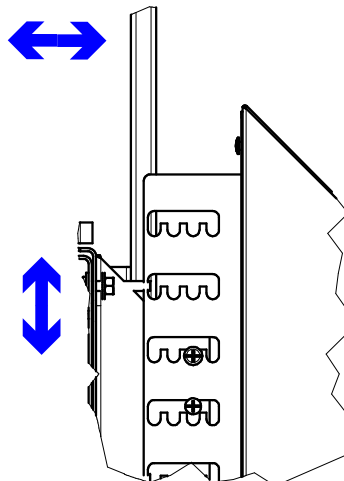
Use screws kit (J) and follow screen mount instructions



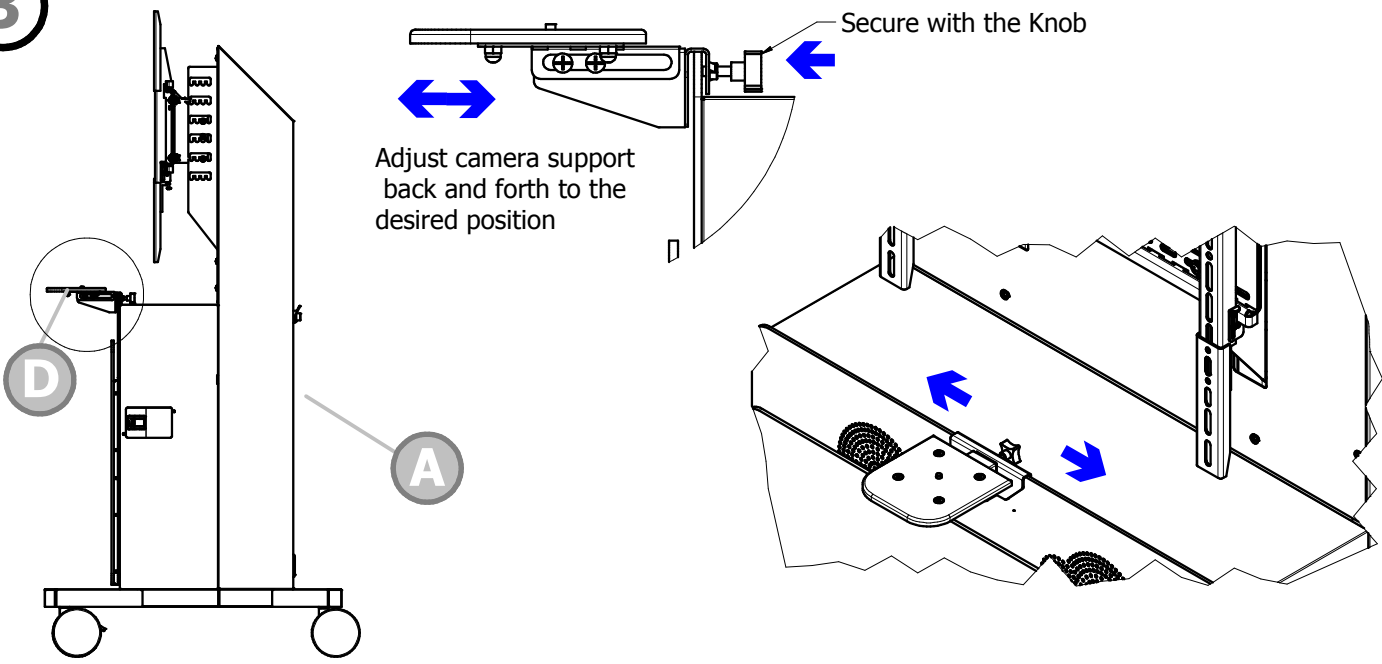
Place screen at desired height and tighten screws



Adjust mount support horizontally and vertically by using the slots

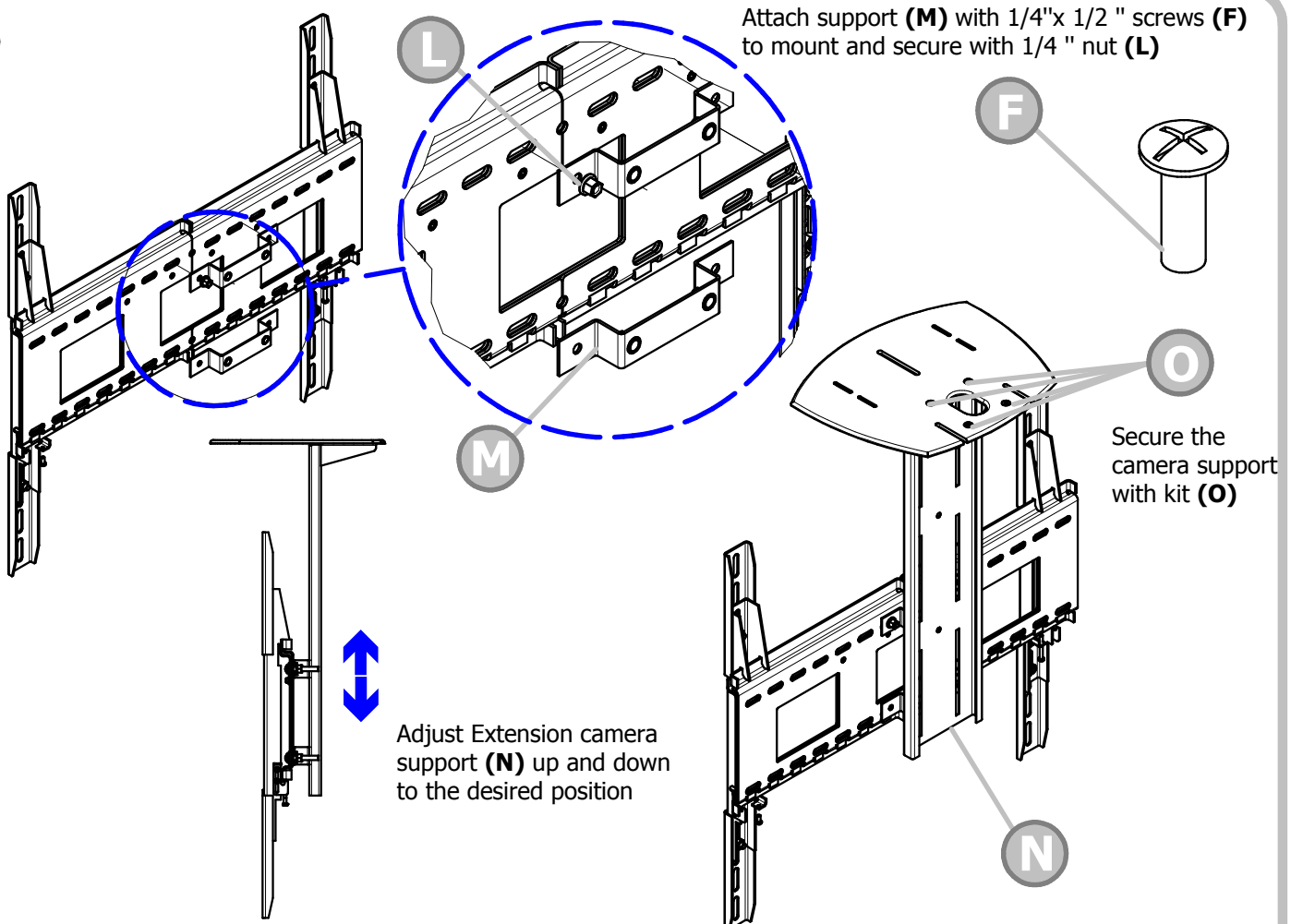


3



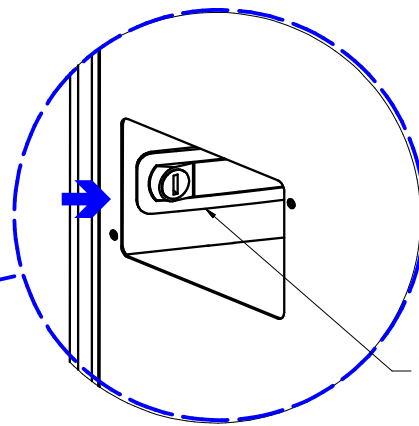
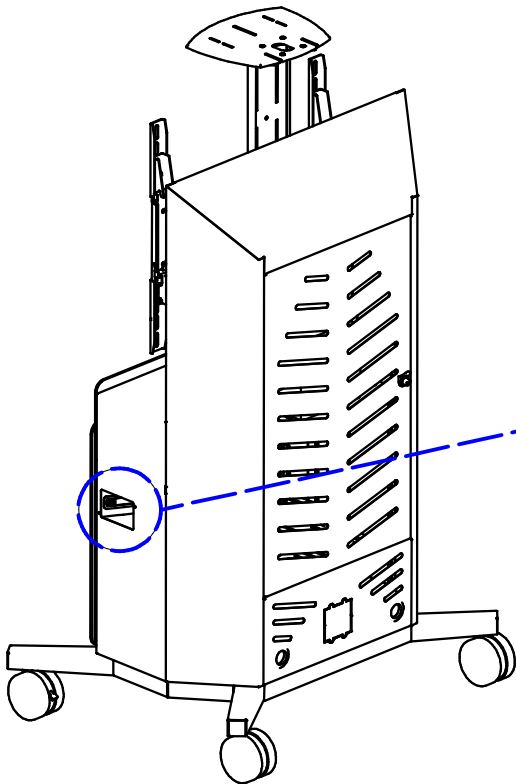
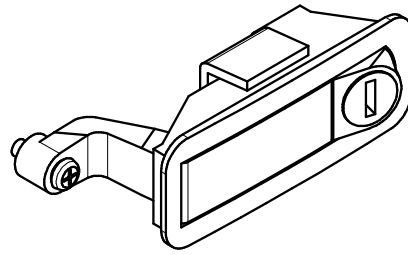
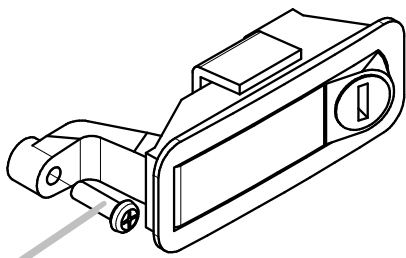
Attention: Follow this step in case to use Central camera support

4



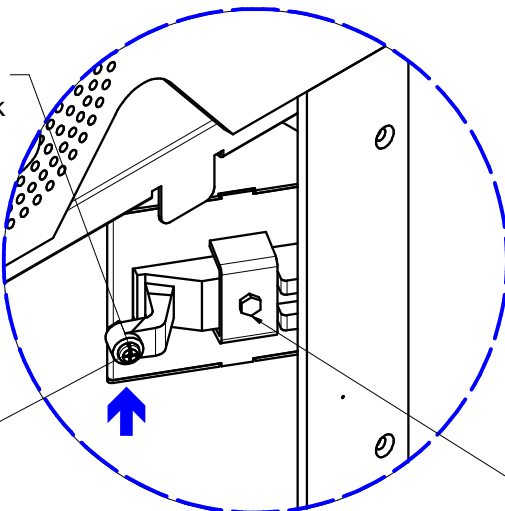
Attention: Follow this step in case to use Extension camera support

# Lock installation

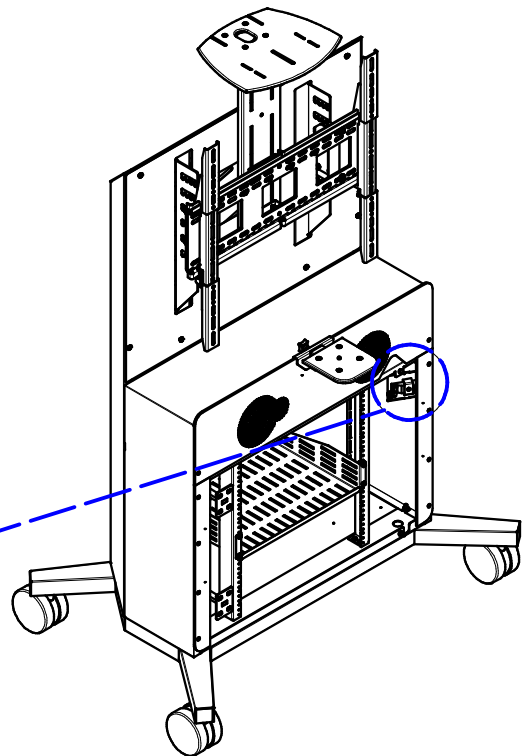


Place the lock

Install M5X15 screw  
on the Lock

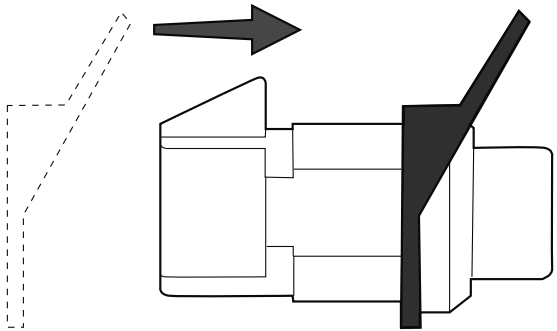
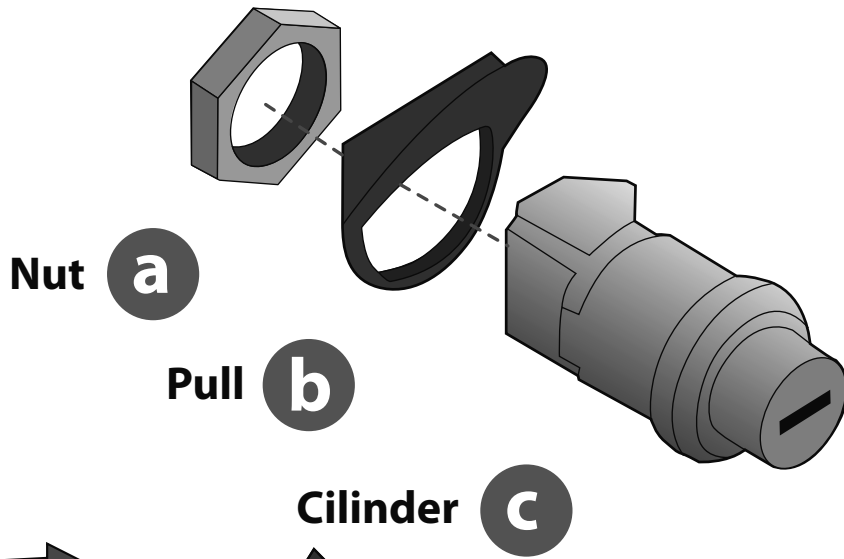


R

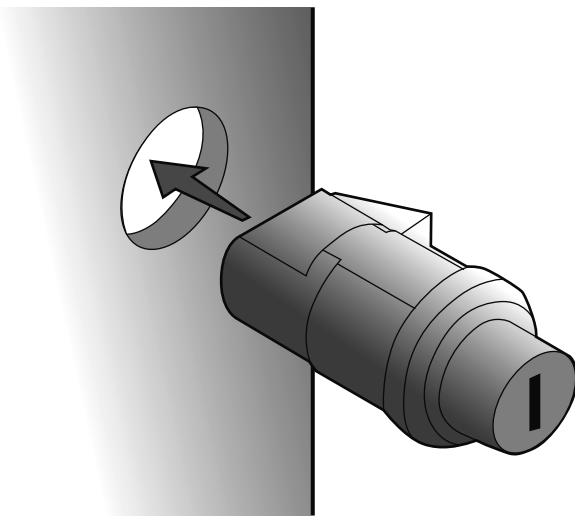


Secure with a Lock screw

# Lock Assembly



- 1** Slide Pull over Cylinder. The Flange must be as shown in the diagram



- 2** Slide Cylinder through hole in glass as shown in diagram

- 3** Twist Nut onto Cylinder as shown in diagram. Ensure that it's placed in the correct position as shown in diagram.

