

Front

Top

Side

Bottom

Holes for drywall screws

1.796 recessed into wall

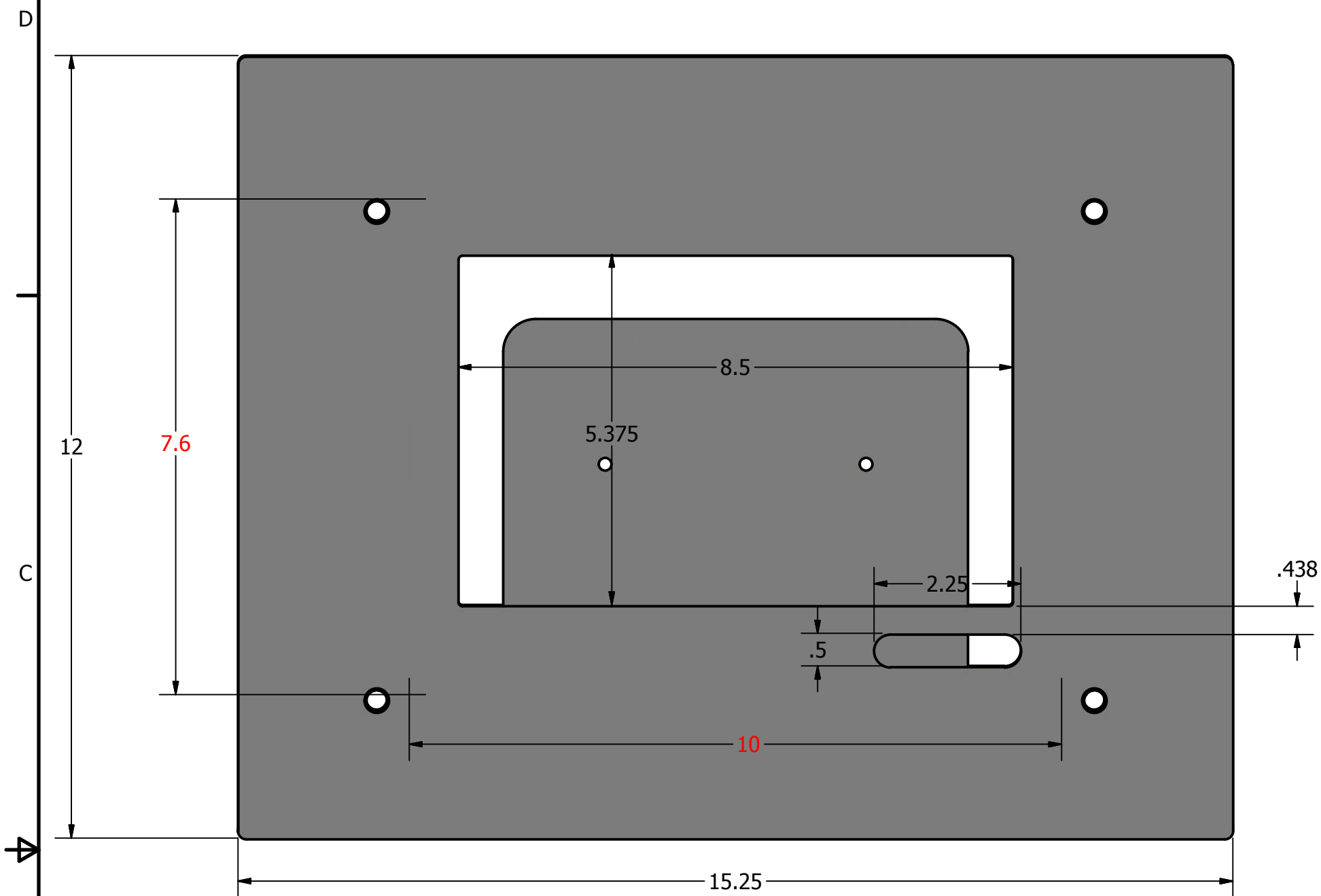
Ø1.25 THRU

Ø2

THIS DOCUMENT CONTAINS CONFIDENTIAL AND PROPRIETARY INFORMATION THAT CANNOT BE REPRODUCED OR DIVULGED, IN WHOLE OR IN PART, WITHOUT WRITTEN AUTHORIZATION FROM AVTEQ Inc. Dallas TX 75247, (214) 905 9001, AVTEQ.net

DRAWN jtapley	1/26/2016	AVTEQ®		
CHECKED	10/30/2018			
QA		TITLE		
MFG		C10-WM		
APPROVED	10/4/2016	SIZE	DWG NO	REV
		C	C10-WMP website	6
		SCALE	Inches	SHEET 1 OF 2
		1/2		

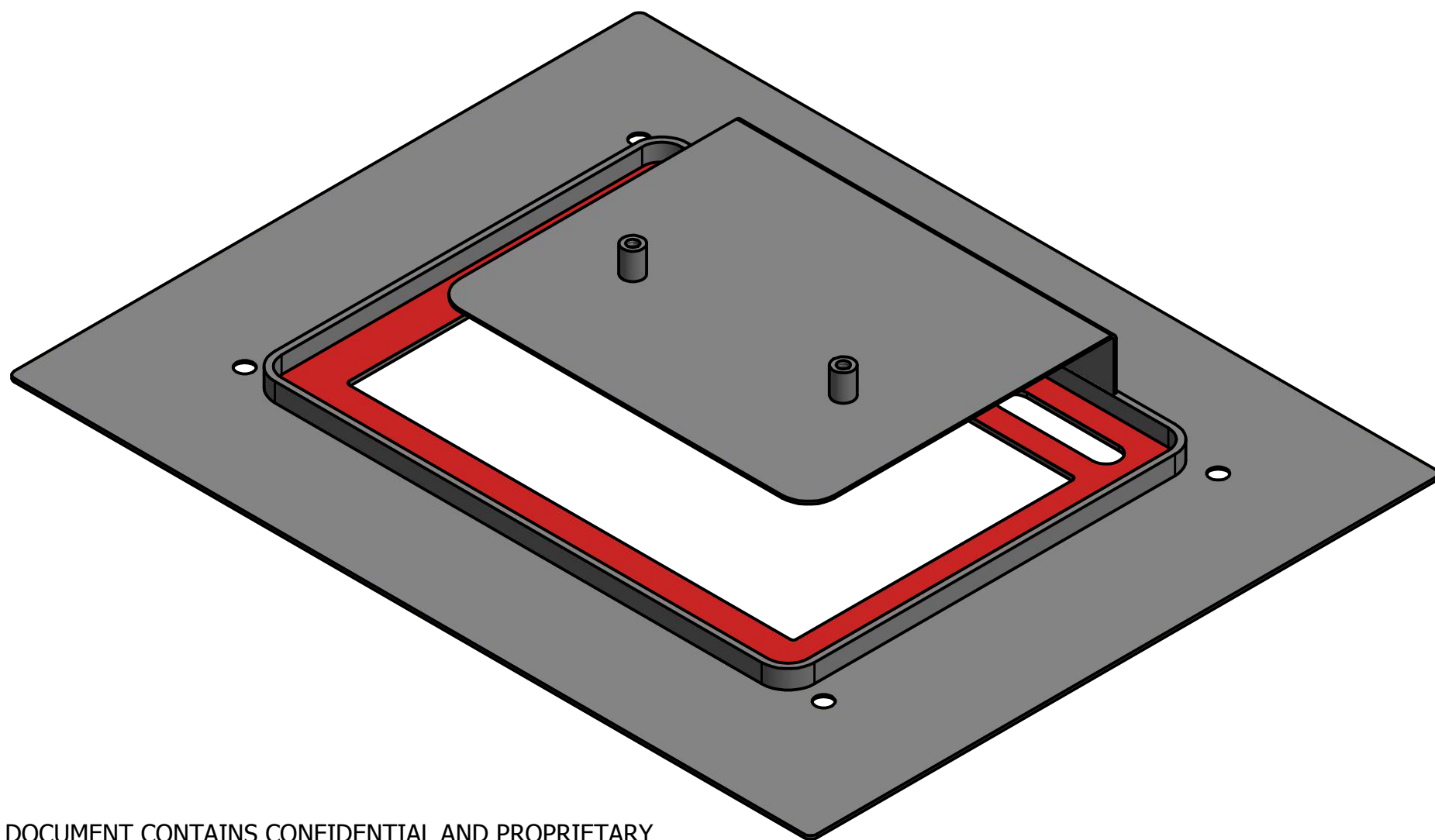
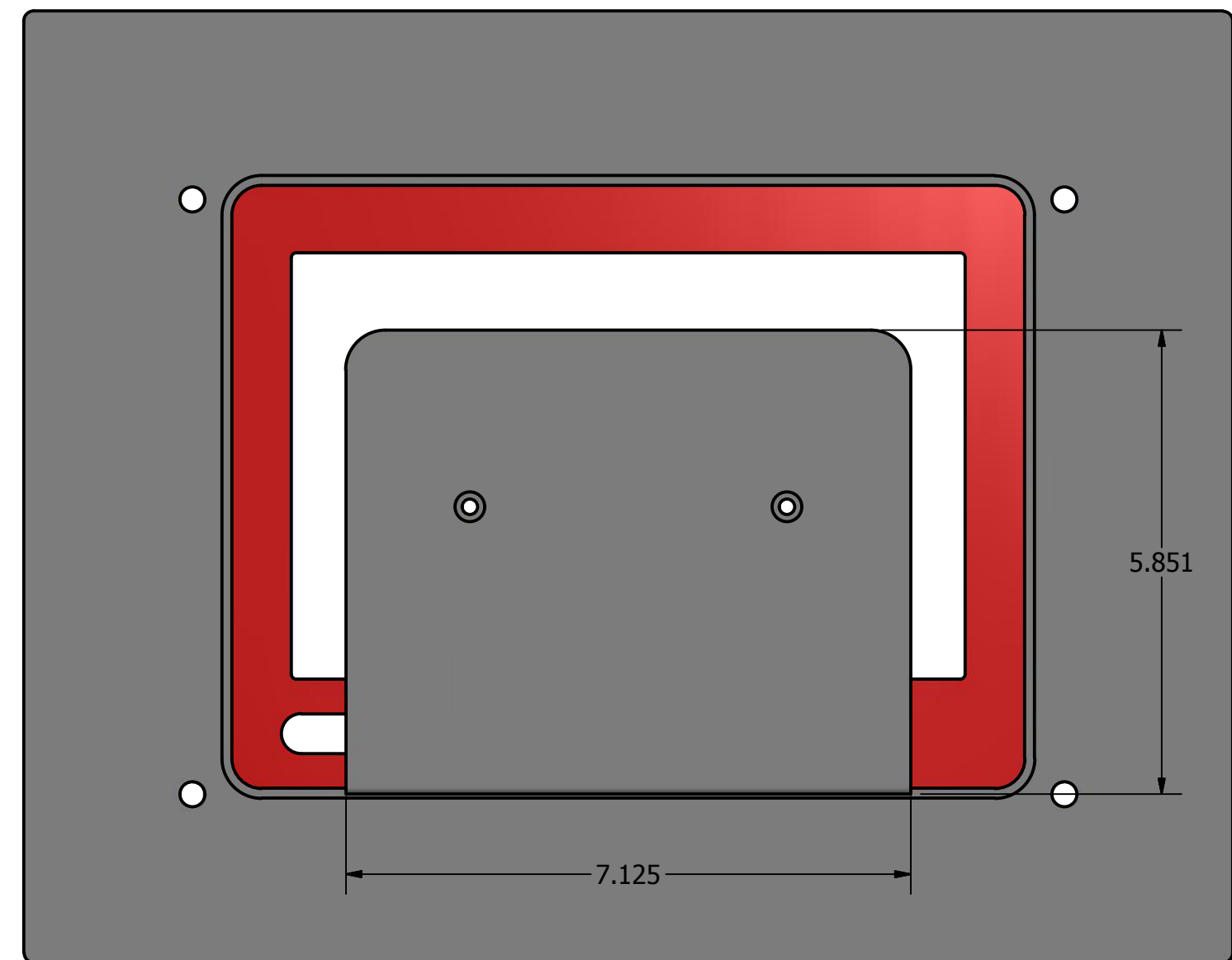
Front View:



Side View:



Back View:



DRAWN jtapley	1/26/2016	AVTEQ [®]		
CHECKED	3/23/2018			
QA		TITLE C10-WM		
MFG				
APPROVED	10/4/2016	SIZE C	DWG NO C10-WMP website	REV 6
Material: 16ga sheet metal		SCALE 1/2	Inches	SHEET 2 OF 2

THIS DOCUMENT CONTAINS CONFIDENTIAL AND PROPRIETARY INFORMATION THAT CANNOT BE REPRODUCED OR DIVULGED, IN WHOLE OR IN PART, WITHOUT WRITTEN AUTHORIZATION FROM AVTEQ Inc. Dallas TX 75247, (214) 905 9001, AVTEQ.net