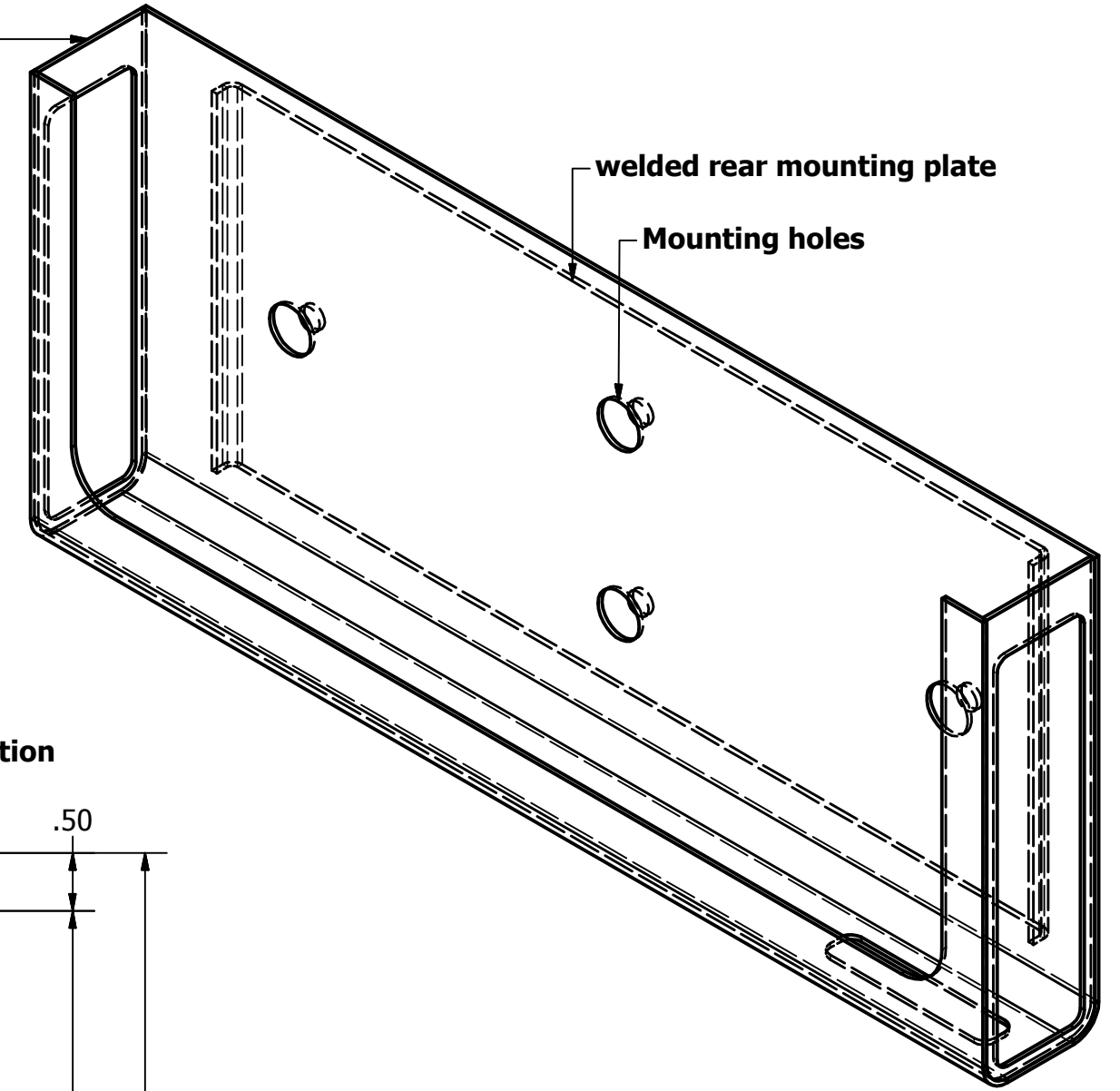


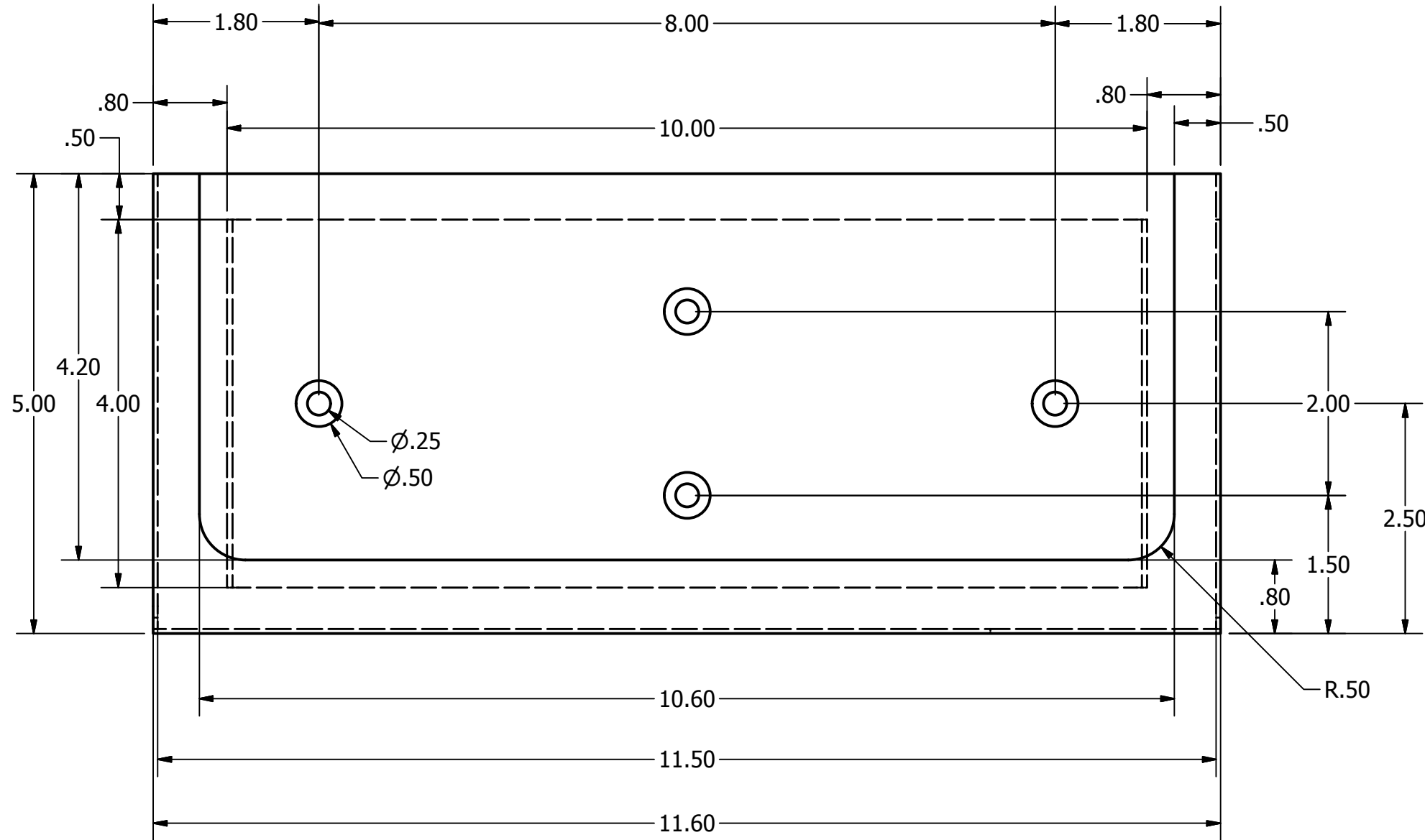
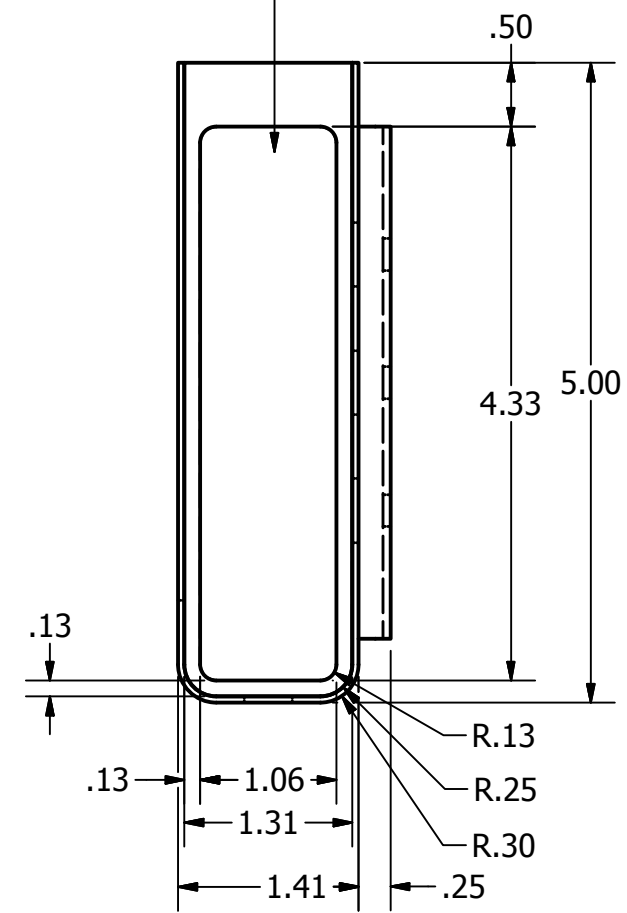
AVTEQ

Polycom Group 500 wall mount

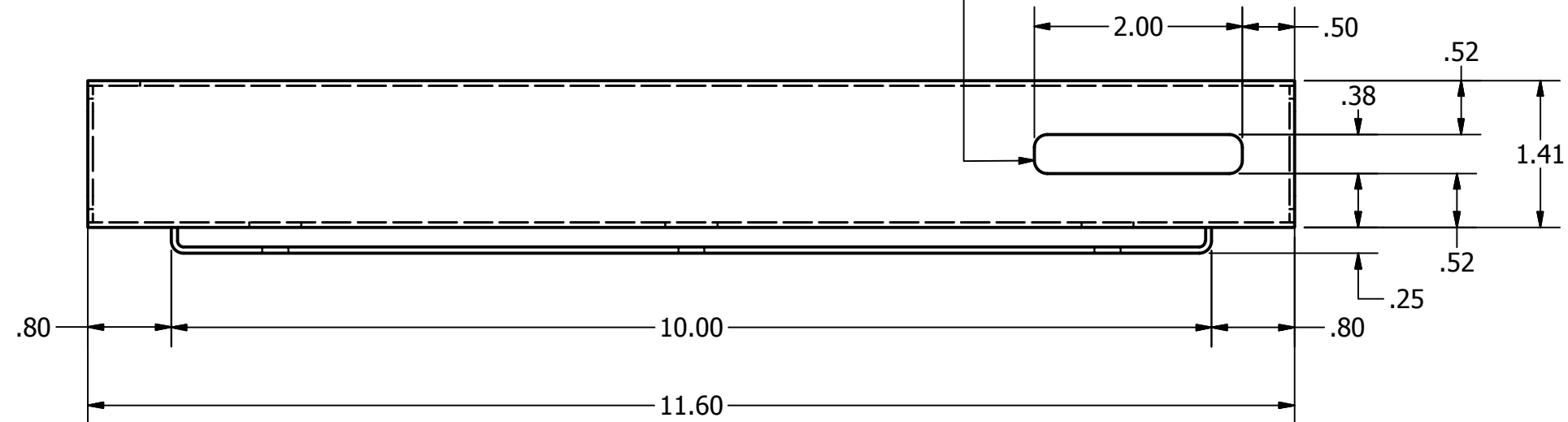
Welded side plates, tack together from the outside,
(inside needs to be free of obstructions)



Side openings for ventilation



Power and IR window



DRAWN jrod	1/17/2014		
CHECKED		TITLE	
QA			
MFG			
APPROVED			
		SIZE C	DWG NO
		Polycom RealPresence Group 500 Wall	
		SCALE	REV
			SHEET 1 OF 1