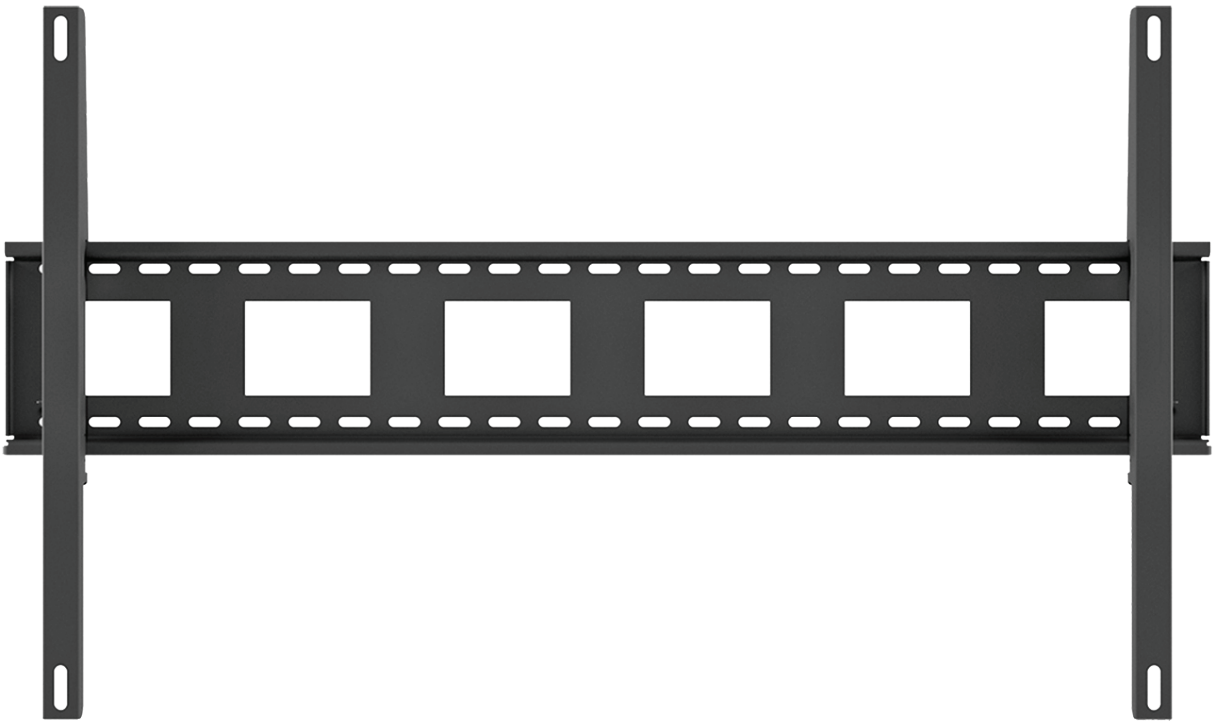
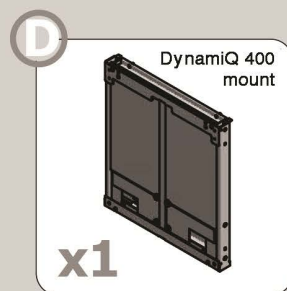
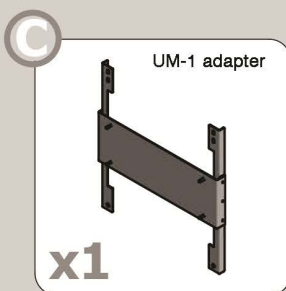
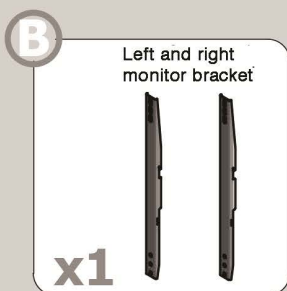


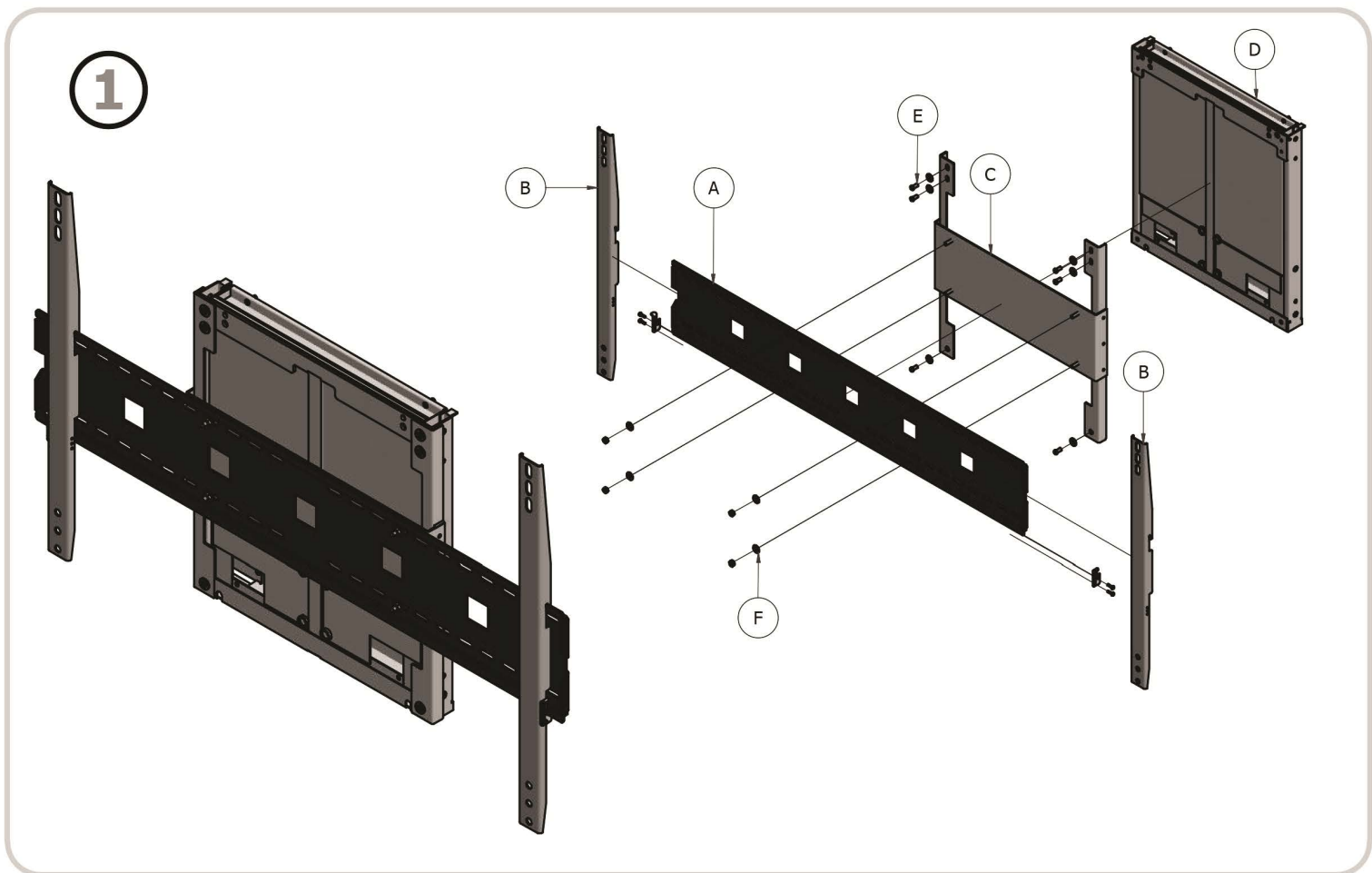
EASY SETUP GUIDE

Cisco Webex Board Mounting Kit
for the DynamiQ 400 Mount

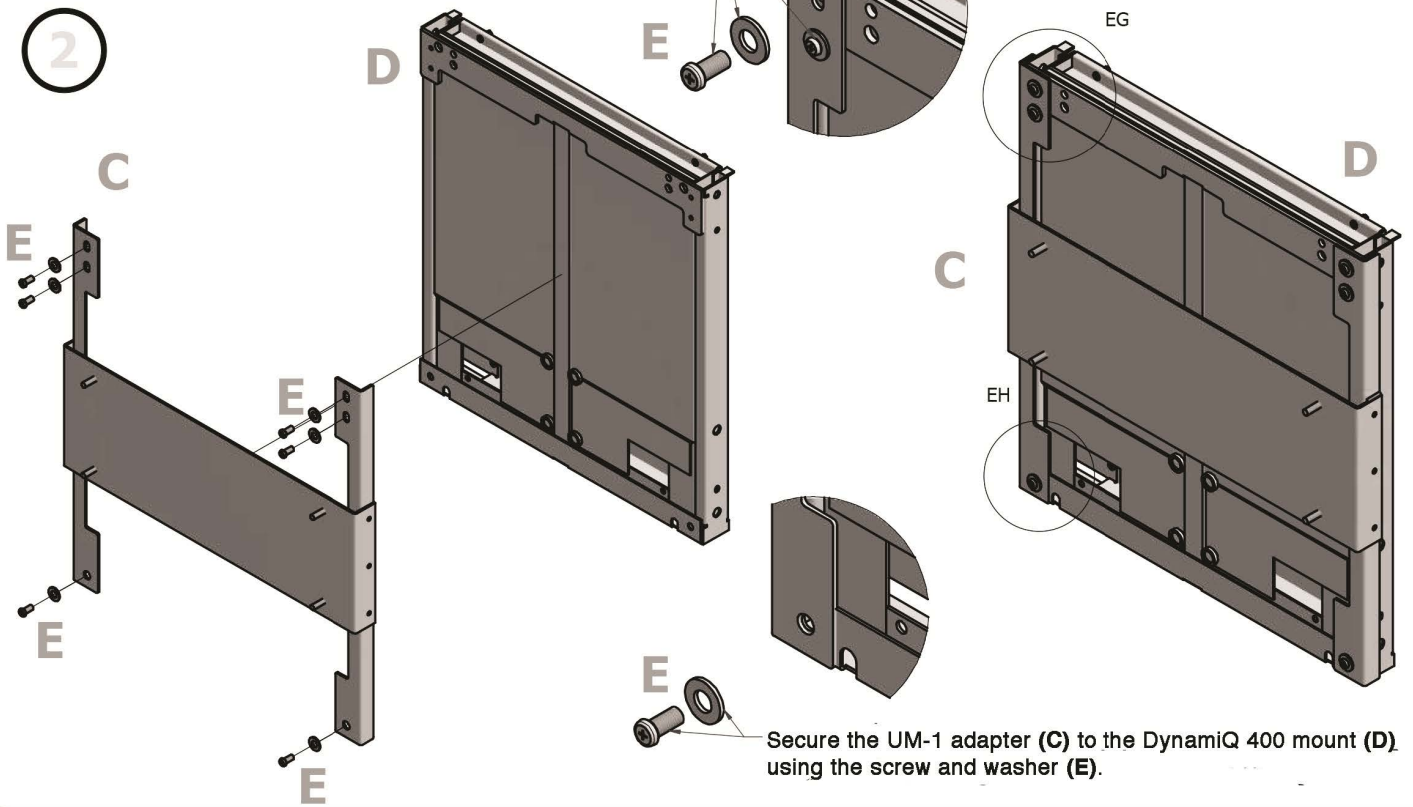




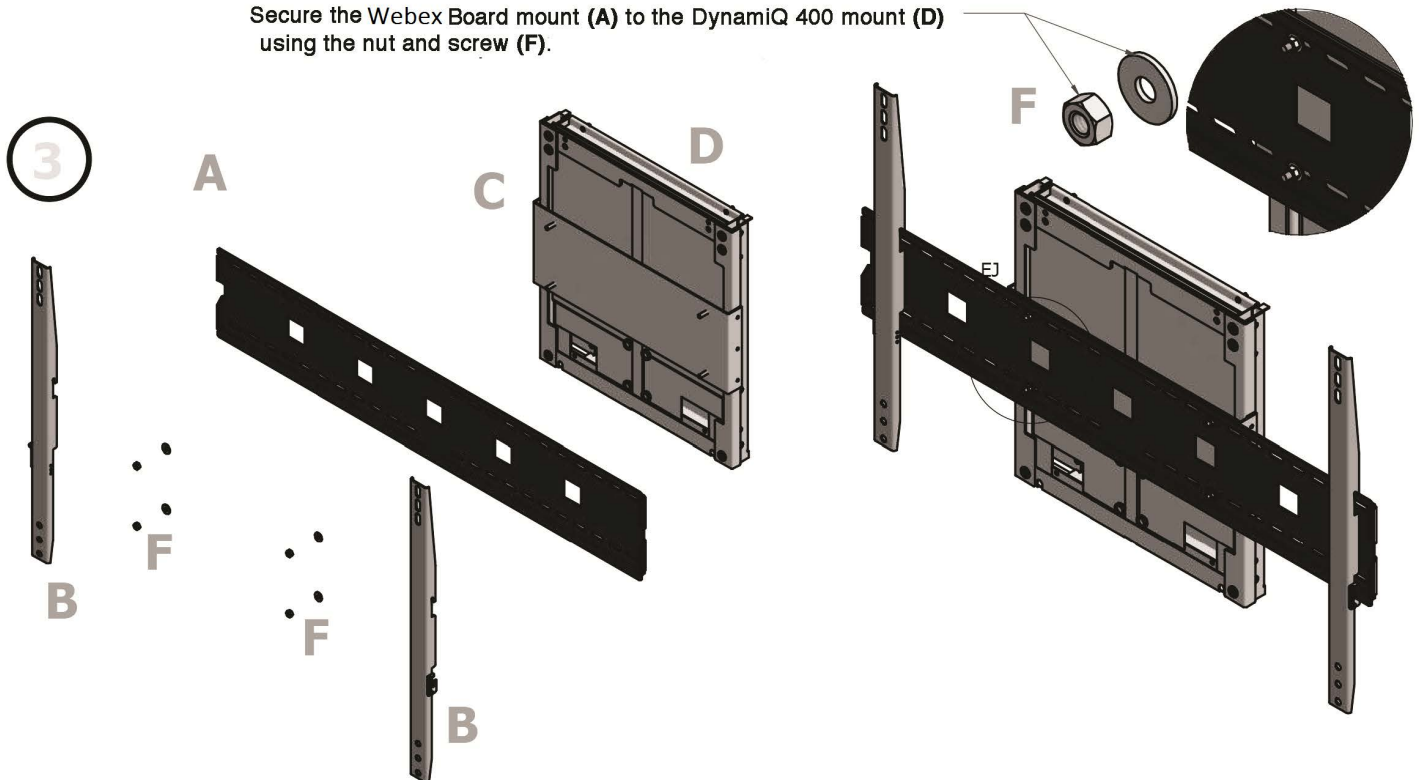
Items included



Secure the UM-1 adapter (C) to the DynamiQ 400 mount (D) using the screw and washer (E).

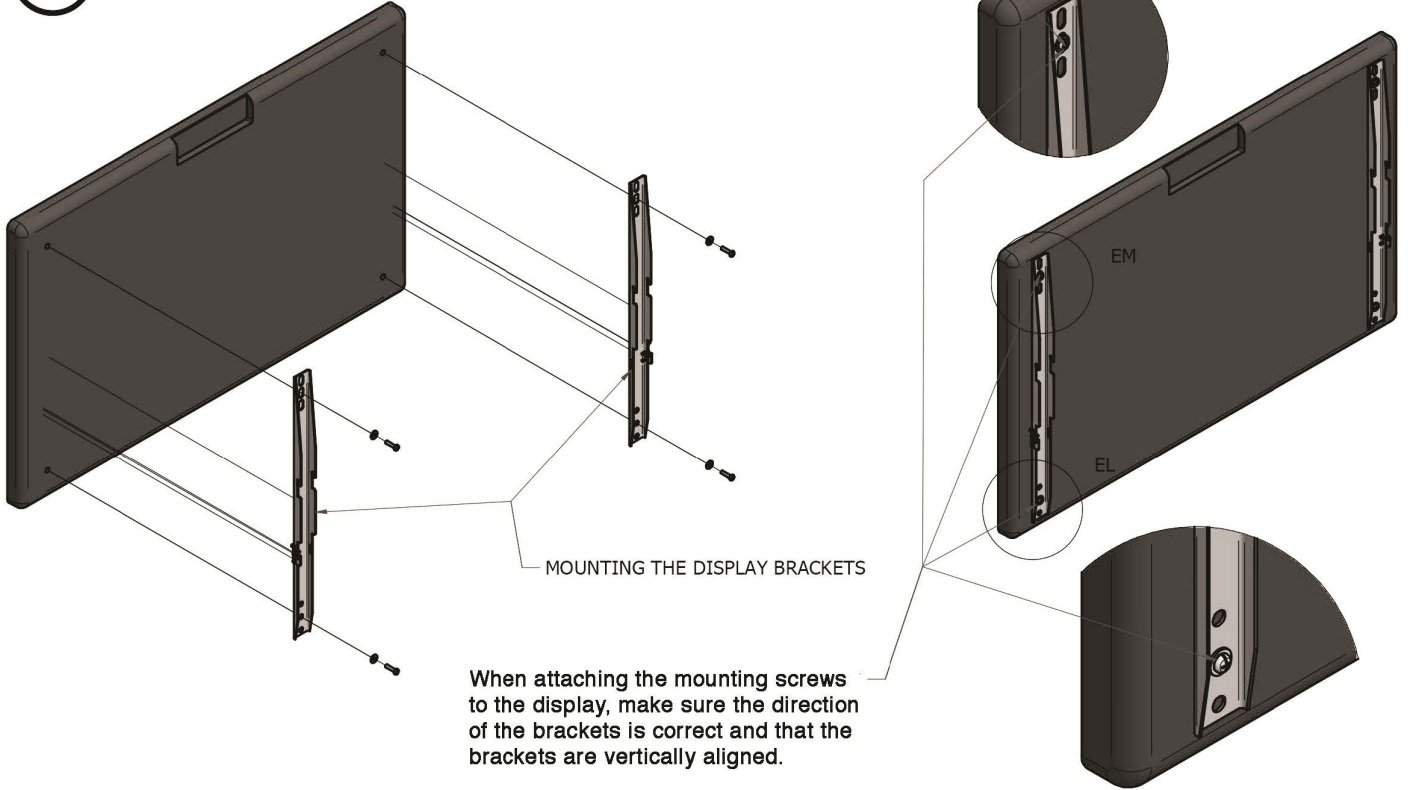


Secure the Webex Board mount (A) to the DynamiQ 400 mount (D) using the nut and screw (F).



4

Secure the right and left mounting brackets (B) to the Cisco Webex Board display using screw and washer (E).



5

Can be adjusted freely

