

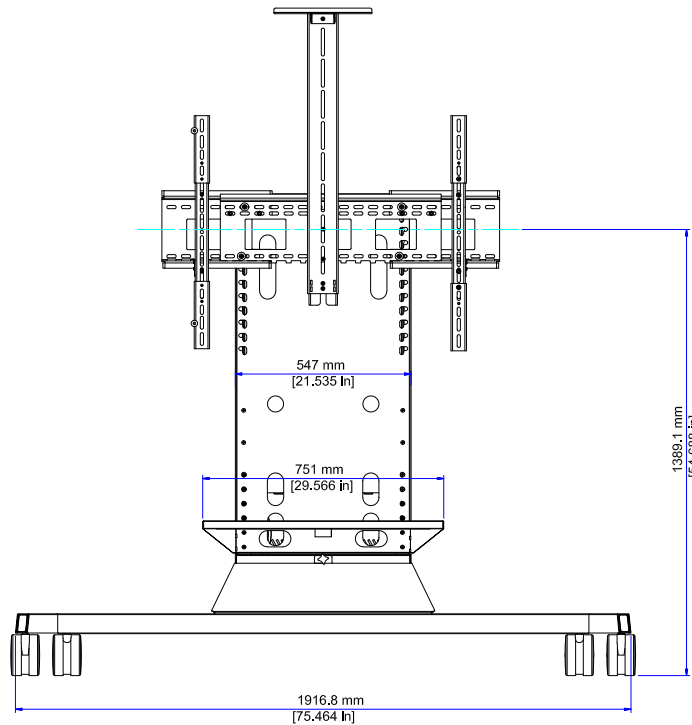
TOP VIEW



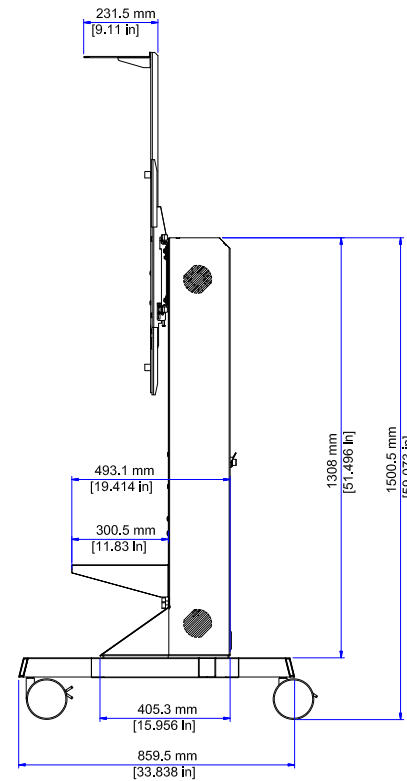
RPX

DIMENSIONAL UNITS
MILIMETERS [INCHES]

THIS IS A DIMENSIONAL DRAWING
SOME DETAILS COULD CHANGE ON FINAL PRODUCT



FRONT VIEW



SIDE VIEW

