

# DynamiQ™ mTilt Cart

The DynamiQ™ mTilt is height adjustable tilting mobile cart with motorized height adjustable capabilities. The double-column design provides the stability needed to work with large interactive touchscreens up to 75”.

The wired remote controller may be placed at a convenient and easy-to-reach location, allowing the user to adjust the height of the screen safely and quietly. The 26” travel will guarantee full screen access for all users, while the 90-degree tilt feature will allow multiple users to access the screen at the same time. The motorized stand has an anticollision feature to prevent accidental pinching, when the system is moving and senses an obstruction it will stop and retreat. In its lowest position, the monitor allows easy access for users in wheelchairs.

A lockbox is located on the back of the VESA mounting box, which safely stores the electric controls. The lockbox also may be used for a mini PC or other small equipment.

## FEATURES

- Supports a single display up to 209 lbs.
- Motorized height adjustability
- Wired remote-control, no battery needed
- Fast height adjust motor at 1.5” per second travel speed
- Lock-box for safe electronic control storage
- 90-degree tilt feature
- 26” travel allows full access for all users
- Wheelchair user accessibility



DynamiQ mTilt tilted, front view

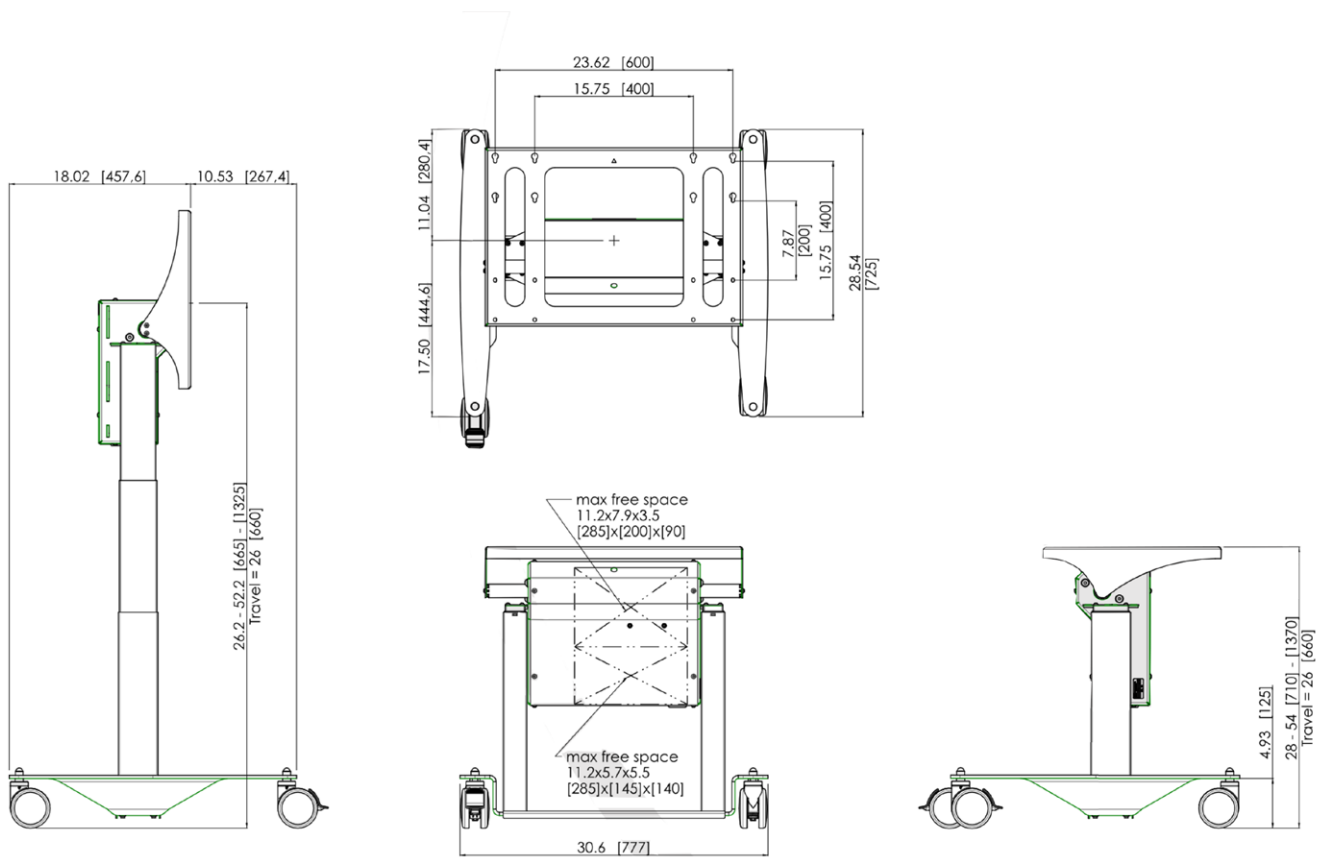


DynamiQ mTilt standing, front view



DynamiQ mTilt standing, back view

## DIMENSIONS



## SPECIFICATIONS

Part Number	AVT-487A03
Load Capacity & Display Size	209 lbs. (up to 75 inches)
Dimensions (HxWxL)	28 x 31 x 29 inches (711 x 787 x 737 mm)
Vertical Adjustment	26.2 to 52.2 inches



Call 800.285.8315 or visit [AVTEQ.net](http://AVTEQ.net)