

TMP-300 Telemedicine Cart

The compact TMP-300 telemedicine cart offers a perfect blend of functionality and design for caregivers in hospitals or small clinics. The TMP-300 has a small footprint and smooth gliding casters that easily travel across carpet or hard surface floors.

This highly customizable cart supports a single display and accommodates a variety of technology to provide the ultimate telemedicine solution. The TMP-300 provides an adjustable videoconferencing camera shelf, a pull-out drawer, and a large locking storage area. The TMP-300 telemedicine cart integrates a wide range of technology to bring physicians and patients together for maximum care. For Cisco Webex solutions, the AVTEQ DX80 mounting bracket easily installs the Webex DX80 board on the cart.

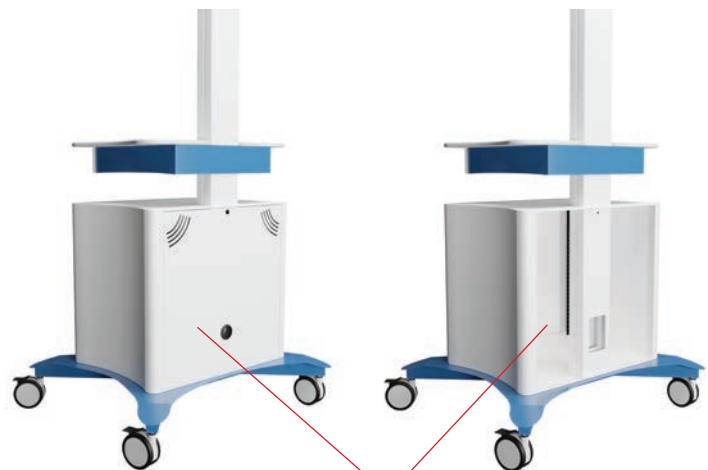
AVTEQ's telemedicine carts are easily cleaned using most commonly used hospital-grade, diluted, non-abrasive, and non-corrosive solutions including ammonia enzyme cleaners, hydrogen peroxide, bleach or alcohol solutions.

FEATURES

- Supports a single display up to 40", dual displays up to 27"
- 11RU
- Videoconferencing camera shelf
- Front locking door
- Removable rear panel
- One slide-out drawer
- 5" dual-wheel casters, two locking
- Rack-mounted medical surge protector
- Cable management features
- 100% solid steel construction

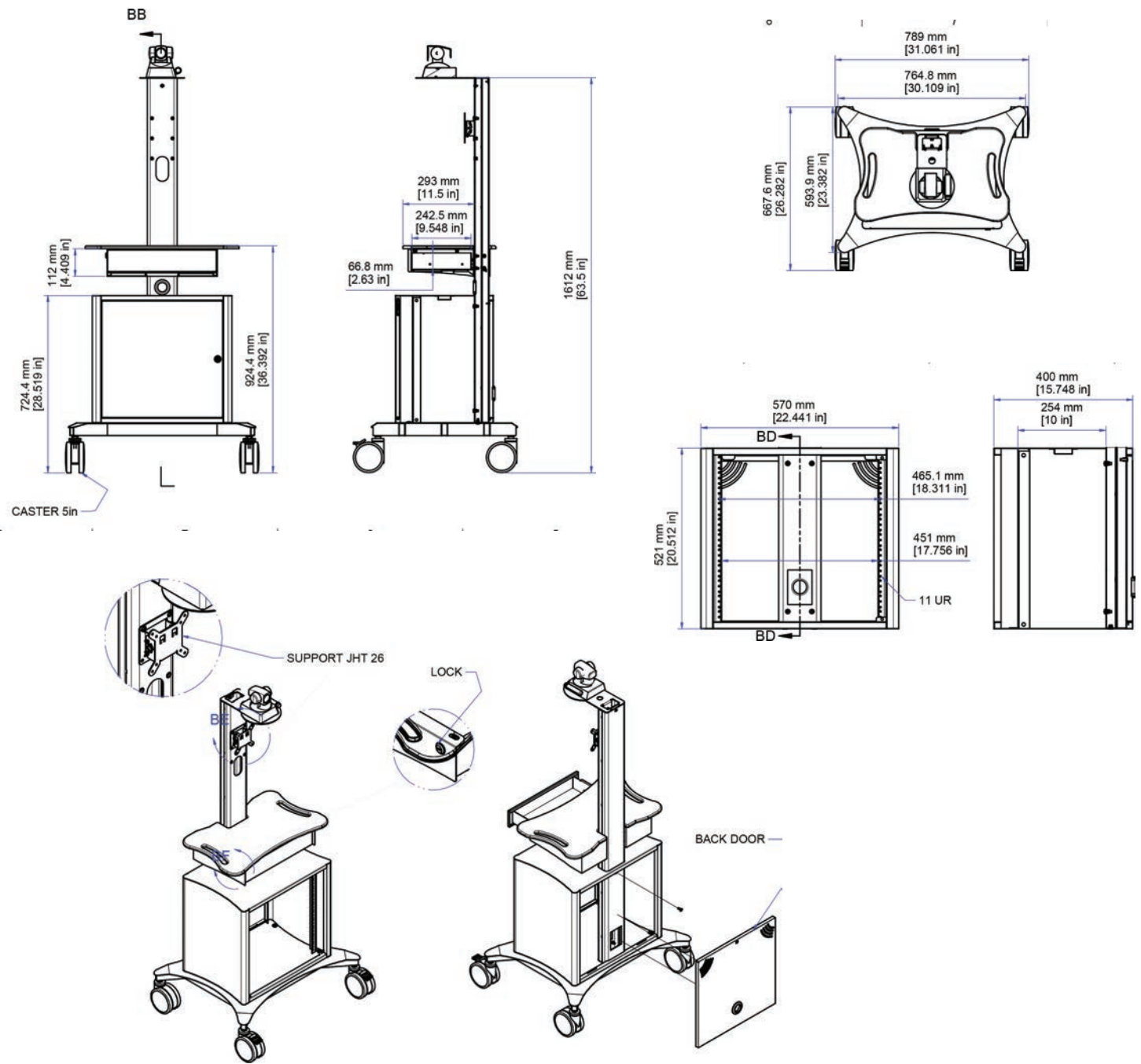


The TMP-300 supports the Cisco® Webex DX80 with the optional DX80 Mounting Bracket.



Removable back panel

DIMENSIONAL DRAWING



SPECIFICATIONS

DIMENSIONS	DRAWER	RACK SPACE	LOAD CAPACITY	DISPLAY SIZE	PART NUMBER
63.5"H x 31"W 26.3	9.5"W x 4.4" D	11RU	200 lbs	40"	TMP-300



Call 800.285.8315 or visit AVTEQ.net

[facebook.com/avteq](https://www.facebook.com/avteq)
twitter.com/avteqinc
[youtube.com/avteq](https://www.youtube.com/avteq)
[linkedin.com/avteqinc](https://www.linkedin.com/avteqinc)