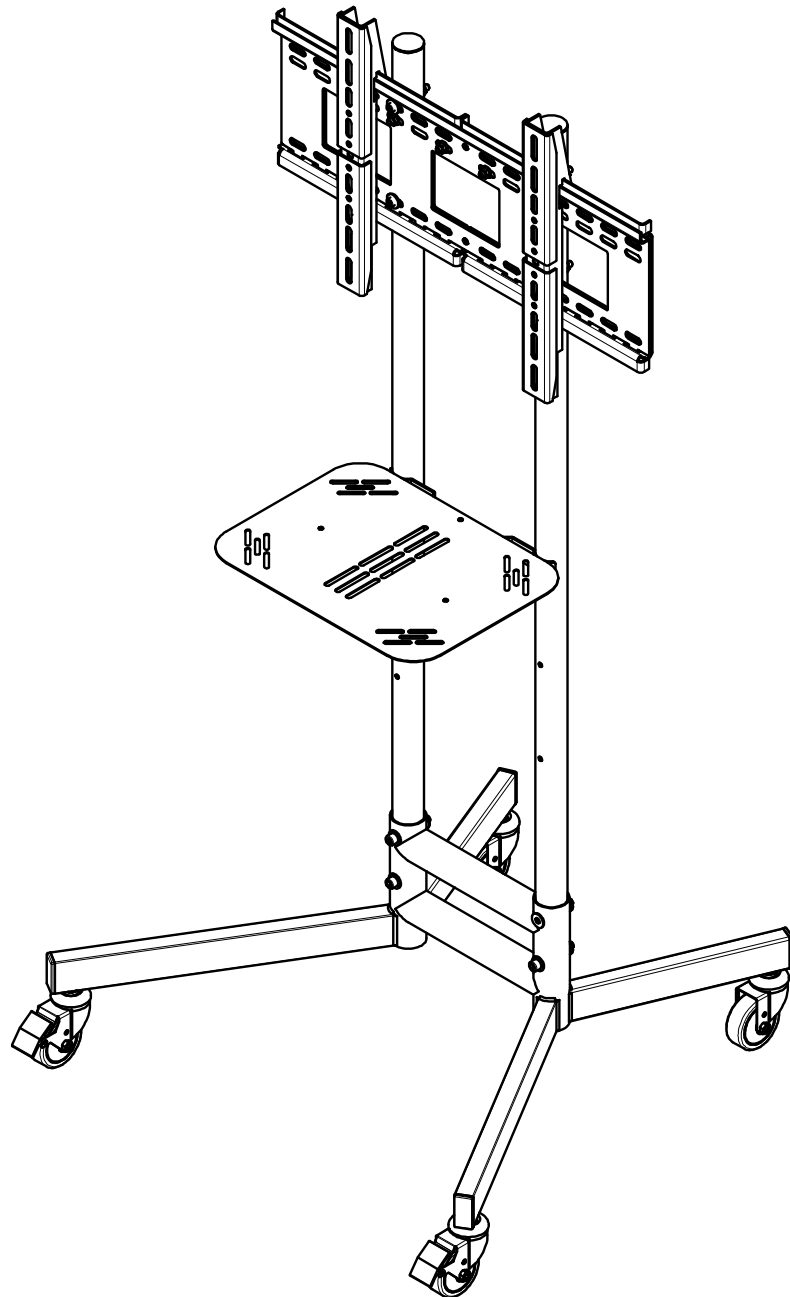




## EASY SETUP GUIDE

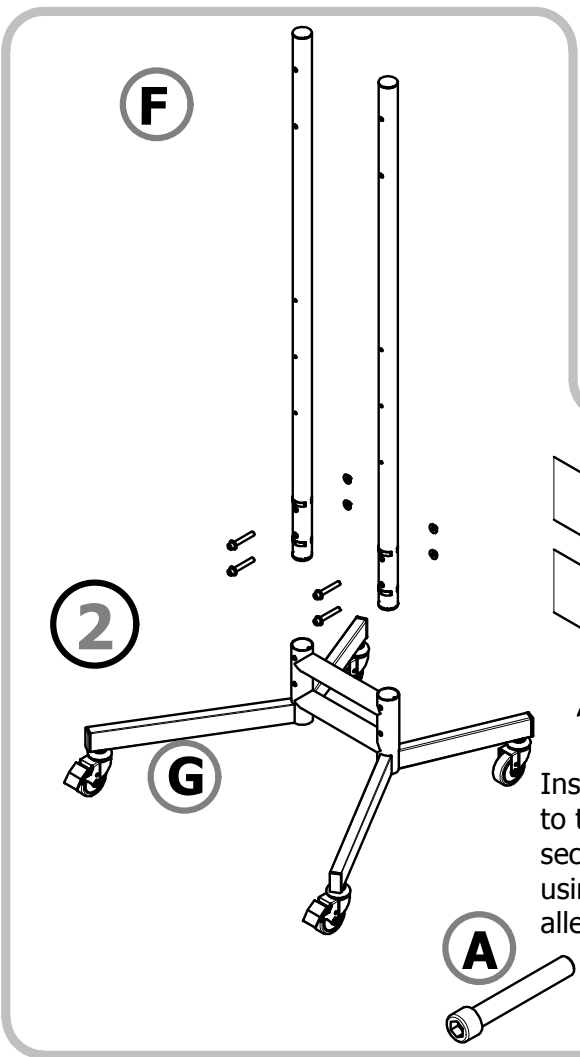
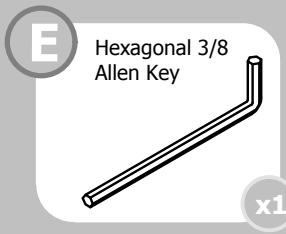
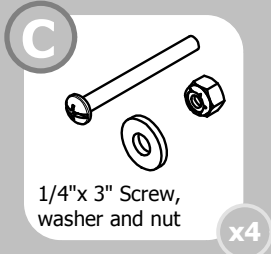
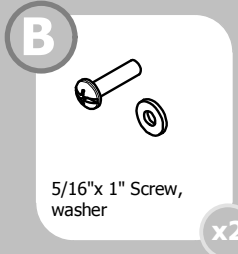
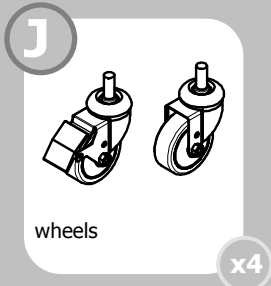
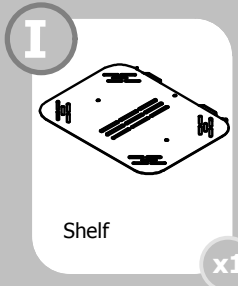
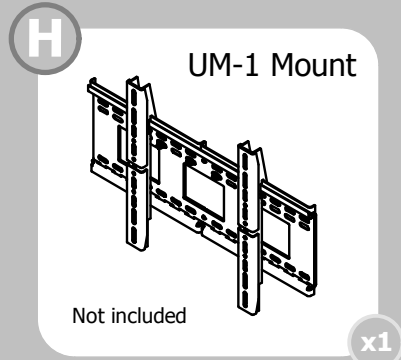
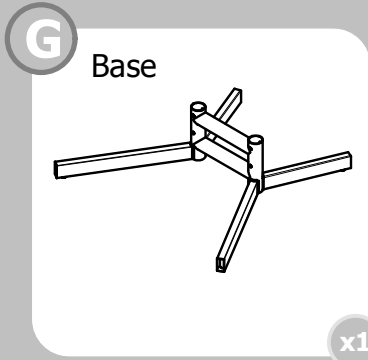
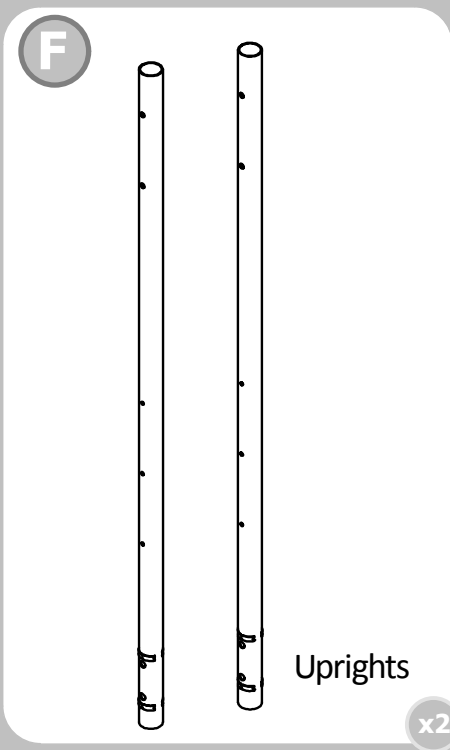
---

# RPS-200



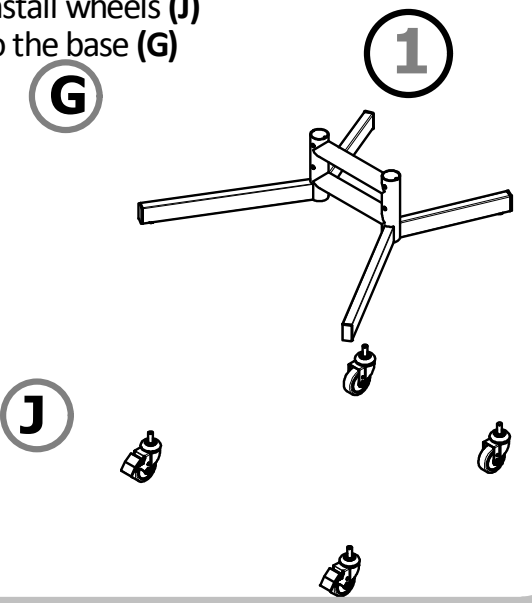
Items not included:  
- Phillips screw driver

# Items included

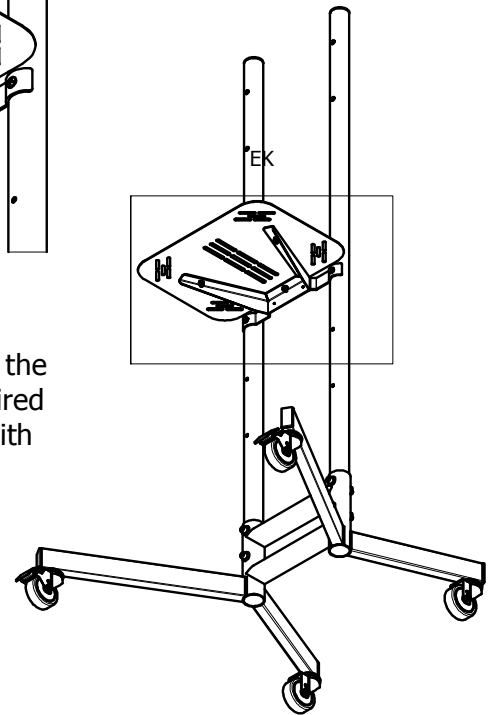
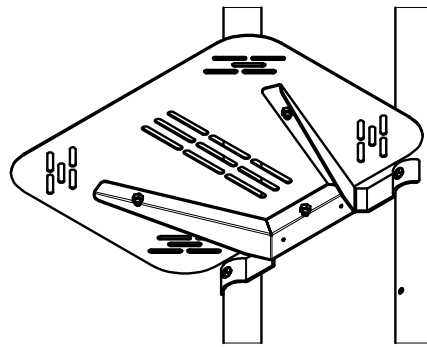
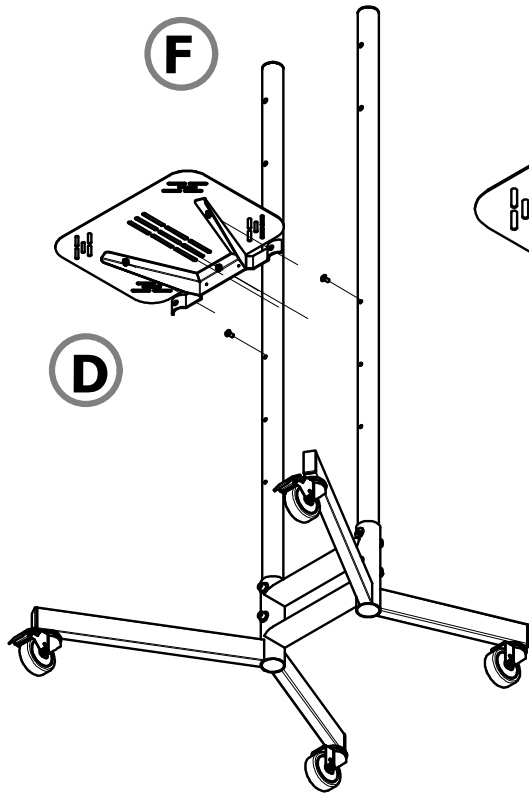


Install the uprights (F) to the base (G) and secure it with screws (A) using the hexagonal allen key (E).

Install wheels (J) to the base (G)

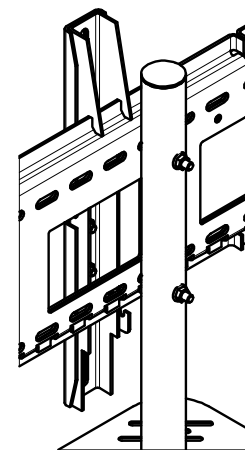
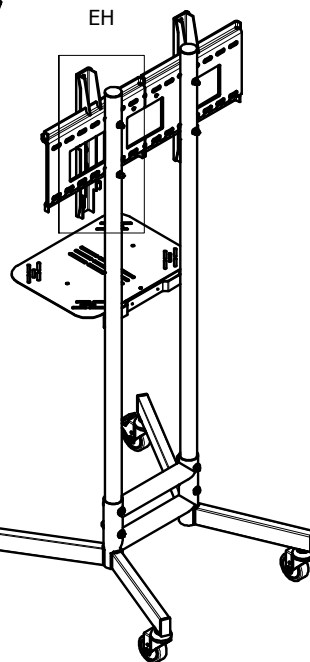
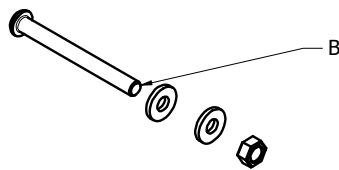
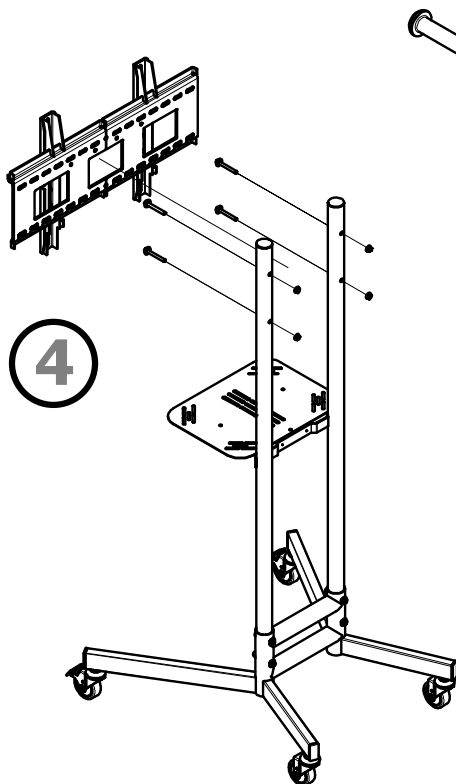


3



Install the shelf **(I)** to the upright **(F)** at the desired height and secure it with screws **(D)**

4



Place the UM-1 **(H)** on the upright **(F)** and secure it screws **(C)**, washers and nuts