

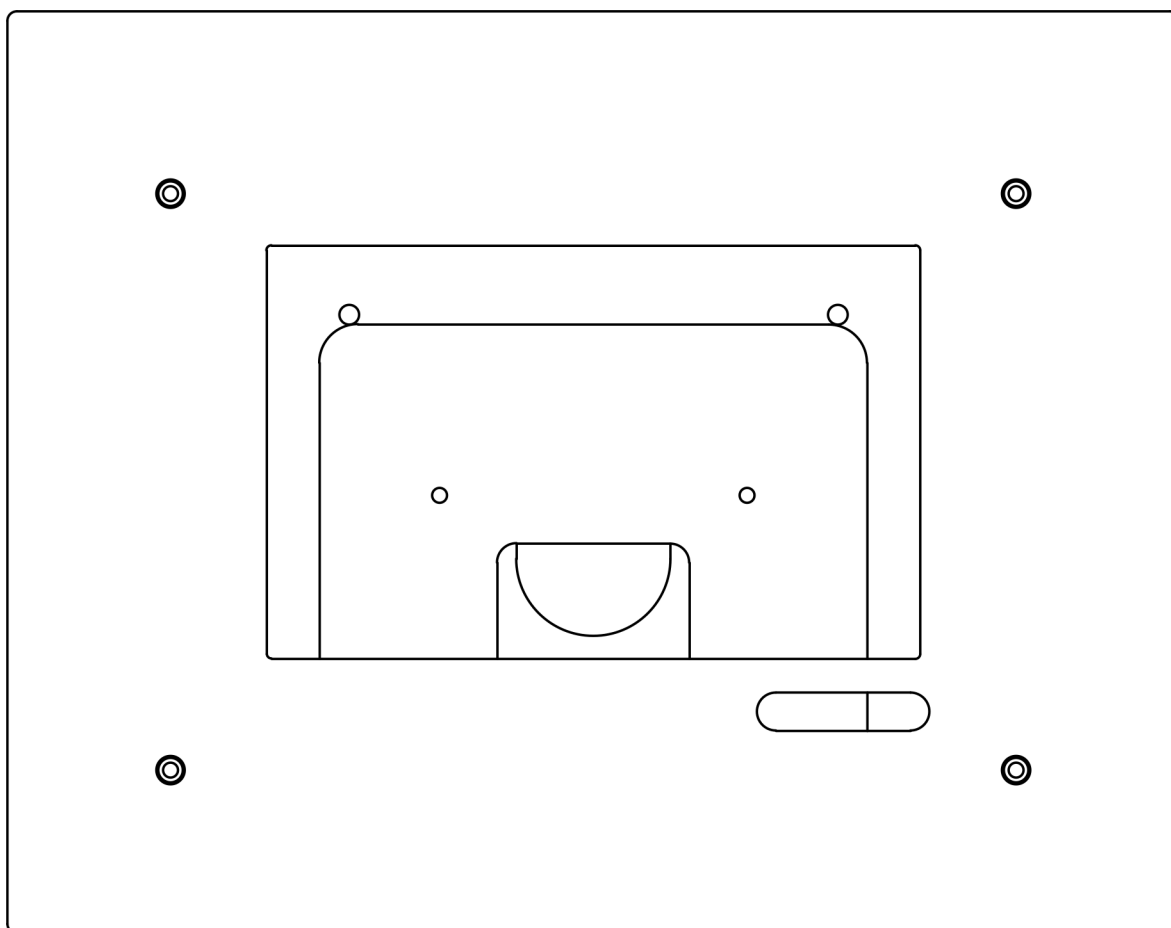


# Install Guide

Cisco Touch 10  
In-Wall Mount

---

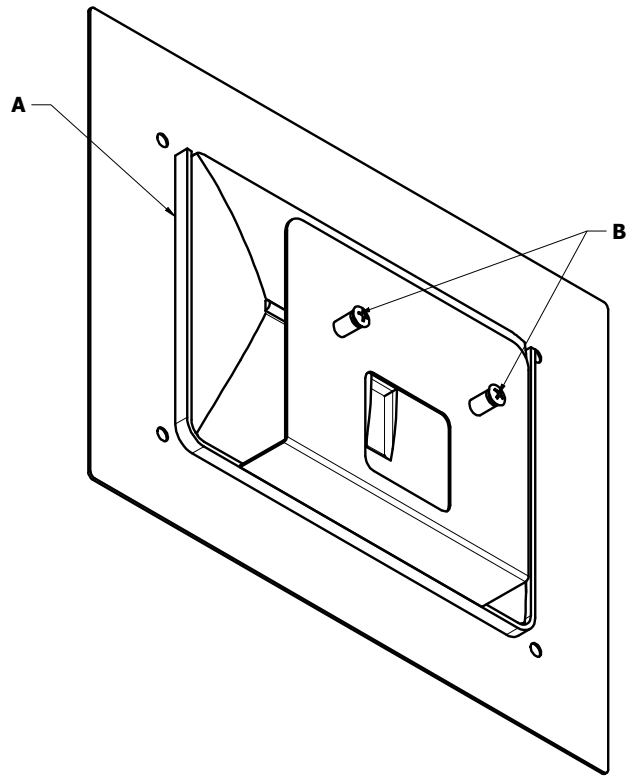
**C10-WMP**



1

A) Fold the touch panel kickstand down, then slide it into the "U" shaped channel on the back of the face plate in front of the flange.

B) Use  $\frac{1}{4}$  -20 screws to press Touch panel flat against the face plate.

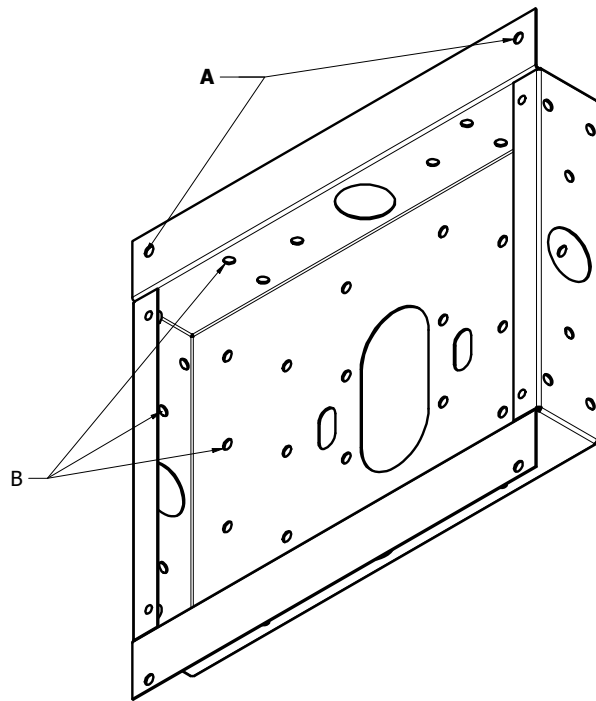


2

Secure wall box into wall using one of two methods:

A) use drywall anchors in flange holes

B) Use proper screws to attach the box directly to studs with any of the  $\frac{1}{4}$ " holes inside the box.



**3**

A) Slide the face plate into place in the wall box.

B) Use the four countersunk  $\frac{1}{4}$ -20 screws provided to secure the face plate to the wall box.

