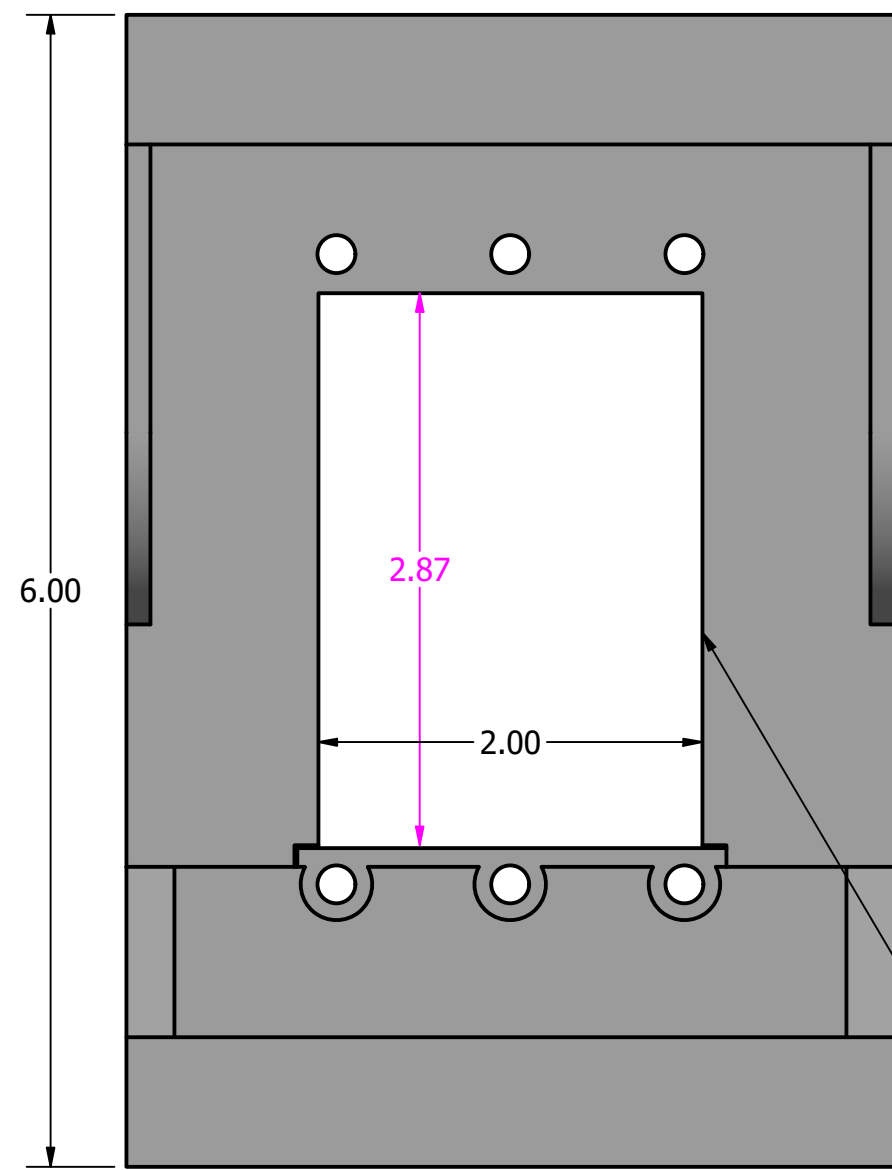


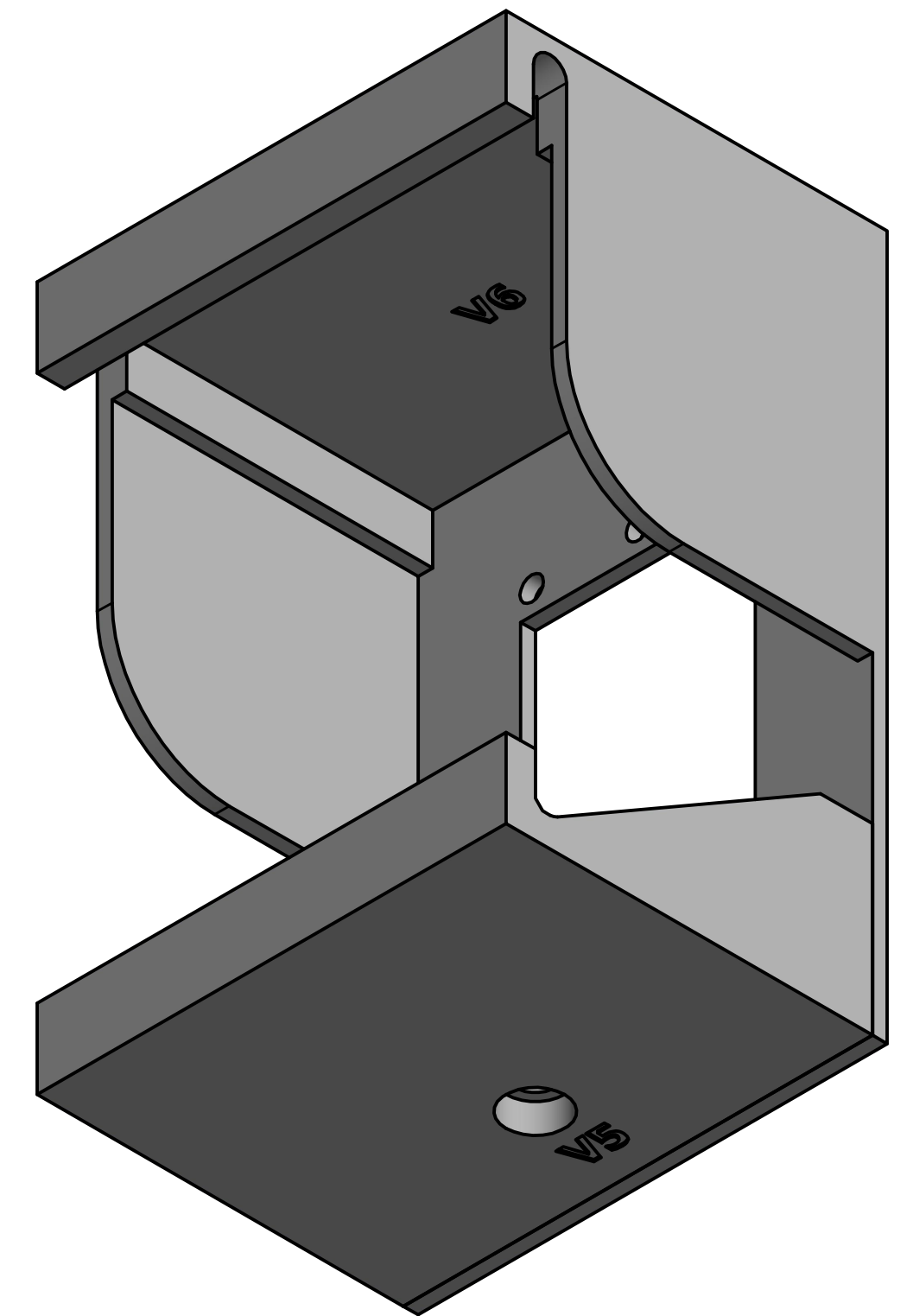
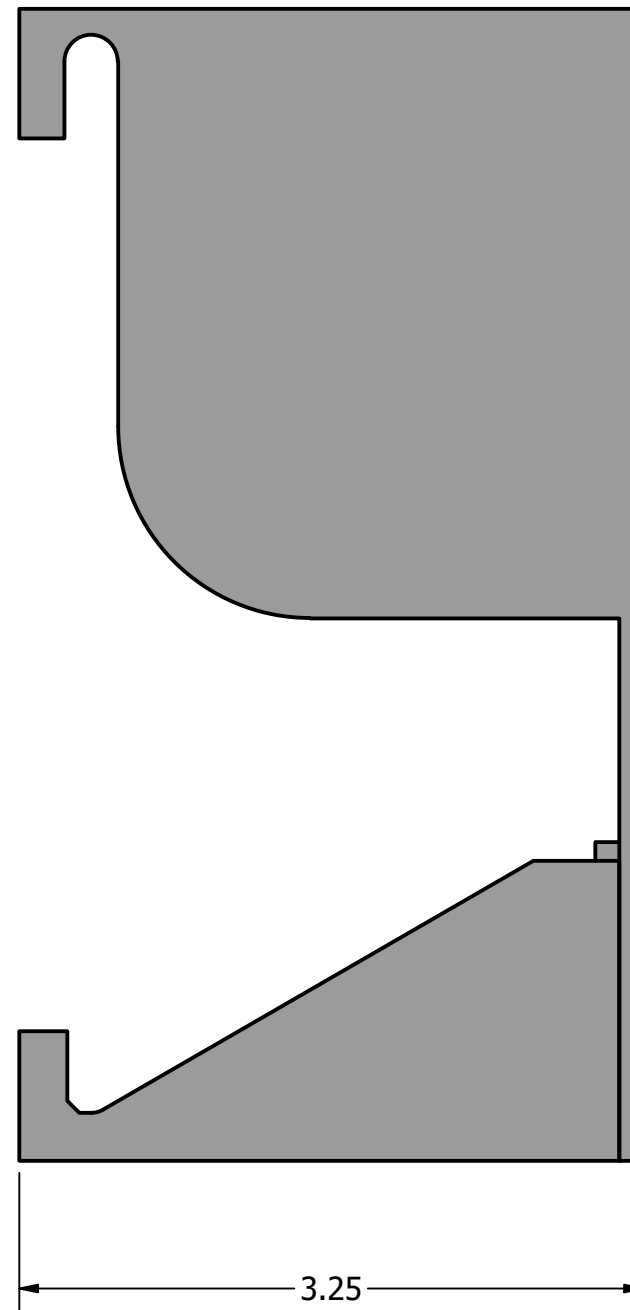
**Front**

**Side**

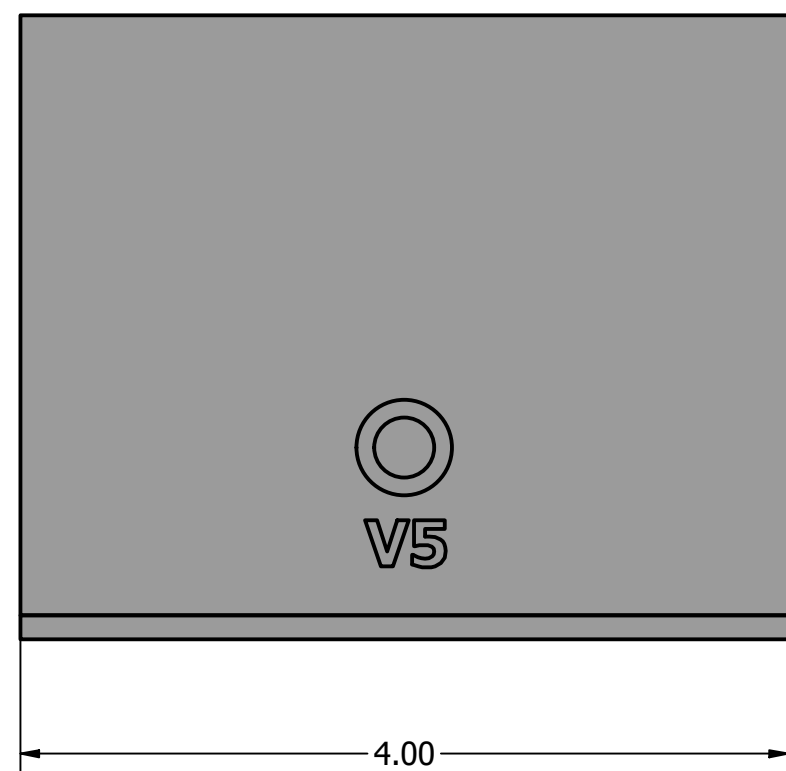
**Isometric**




2gang and 1gang hole



**Bottom**



DRAWN jtapley	2/1/2021			
CHECKED				
QA		SIZE C	DWG NO TC8-SM	REV
MFG		SCALE 1 : 1 Inches SHEET 1 OF 1		
APPROVED				

THIS DOCUMENT CONTAINS CONFIDENTIAL AND PROPRIETARY INFORMATION THAT CANNOT BE REPRODUCED OR DIVULGED, IN WHOLE OR IN PART, WITHOUT WRITTEN AUTHORIZATION FROM AVTEQ Inc. Dallas TX 75247, (214) 905 9001, AVTEQ.net