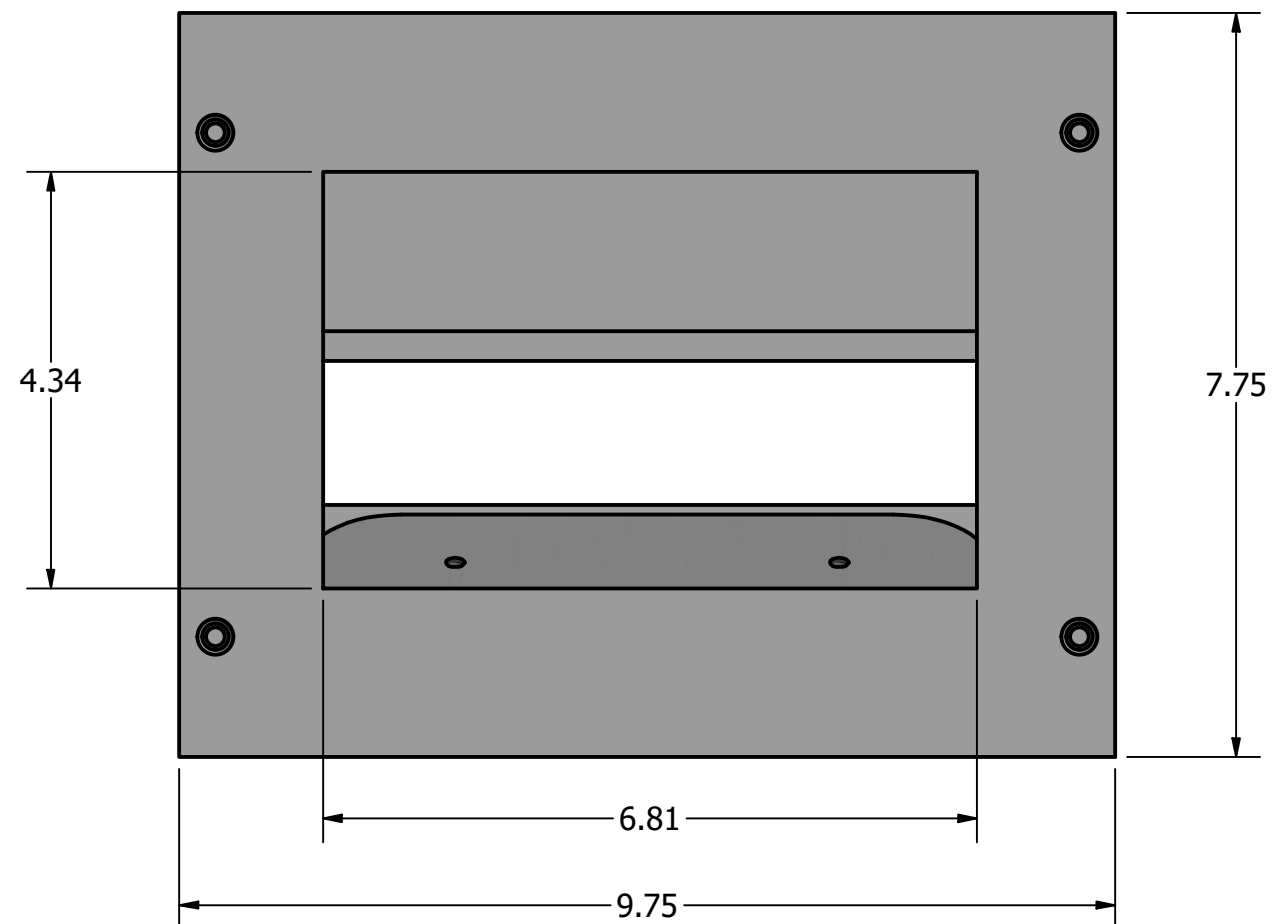
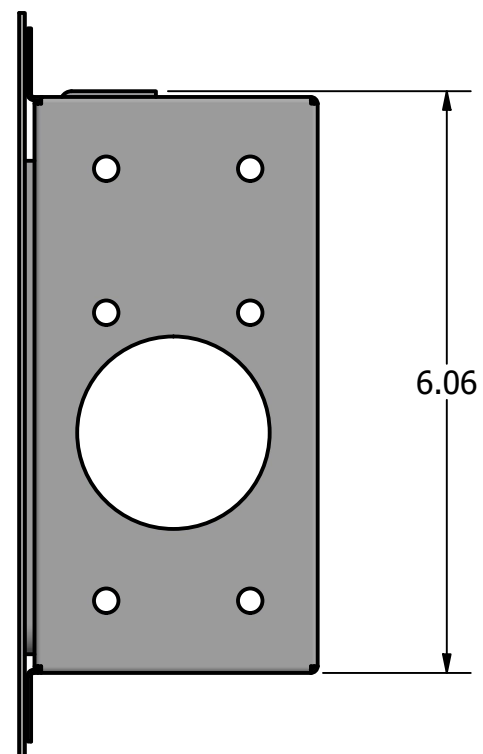


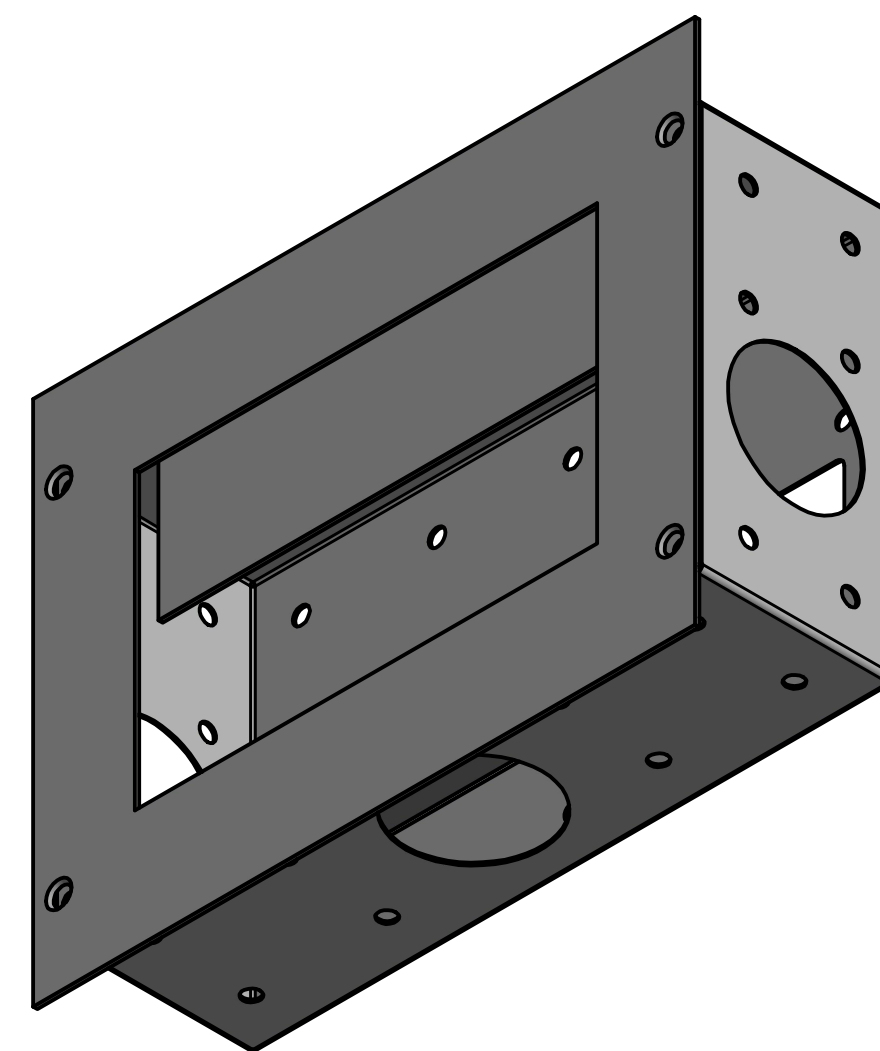
**Front**



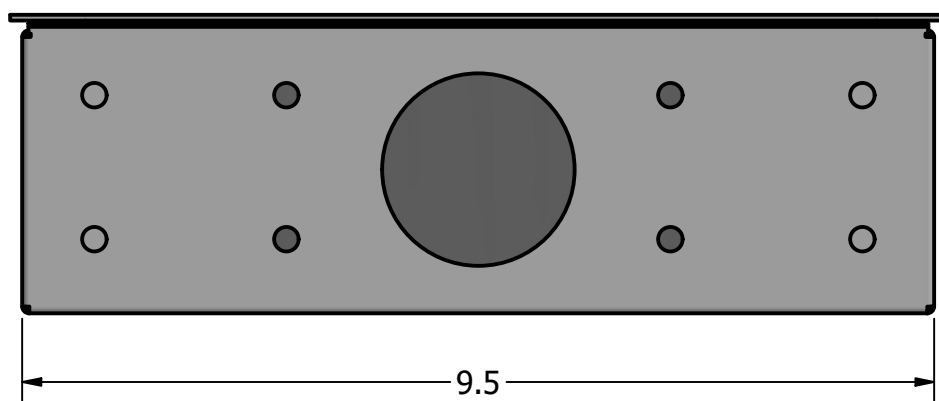
**Side**



**Isometric**



**Top**



DRAWN jtapley	11/30/2020	<b>AVTEQ</b> <sup>®</sup>		
CHECKED				
QA		SIZE <b>C</b>	DWG NO <b>TC8-WMP</b>	REV
MFG		SCALE <b>1 / 2</b>	Inches	SHEET 4 OF 4
APPROVED				

THIS DOCUMENT CONTAINS CONFIDENTIAL AND PROPRIETARY INFORMATION THAT CANNOT BE REPRODUCED OR DIVULGED, IN WHOLE OR IN PART, WITHOUT WRITTEN AUTHORIZATION FROM **AVTEQ Inc. Dallas TX 75247, (214) 905 9001, AVTEQ.net**