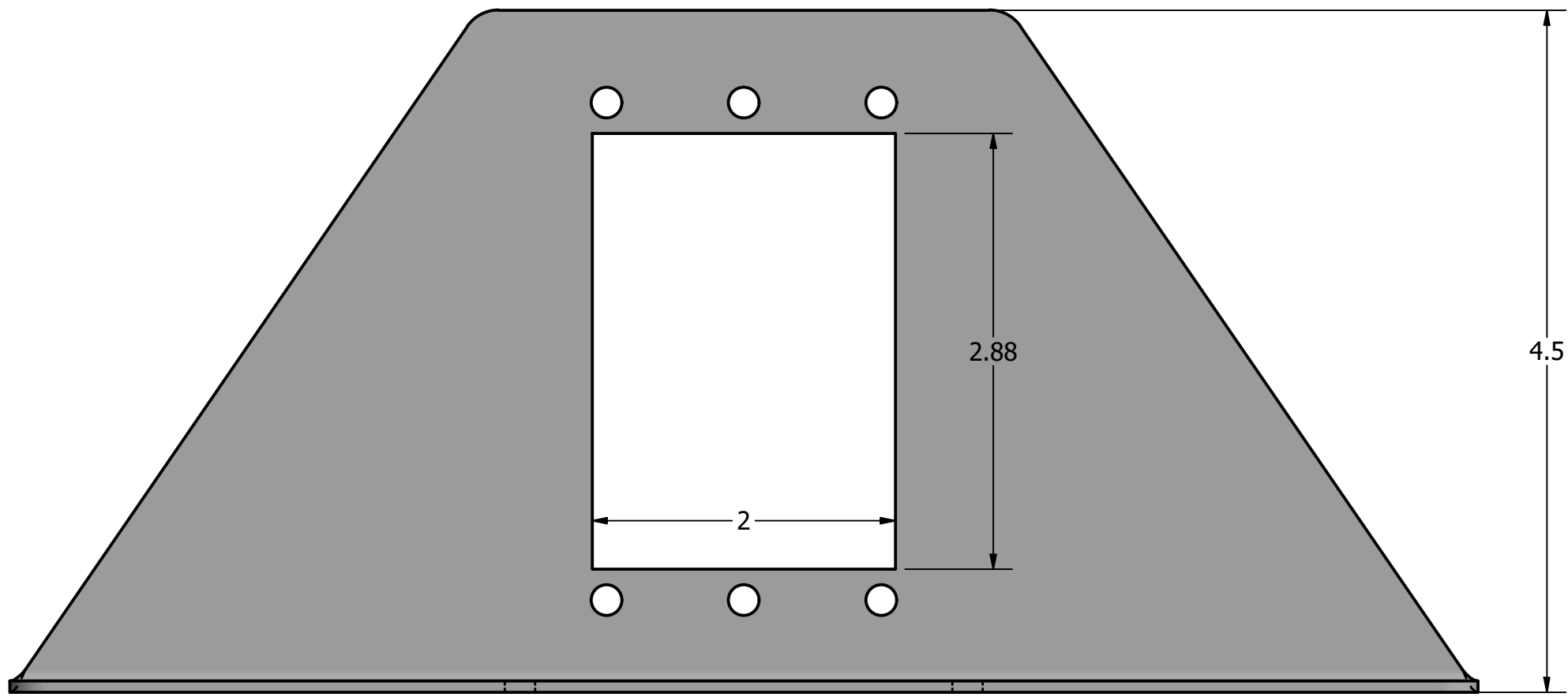


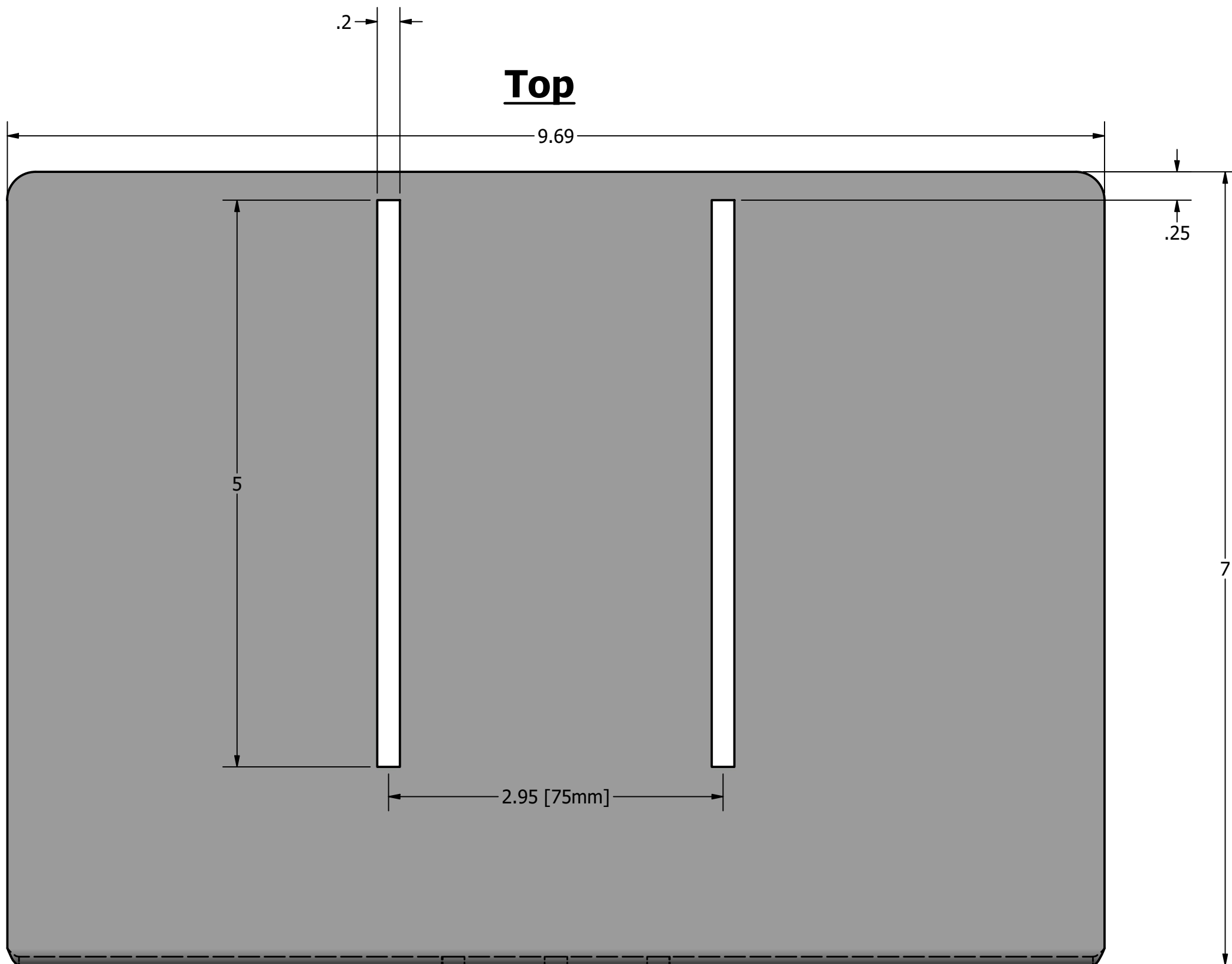
Front



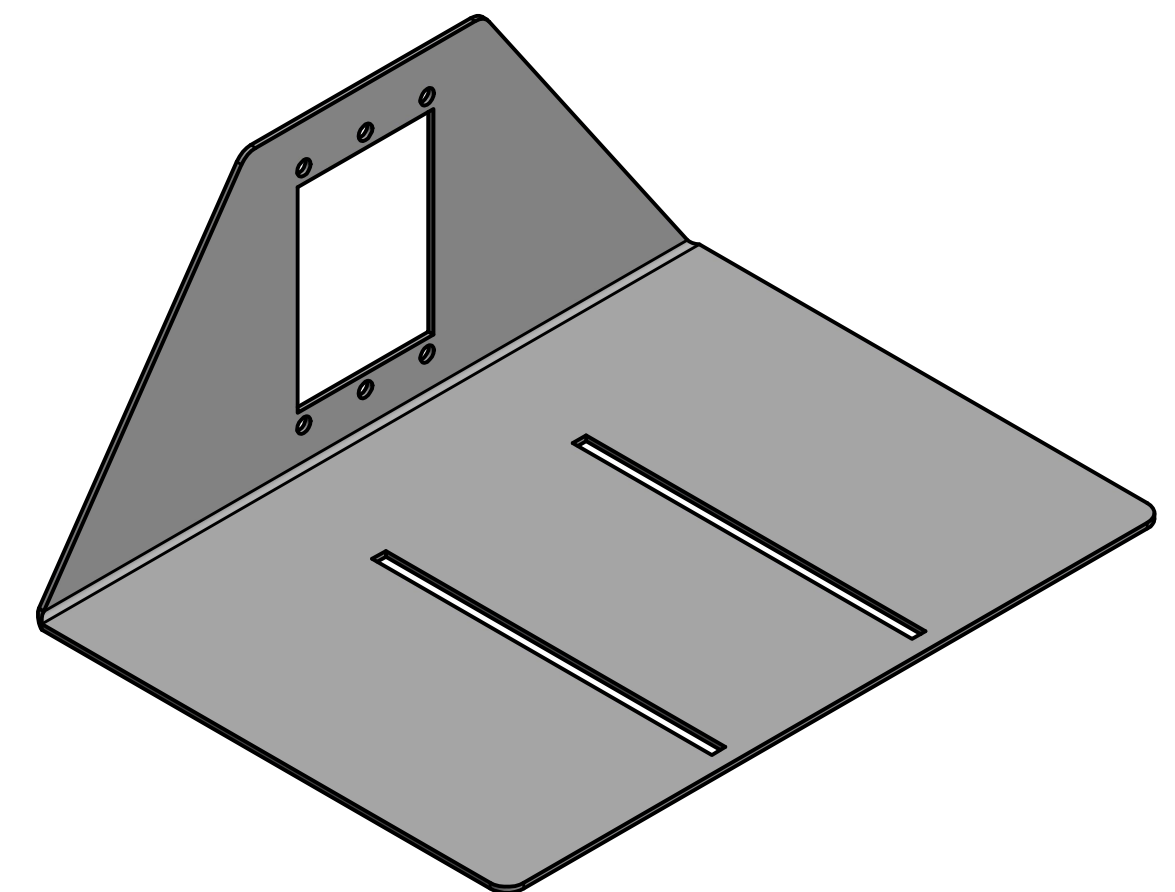
Side



Top



Isometric



DRAWN jtapley	3/5/2021	AVTEQ®		
CHECKED				
QA		Lifesize Icon 500/700 wall mount		
MFG		SIZE	DWG NO	REV
APPROVED		C	1478	3
14GA sheet metal		SCALE	1 Inches	SHEET 1 OF 1

THIS DOCUMENT CONTAINS CONFIDENTIAL AND PROPRIETARY INFORMATION THAT CANNOT BE REPRODUCED OR DIVULGED, IN WHOLE OR IN PART, WITHOUT WRITTEN AUTHORIZATION FROM AVTEQ Inc. Dallas TX 75247, (214) 905 9001, AVTEQ.net