

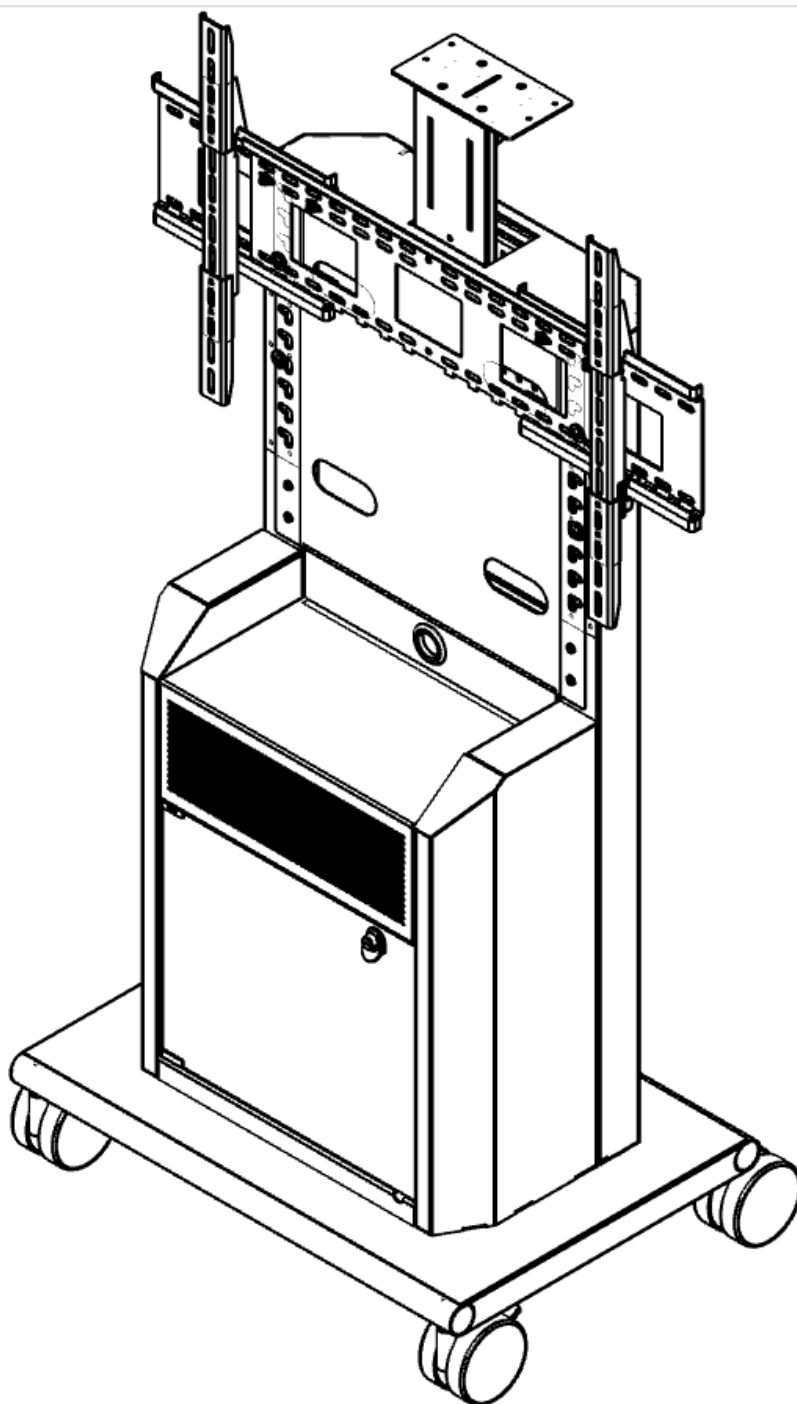


## EASY SETUP GUIDE

---

### RPS 800

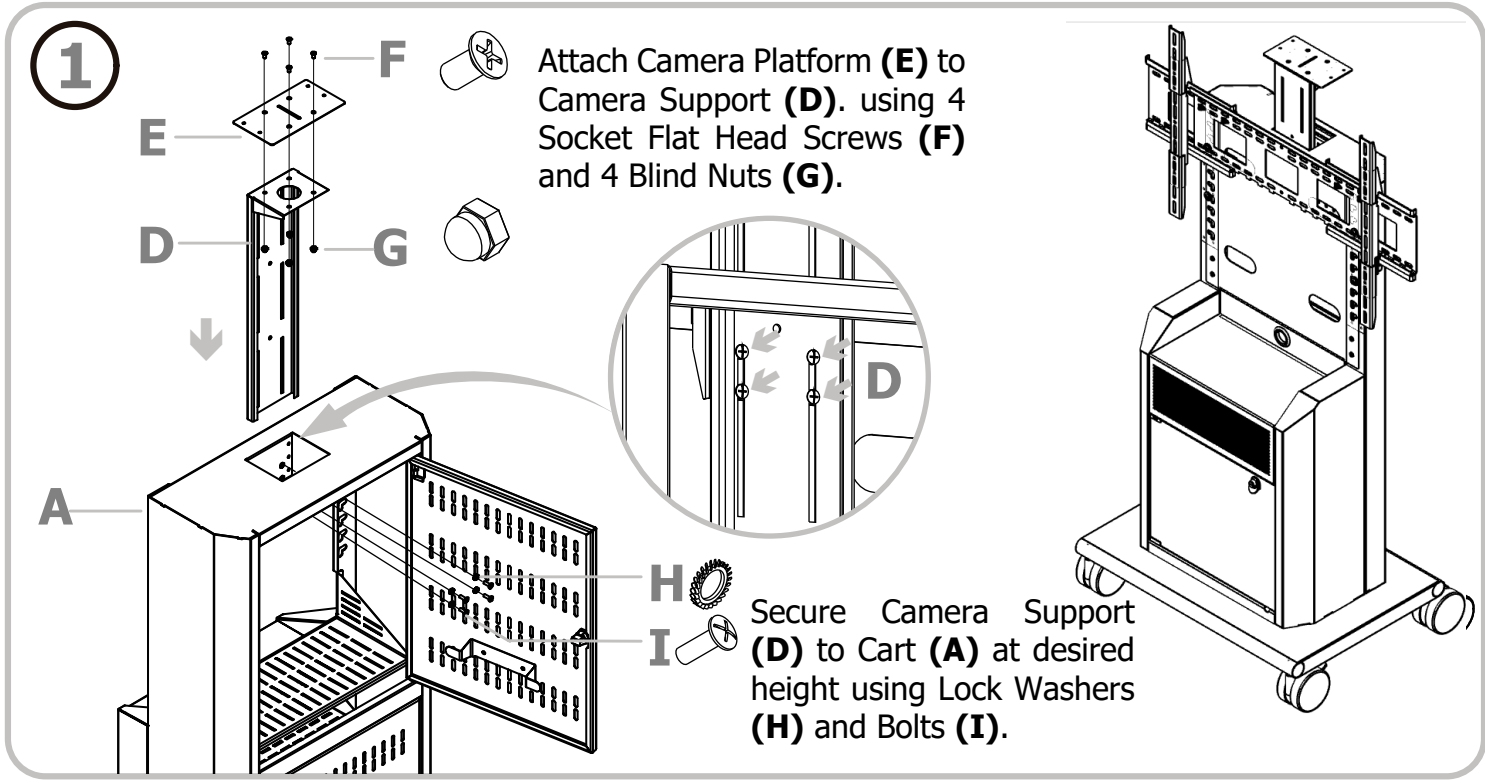
---



Items needed for install  
- Phillips screw driver

# Items Included

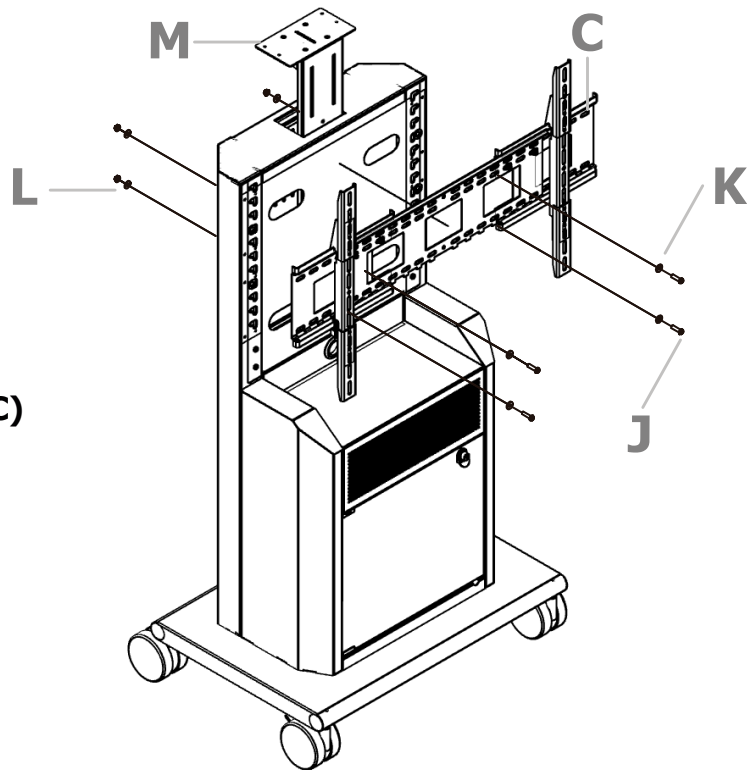
<p><b>A</b></p> <p>Cart (x1)</p>	<p><b>B</b></p> <p>Upright (x2) for single monitor (x4) for dual monitor</p>	<p><b>C</b></p> <p>Display Mount (x1)</p>	<p><b>D</b></p> <p>Camera Support (x1)</p>
<p><b>E</b></p> <p>Camera Platform (x1)</p>	<p><b>F</b></p> <p>Socket Flat Head (x4)</p>	<p><b>G</b></p> <p>Blind Nut 1/4" (x4)</p>	<p><b>H</b></p> <p>Lock Washer 1/4 (x4)</p>
<p><b>I</b></p> <p>Philips Head Bolt 1/4"x 1/2" (x4)</p>	<p><b>J</b></p> <p>Philips Head Bolt 5/16"x 1 1/4" (x4)</p>	<p><b>K</b></p> <p>5/16" x 3/4" (x8)</p>	<p><b>L</b></p> <p>5/16" x 1 (x8)</p>
<p><b>M</b></p> <p>Nut 5/16" (x4)</p>	<p><b>N</b></p> <p>Flange Nut 1/4" (x4)</p>	<p><b>O</b></p> <p>Handle (x2)</p>	



2

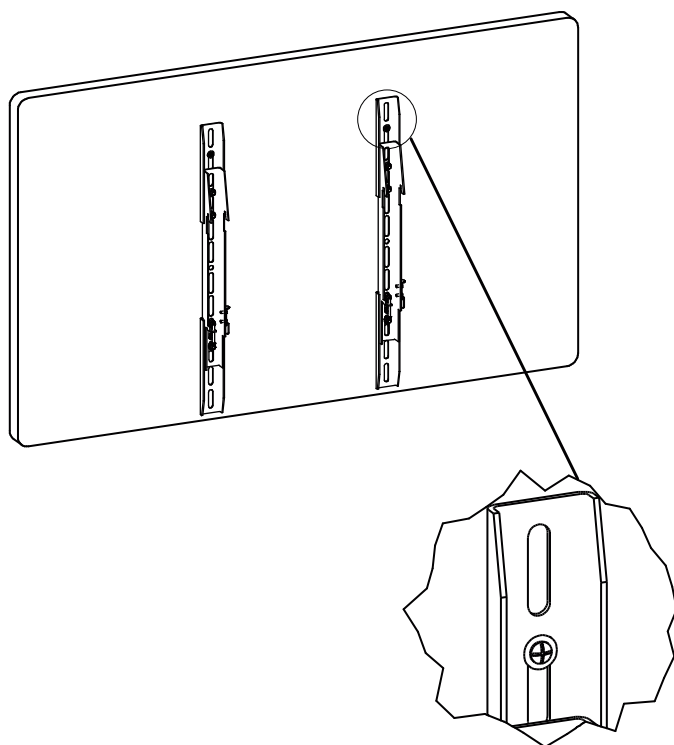
**Install Tip:** Before installing the Display Mount, measure the VESA pattern on the back of the display to make sure any adjustments to the Display Mount are done prior to mounting it to the cart.

Secure the Display Mount (C) to Cart (A) as shown.

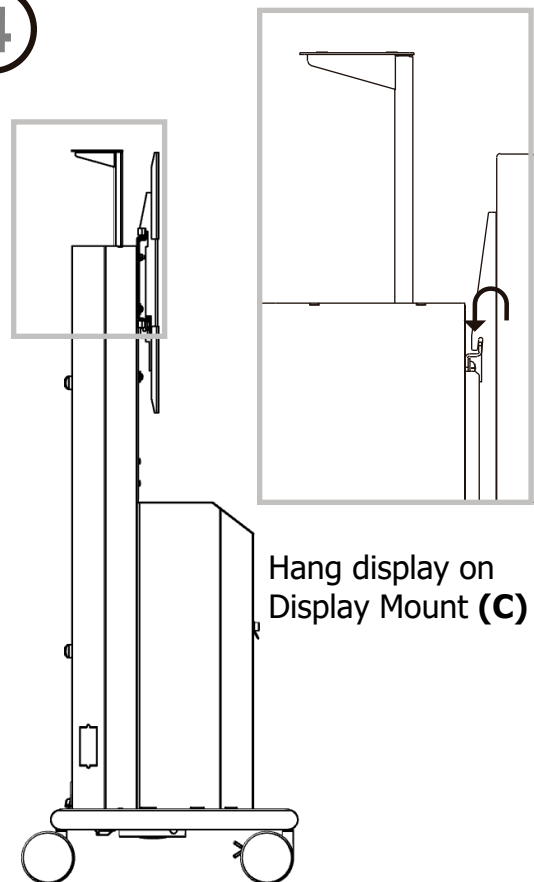


3

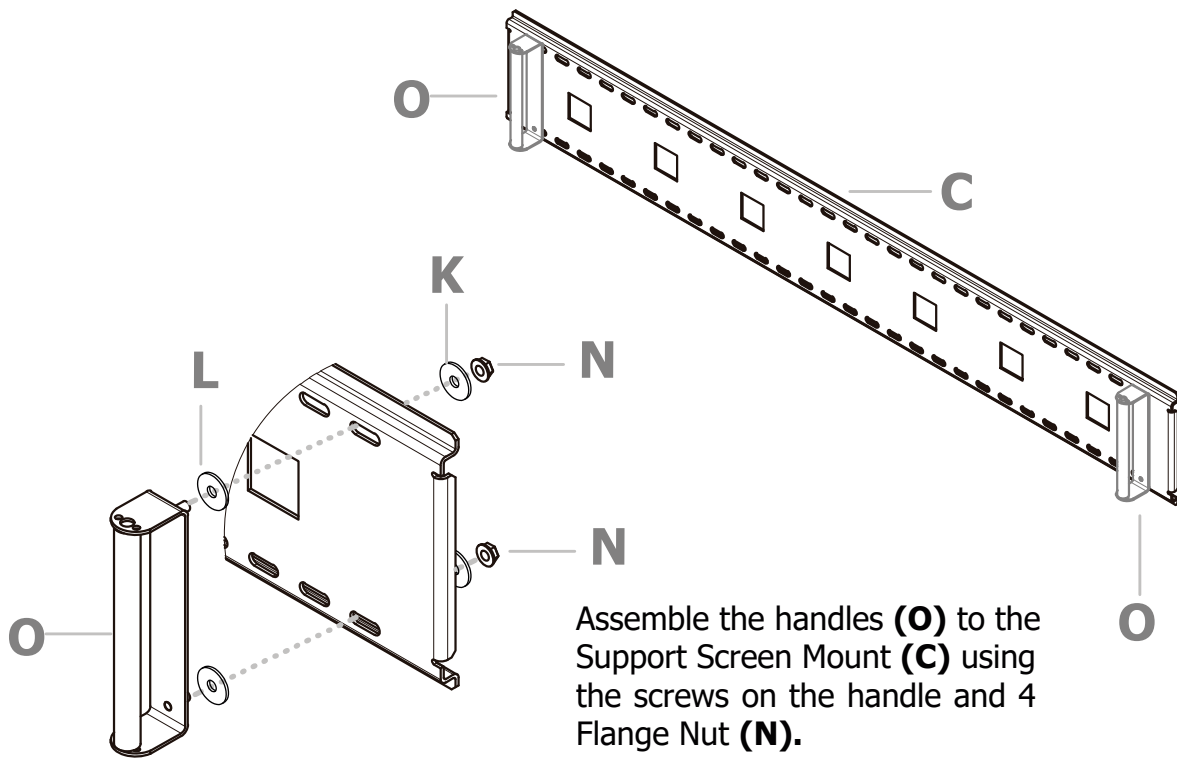
Using the Display Mount hardware, bolt the hanging brackets to the rear of the display.



4



5



Assemble the handles (**O**) to the Support Screen Mount (**C**) using the screws on the handle and 4 Flange Nut (**N**).