

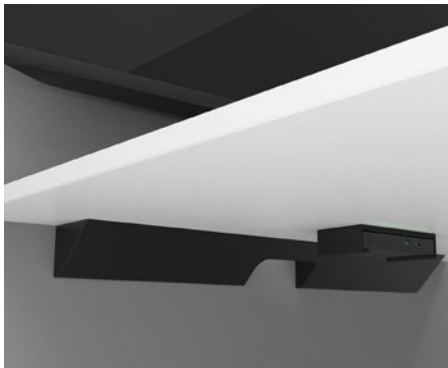
Mersive Solstice Pod Mount

The Mersive Solstice Pod mount securely supports the device on a wall, display mount or desk. The Solstice Pod easily slides into the mount and then is secured with security screws.

The Avteq mount allows access to the device's ports without keeping it on a shelf or tabletop. Install the Mersive Solstice Pod to the wall, behind the display, or under a desk or tabletop.

FEATURES

- Mounts to the wall, behind display, or under a table or desk
- Black finish
- TAA compliant



Under table mounting



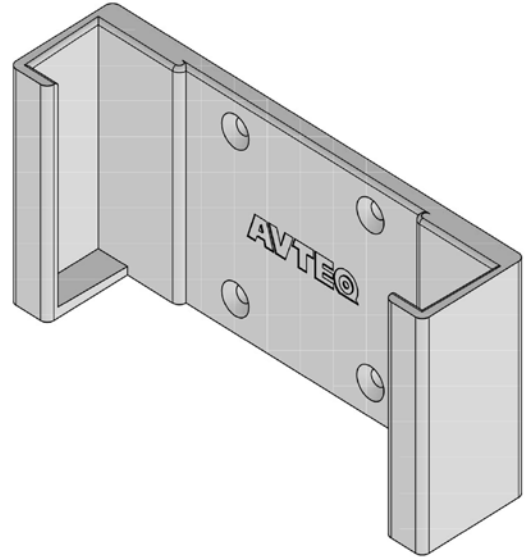
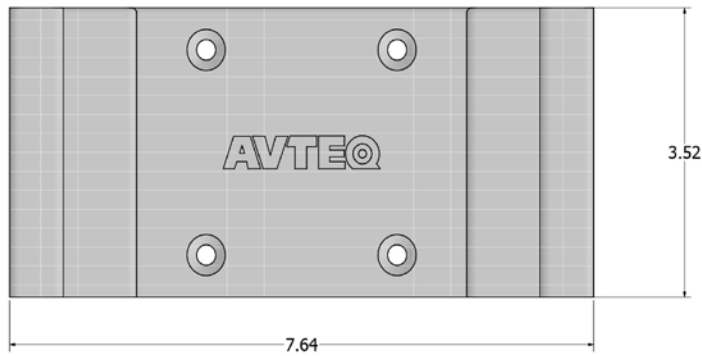
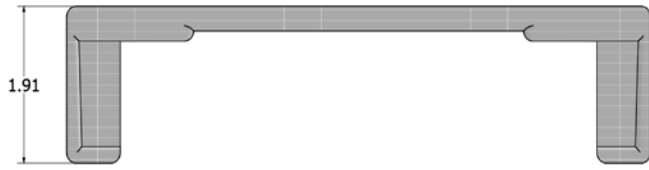
Mersive Solstice Pod Mount



Wall mounting behind display



DIMENSIONS



SPECIFICATIONS

Part Number	MER1527
Dimensions (HxWxD)	3.52 x 7.64 x 1.91 Inches (89 x 194 x 49 mm)



Call 800.285.8315 or visit AVTEQ.net