

Cisco Room Navigator Cradle

Bring easy access and safe storage for the Cisco Room Navigator meeting controller with Avteq's Cisco Room Navigator Cradle. The cradle is designed for the ELT-2000 floor stand and ELT-2100 mobile cart and easily is mounted on the front panel.

The Cisco Room Navigator Cradle slides over the front edge of the ELT-2000 or ELT-2100 and locks in place using the knob at the back of the cradle.

FEATURES

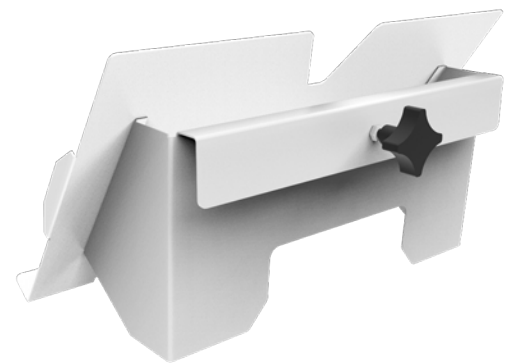
- Designed for the ELT-2000 floor stand and ELT-2100 mobile cart
- Mounting hardware included
- Grey powder coat finish
- 100% steel
- TAA compliant



ELT-2100 with CN-MNTKIT



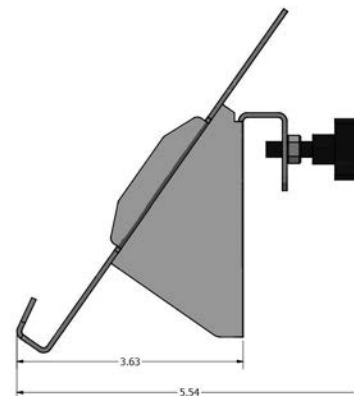
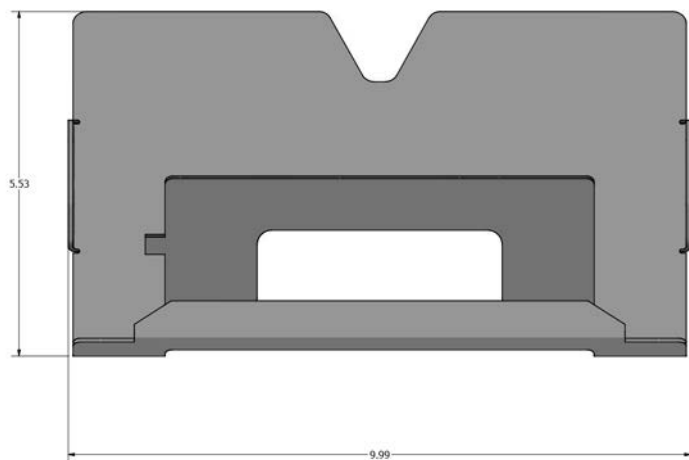
CN-MNTKIT



CN-MNTKIT review view



SPECIFICATIONS



DIMENSIONS

DESCRIPTION	DIMENSIONS (INCHES)	PART NUMBER
Cisco Room Navigator Cradle	9.99W x 5.53H x 3.63D	CN-MNTKIT



Call 800.285.8315 or visit AVTEQ.net