

# Poly TC8 Cradle

Bring easy access and safe storage for the Poly TC8 meeting controller with Avteq's Logitech Tap Cradle. The cradle is designed for the ELT-2000 floor stand and ELT-2100 mobile cart and easily is mounted on the front panel.

The Poly TC8 Cradle slides over the front edge of the ELT-2000 or ELT-2100 and locks in place using the knob at the back of the cradle.

## FEATURES

- Designed for the ELT-2000 floor stand and ELT-2100 mobile cart
- Mounting hardware included
- Grey powder coat finish
- 100% steel
- TAA compliant



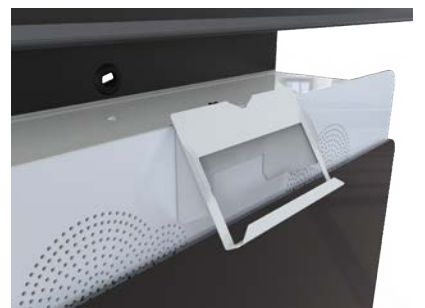
TC8-MNTKIT



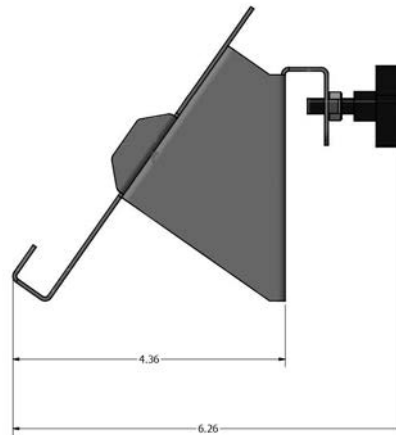
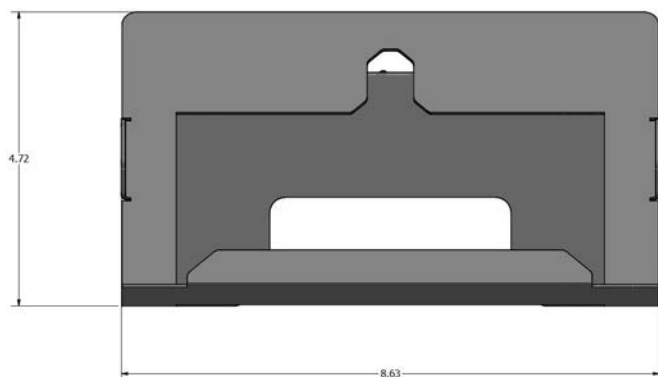
TC8-MNTKIT review view



ELT-2100 with TC8-MNTKIT



# SPECIFICATIONS



## DIMENSIONS

DESCRIPTION	DIMENSIONS (INCHES)	PART NUMBER
Poly TC8 Cradle	8.63W x 4.72H x 4.63D	TC8-MNTKIT



Call 800.285.8315 or visit [AVTEQ.net](http://AVTEQ.net)