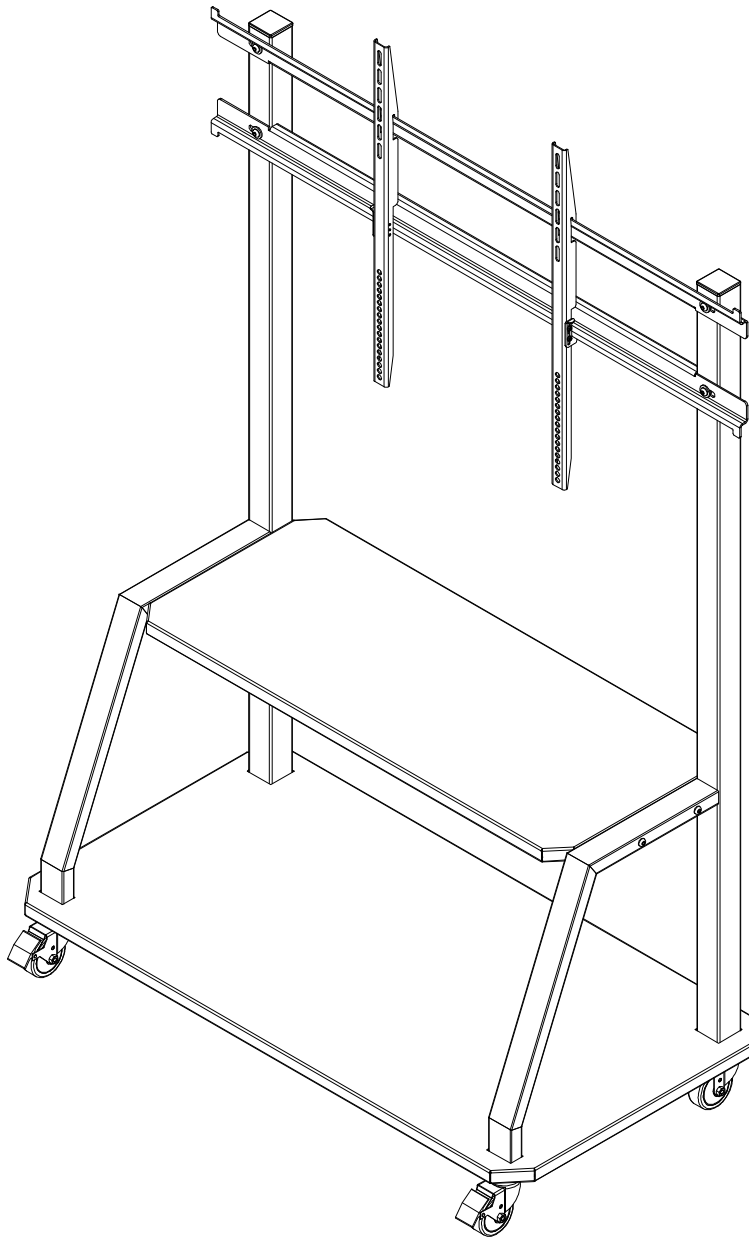




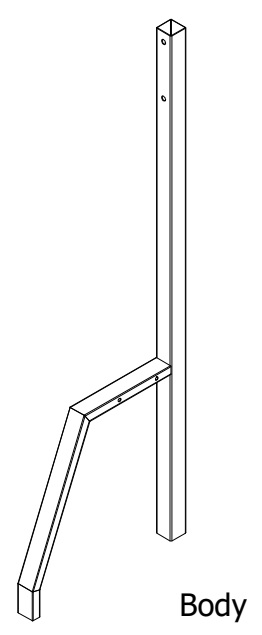
EASY SETUP GUIDE

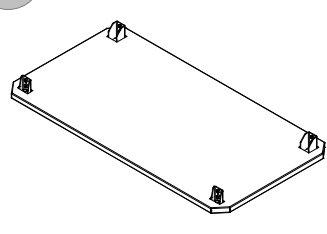
EDC 100

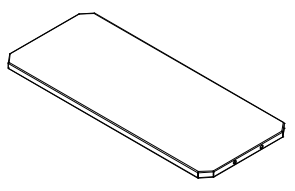


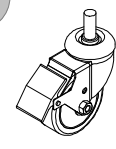
Items not included:
- Phillips screw driver

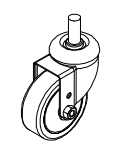
Items included

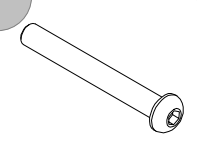
A  Body x2

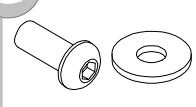
B  Base x1

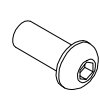
C  Shelf x1

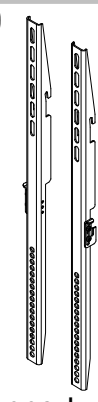
D  wheel with brake x2

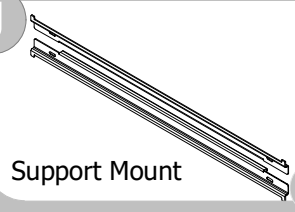
E  wheel without brake x2

F  5/16" x 2-1/2" Phillips screw head x4

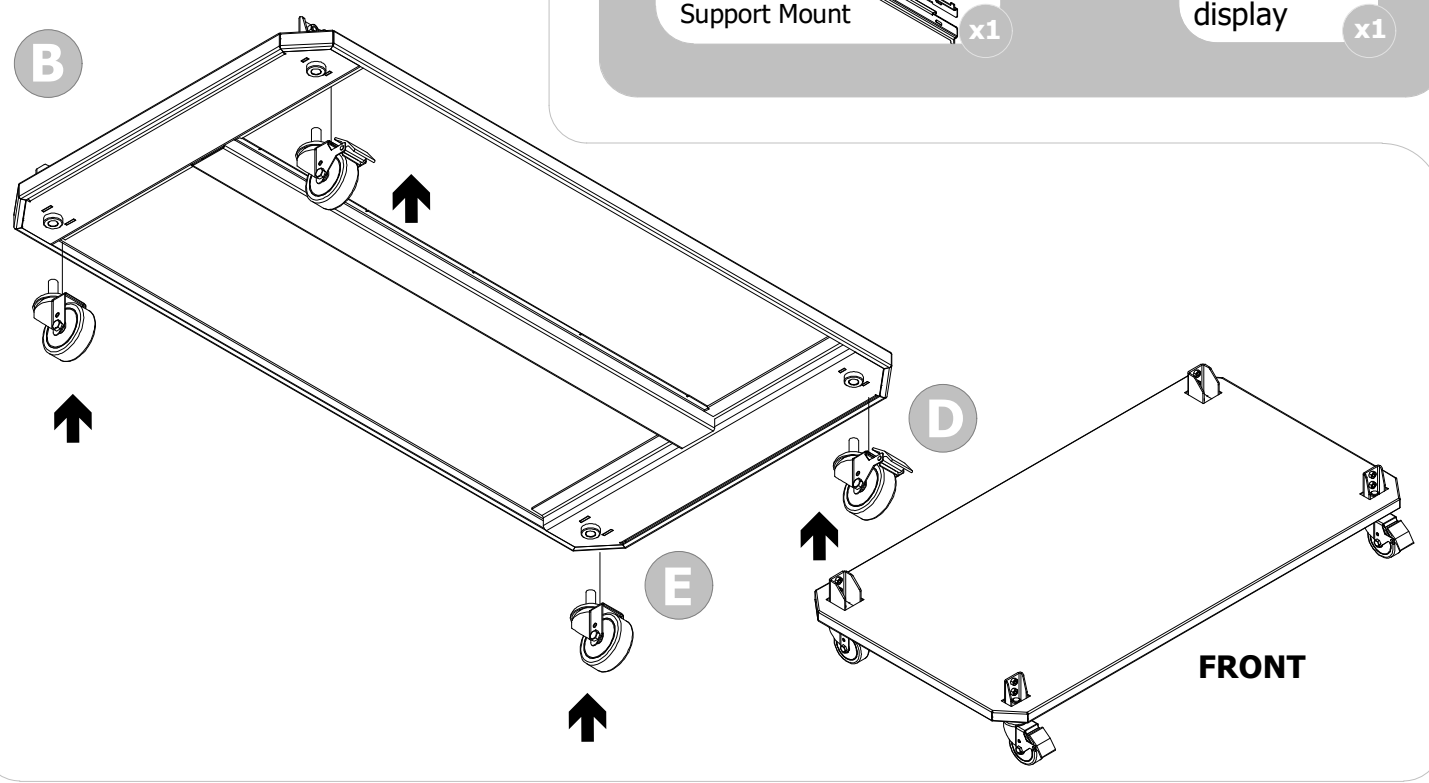
G  - 5/16" x 3/4" Phillips screw head
- 5/16" washer x4

H  5/16" x 3/4" Phillips screw head x8

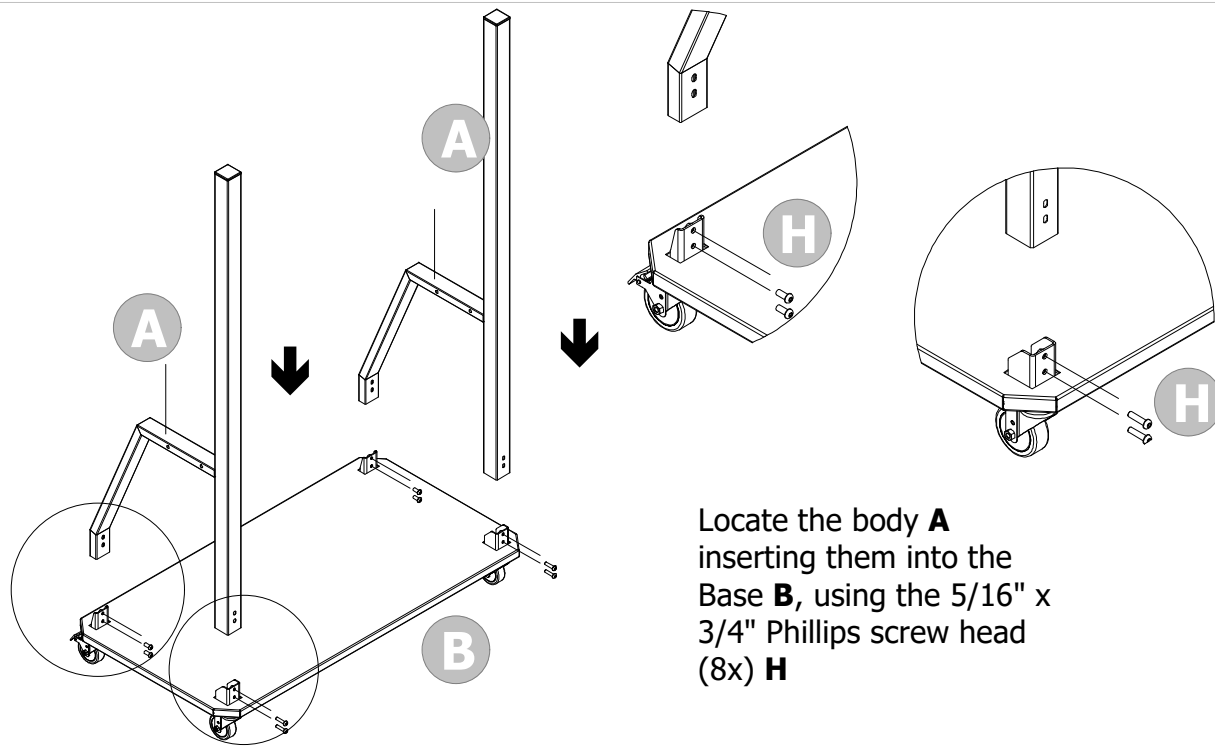
I  Support display x1

J  Support Mount x1

1 Place the Wheels (wheel with brake in front) in Bottom base **B** in position as shown

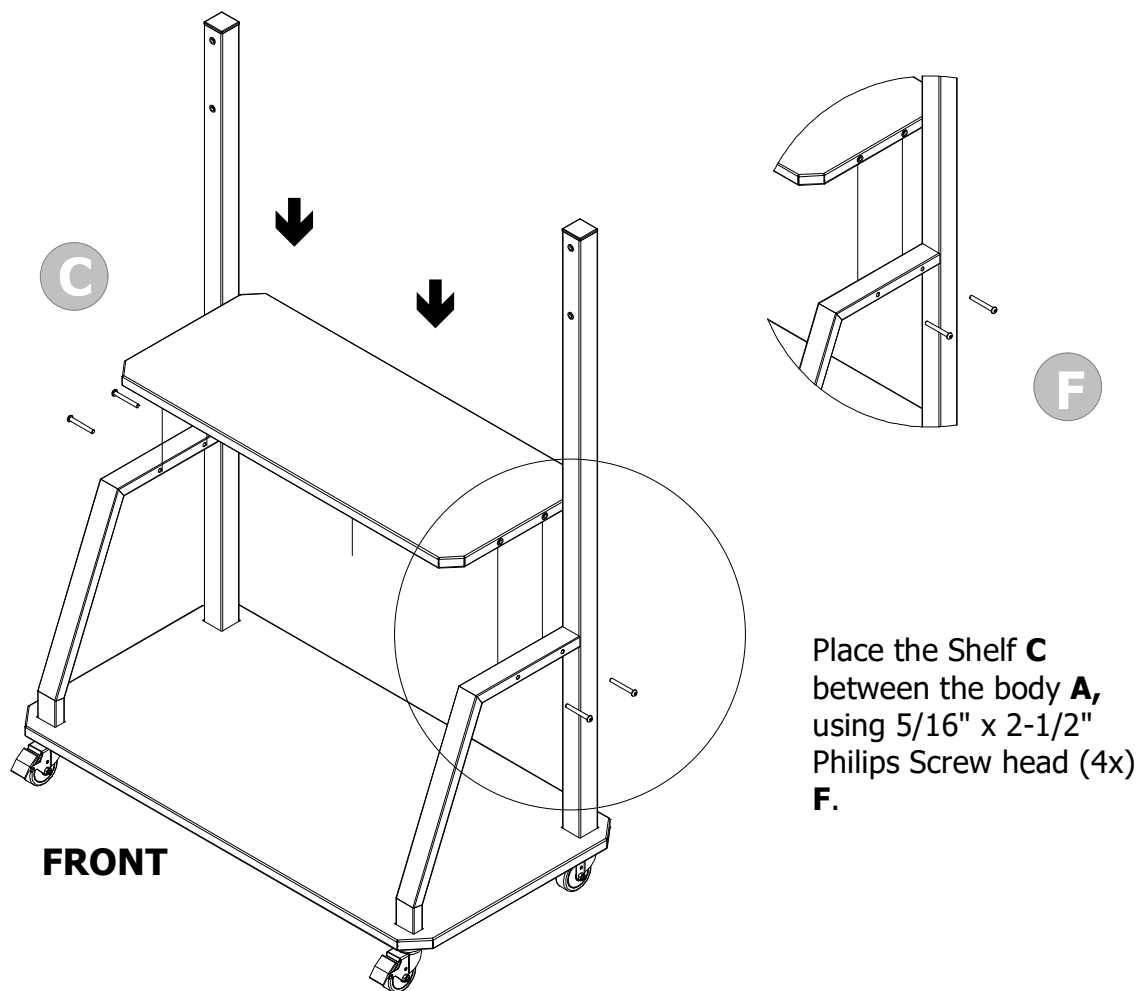


2



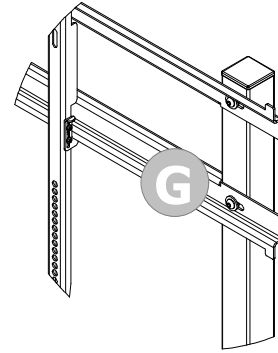
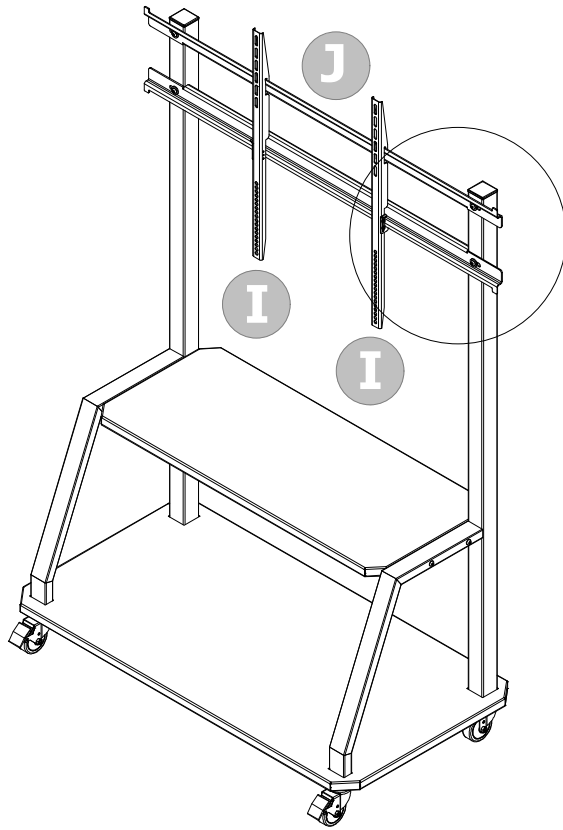
Locate the body **A**
inserting them into the
Base **B**, using the 5/16" x
3/4" Phillips screw head
(8x) **H**

3



Place the Shelf **C**
between the body **A**,
using 5/16" x 2-1/2"
Phillips Screw head (4x)
F.

4



Place the Support Display mount **I-J** at the top between the body **A**, using 5/16" x 3/4" Phillips screw head and 5/16" washer (4x) **G**.

AVTEQ®

Customer Service

(800) 285-8315

Address:

9003 Governors Row

Dallas, TX 75247

Phone: (214) 905-9001