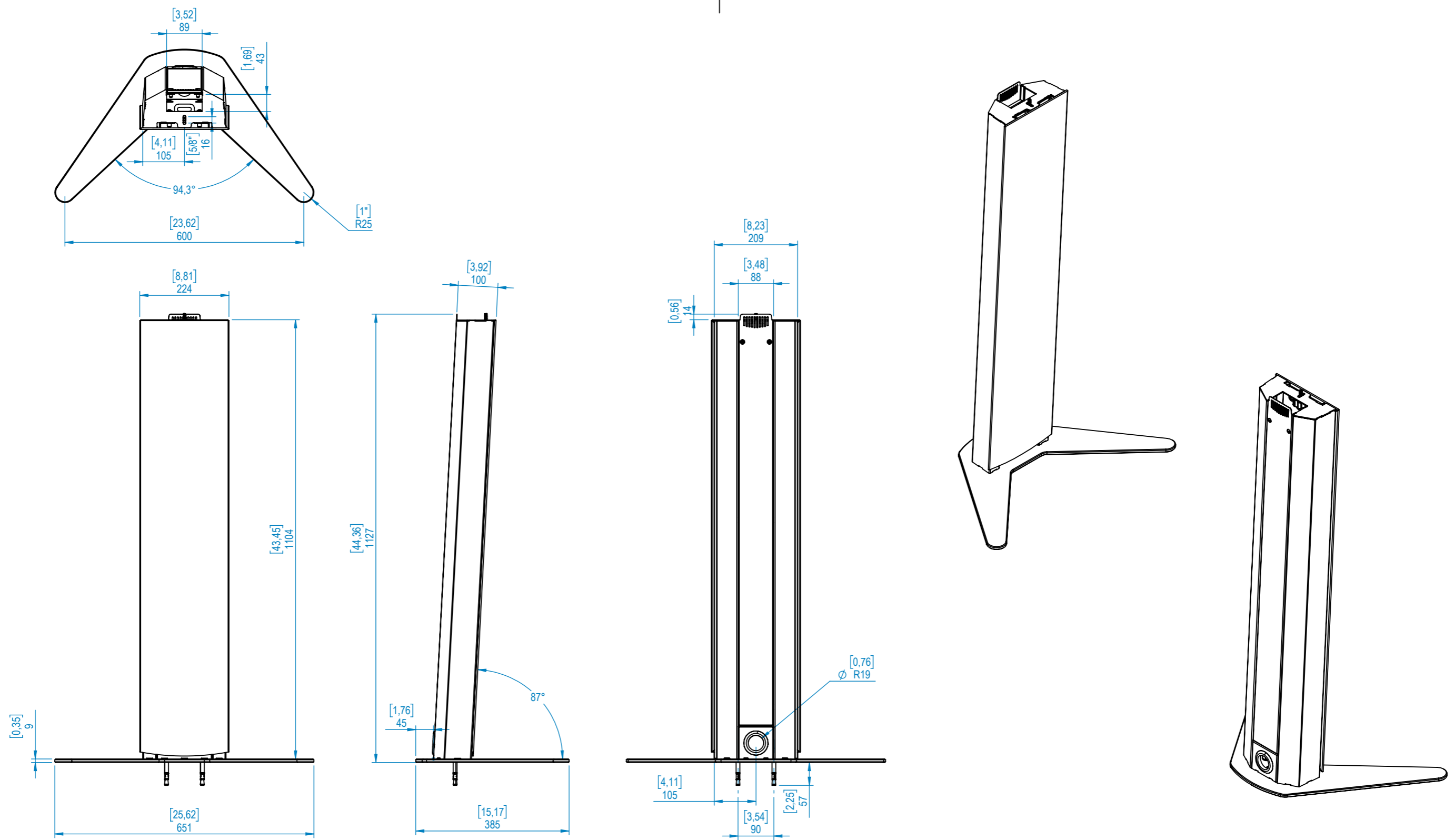


1 2 3 4 5 6 7 8

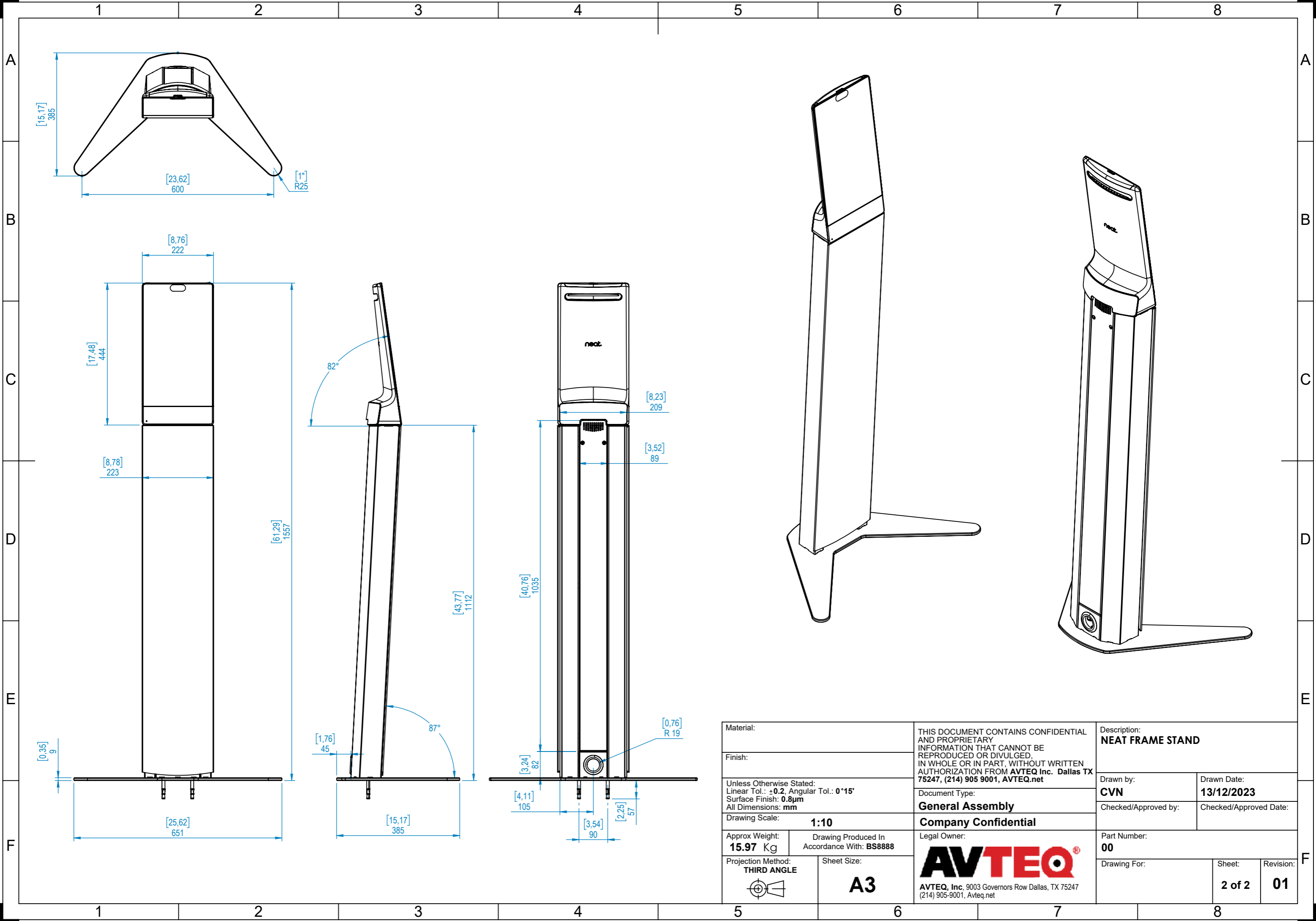
A
B
C
D
E
F

A
B
C
D
E
F



Material:		THIS DOCUMENT CONTAINS CONFIDENTIAL AND PROPRIETARY INFORMATION THAT CANNOT BE REPRODUCED OR DIVULGED, IN WHOLE OR IN PART, WITHOUT WRITTEN AUTHORIZATION FROM AVTEQ Inc. Dallas TX 75247, (214) 905 9001, AVTEQ.net	Description: NEAT FRAME STAND	
Finish:			Drawn by: CVN	Drawn Date: 13/12/2023
Unless Otherwise Stated: Linear Tol.: ±0.2, Angular Tol.: 0°15' Surface Finish: 0.8µm All Dimensions: mm		Document Type: General Assembly		Checked/Approved by:
Drawing Scale: 1:10		Company Confidential		Checked/Approved Date:
Approx Weight: 15.97 Kg	Drawing Produced In Accordance With: BS8888	Legal Owner: AVTEQ®		Part Number: 00
Projection Method: THIRD ANGLE	Sheet Size: A3	AVTEQ, Inc. 9003 Governors Row Dallas, TX 75247 (214) 905-9001, Avteq.net		Drawing For:
				Sheet: 1 of 2
				Revision: 01

1 2 3 4 5 6 7 8



Material:		THIS DOCUMENT CONTAINS CONFIDENTIAL AND PROPRIETARY INFORMATION THAT CANNOT BE REPRODUCED OR DIVULGED, IN WHOLE OR IN PART, WITHOUT WRITTEN AUTHORIZATION FROM AVTEQ Inc. Dallas TX 75247, (214) 905 9001, AVTEQ.net		Description: NEAT FRAME STAND	
Finish:		Unless Otherwise Stated: Linear Tol.: ±0.2, Angular Tol.: 0°15' Surface Finish: 0.8µm All Dimensions: mm		Drawn by: CVN	
Drawing Scale: 1:10		Document Type: General Assembly		Drawn Date: 13/12/2023	
Approx Weight: 15.97 Kg		Drawing Produced In Accordance With: BS8888		Checked/Approved by:	
Projection Method: THIRD ANGLE		Sheet Size: A3		Checked/Approved Date:	
Legal Owner: AVTEQ AVTEQ, Inc, 9003 Governors Row Dallas, TX 75247 (214) 905-9001, Avteq.net		Part Number: 00		Drawing For:	
				Sheet: 2 of 2	
				Revision: 01	