

DynamiQ 400

Height-Adjustable Wall Mount

The DynamiQ™ 400 height adjustable wall mount is the perfect solution for interactive touch panels in the classroom and other collaborative spaces. The mount is compatible with most interactive panels and supports VESA patterns from 200x200 up to 800x600.

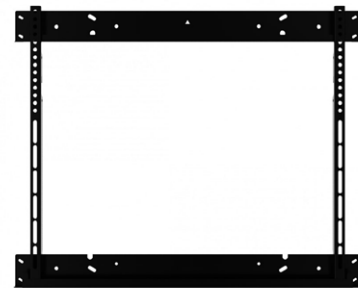
The DynamiQ 400 wall mount uses spring technology to support the display and provides easy glide vertical movement with a slight manual touch. The height-adjustable mount supports 15.75" of vertical movement and supports displays from 50.7 to 209 lbs.

FEATURES

- Supports a single display up to 209 lbs
- VESA adapter included (200x200 up to 800x600)
- Spring-weighted technology
- Adjusts vertically up to 15.75"
- UL recognized and CE (ISO 60950)
- Reliability to 60,000 cycles
- Black powder coat finish

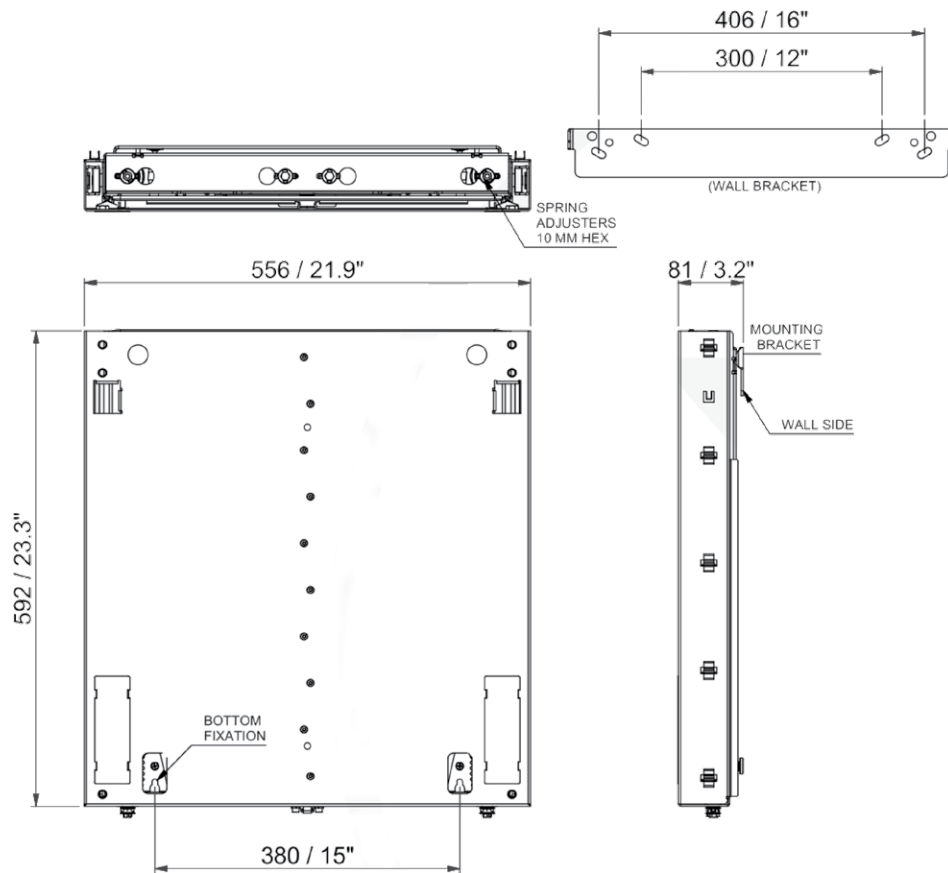


DynamiQ 400
AVT-BB400-40



VESA Adapter
200x200 up to 800x600

DIMENSIONS



NOTE: Add the weight of the display plus the weight of the VESA bracket to determine which part number to order.

SPECIFICATIONS	
Part Number	AVT-BB400-40 AVT-BB400-70 AVT-BB400-90
Single Display Size	42-86"
Dimensions (HxWxD)	23.6 x 22 x 2.9 Inches (599 x 559 x 74 mm)
Vertical Adjustment	15.75"
Load Capacity	
AVT-BB400-40	50.7 - 94.7 lbs.
AVT-BB400-70	90.4 - 152 lbs.
AVT-BB400-90	145.5 - 209 lbs.



Call 800.285.8315 or visit AVTEQ.net