

Cisco® Room Navigator Wall Mounts

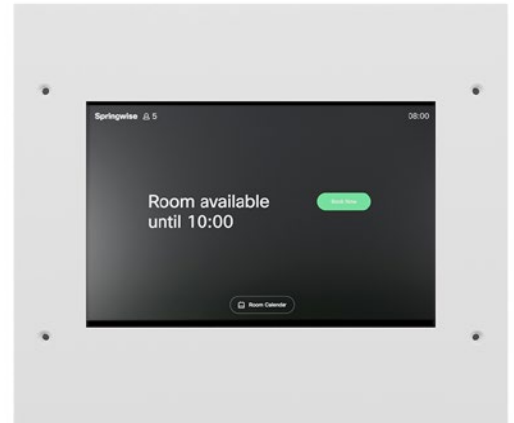
The Cisco Room Navigator control unit provides touch control access to several room controls, such as: controlling Cisco videoconferencing systems, booking a room and controlling amenities within the room. Mounting the Cisco Room Navigator on a wall provides easy access to launch and end video and/or audio conference meetings. In addition, wall mounts help prevent theft and misplaced units.

AVTEQ offers two wall mounting solutions that are compatible with a table-stand unit or a wall-mounted unit the Cisco Room Navigator:

- In-wall mount (CN-WMP)
- Surface wall mount (CN-SM)

The in-wall box offers added security and easy access for users in any room. In addition, the in-wall box fits within a standard wall depth and the faceplate secures the Cisco Room Navigator. The mount works with pre-construction or post.

The surface wall mount is installed directly on the surface of the wall or attached to a 1-gang or 2-gang wall box. Once the mount is installed, the Cisco Room Navigator unit easily slides into the mount and is secured with a set screw at the bottom of the mount.



FEATURES

In-Wall Mount

- In-wall, mount unit
- Wall box with finishing cover – hardware included
- Gloss white finish
- TAA-Compliant

Surface Wall Mount

- Mounts directly onto wall
- Matte white finish
- TAA-compliant



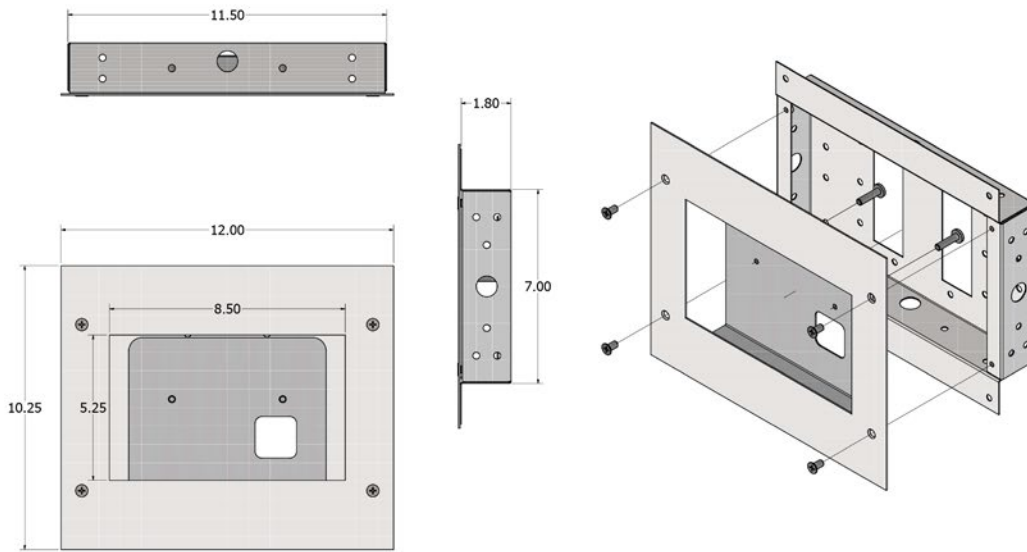
In-Wall Mount



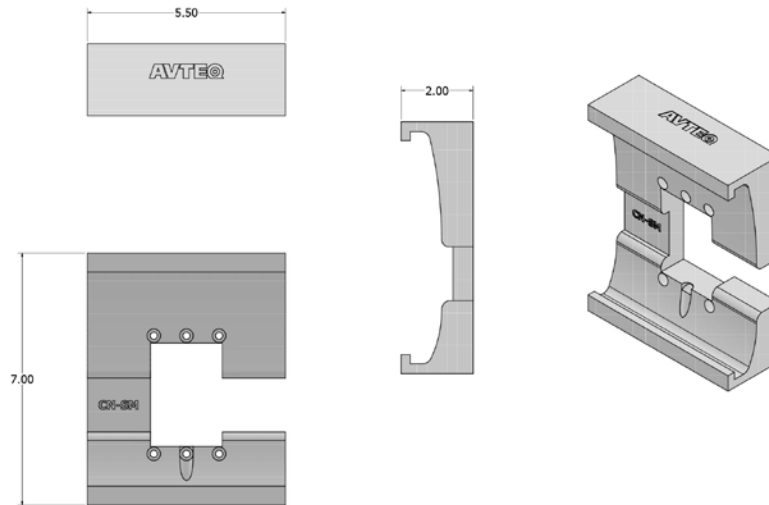
Surface Wall Mount

DIMENSIONS

Cisco Room Navigator In-Wall Mount



Cisco Room Navigator Surface Wall Mount



SPECIFICATIONS

| | |
|--------------------|--|
| Part Number | In-Wall Mount: CN-WMP Surface Wall Mount: CN-SM |
| Dimensions (HxWxD) | |
| CN-WMP | |
| In-Wall Box | 7 x 11.5 x 1.8 Inches (178 x 292 x 46 mm) |
| In-Wall Face Plate | 10.25 x 12 x 1.33 Inches (260 x 305 x 34 mm) |
| CN-SM | 7 x 5.5 x 2 Inches (178 x 140 x 51 mm) |



Call 800.285.8315 or visit AVTEQ.net