

Neat Frame Floor Stand

The Neat Frame Floor Stand supports the Neat Frame tablet. The stand is perfect for open area meeting rooms, lobby displays, a virtual assistant in office lobbies, and other spaces where wall mounting is not an option.

It's sturdy, free-standing design makes it easy to move and place the stand where needed.

FEATURES

- Black powder coat finish
- 100% solid steel construction
- TAA-compliant

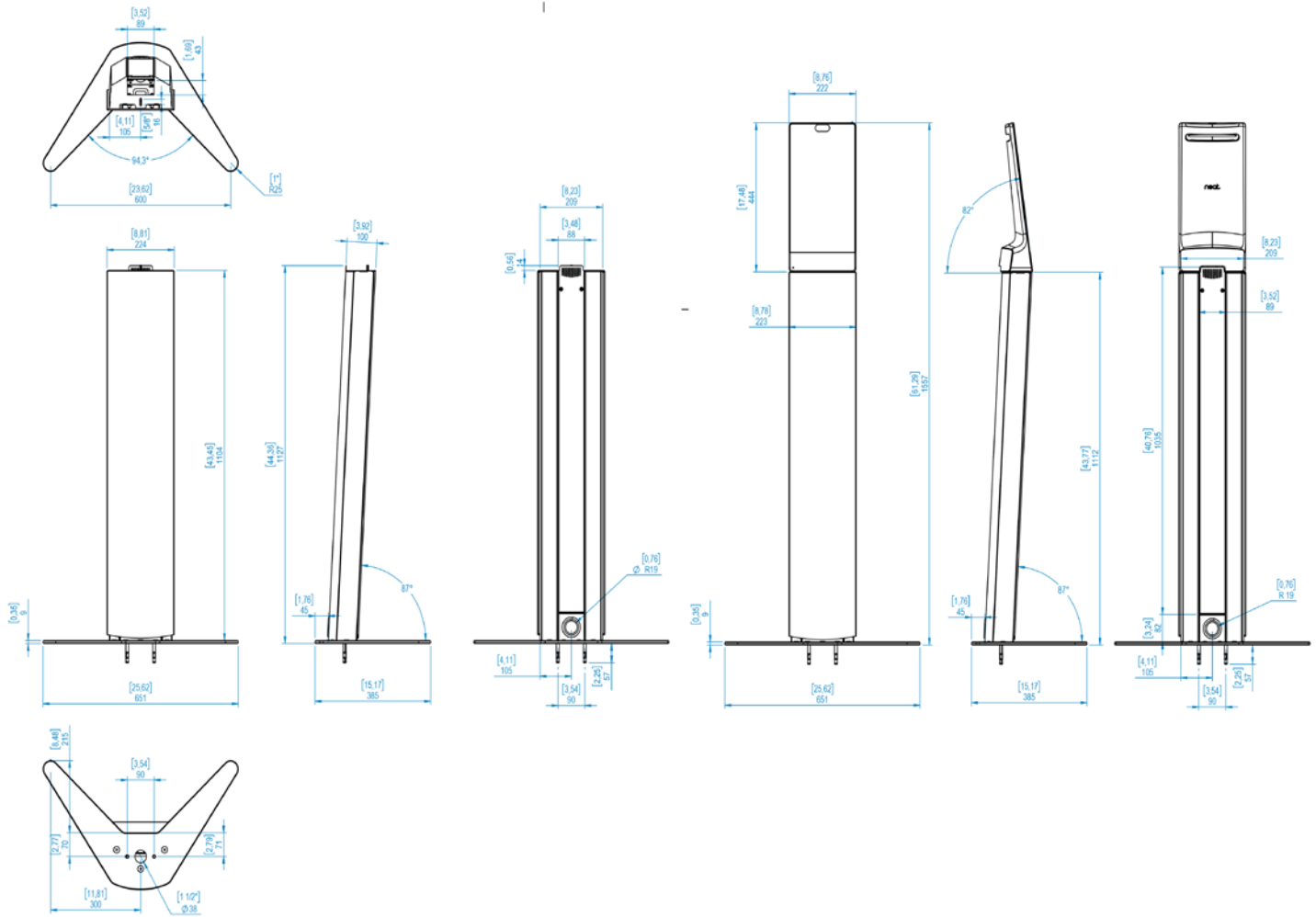


Neat Frame Floor Stand Angled View



Front and back view without
Neat Frame tablet

DIMENSIONS



SPECIFICATIONS

Part Number	NEATFRAME-STAND
Dimensions (HxWxD)	
Neat Frame Floor Stand	43 x 26 x 15 Inches (1092 x 660 x 381 mm)



Call 800.285.8315 or visit AVTEQ.net