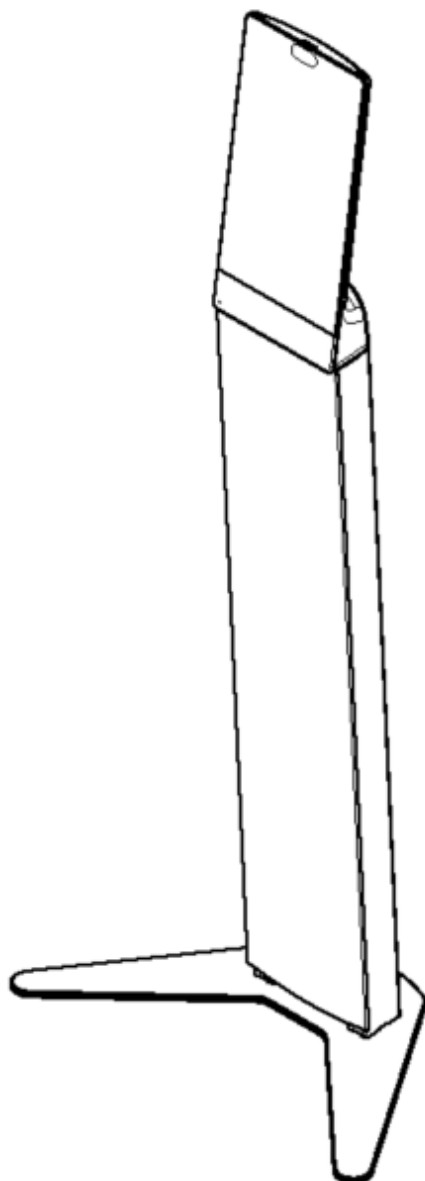




Install Guide

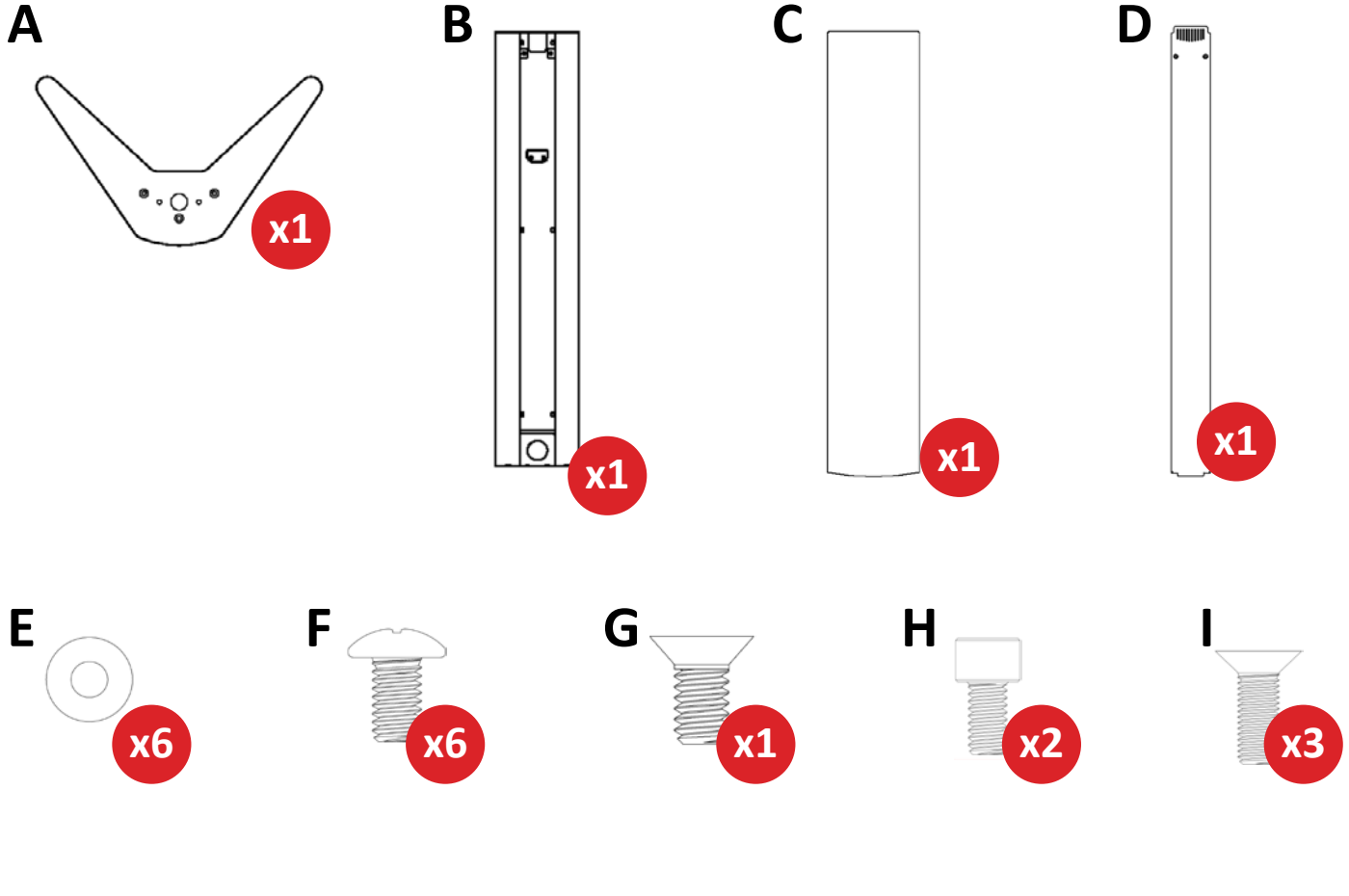
Neat Frame Floor Stand

NEATFRAME-STAND



PACKAGE CONTENTS

Included with Neat Frame Floor Stand:



A. Base plate [x1]

F. Round 1/4-20 1/2" screw [x6]

B. Body column [x1]

G. Flat 1/4-20 1/2" screw [x1]

C. Front cover [x1]

H. Socket M6x1.0 10mm long screw [x2]

D. Rear cover [x1]

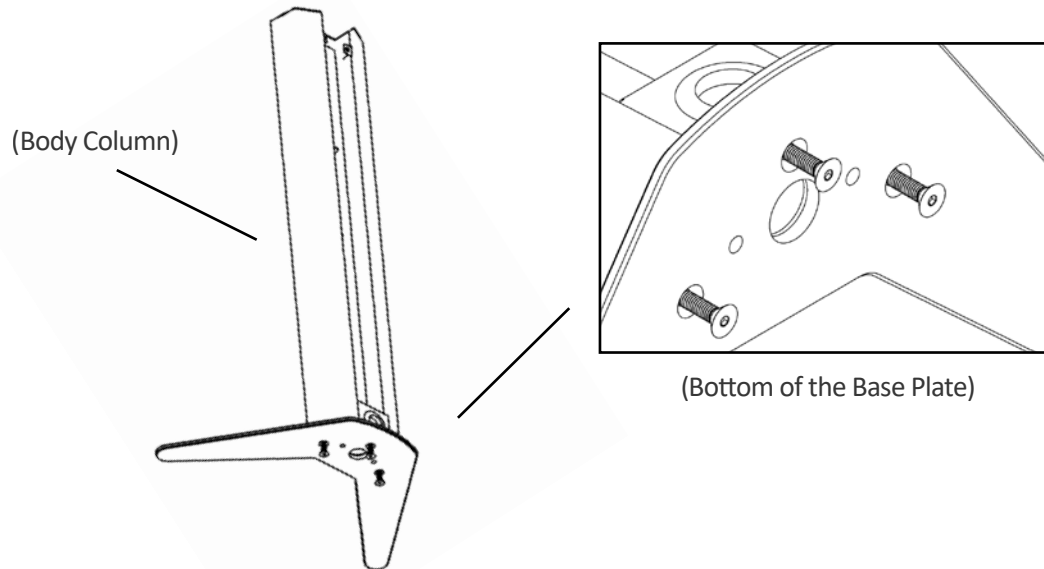
I. Flat 3/8-16 1.25" screw [x3]

E. 1/4" Washer [x6]

STEP 1

Secure base to body column

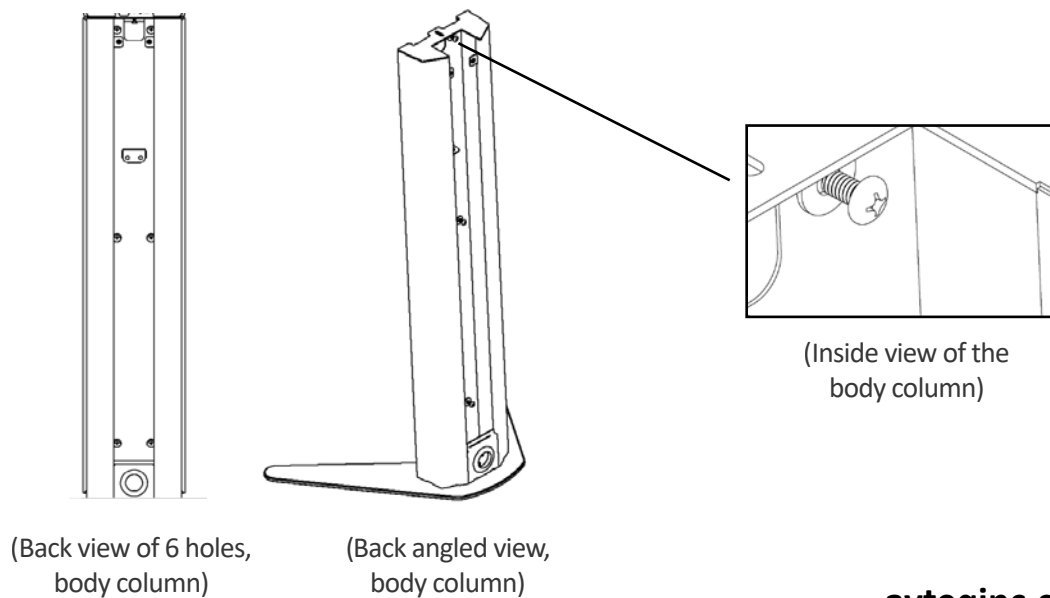
- Place body column (B) on top of the base plate (A) and screw it on from the bottom of the base plate with [x3] flat headed 3/8-16 1.25" screws (I).



STEP 2

Secure front cover to body column

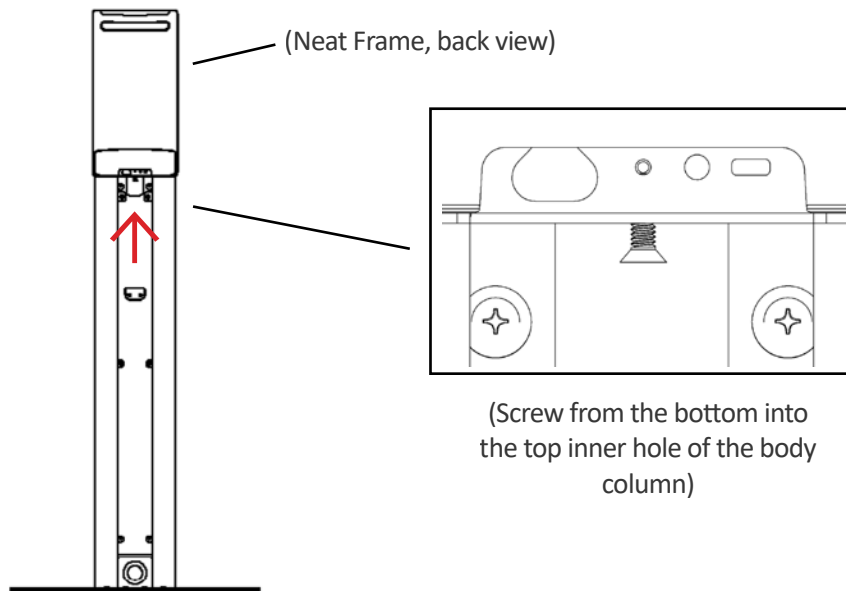
- Slide the front cover (C) onto the front of the body column (B).
- Screw [x6] round 1/4-20 1/2" screws (F) with [x6] 1/4" washers (E) into the inner six holes from behind the body column to secure the front cover.



STEP 3

Secure the Neat Frame

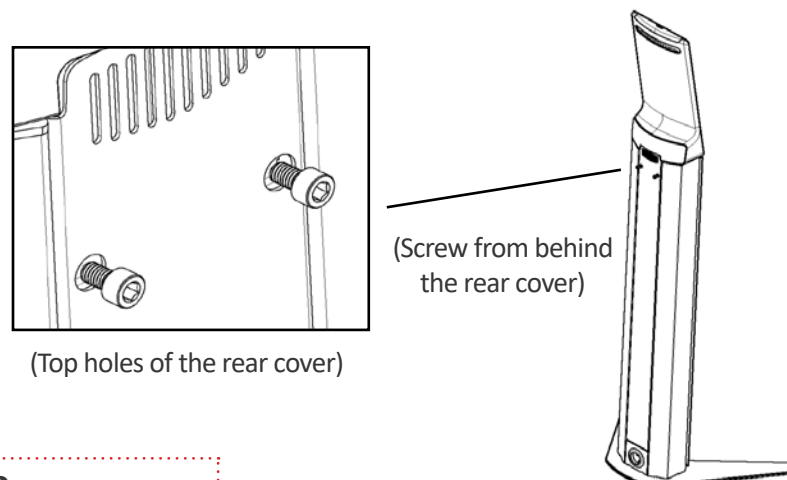
- Place the Neat Frame on top of the body column (B).
- Secure the Neat Frame with a [x1] flat 1/4-20 1/2" screw (G). Screw from the bottom into the top inner hole of the body column.



STEP 4

Secure rear cover to body column

- Place the rear cover (D) behind the body column (B).
- Secure the rear cover using a wrench and [x2] socket M6x1.0 10mm screws (H) and screw into the two top holes of the rear cover.



Have a question?

Contact us at support@avteqinc.com