

RPS-500

Mobile Cart for Cisco Boards

Add mobility and flexibility to your collaborative workspaces with the RPS-500 mobile display cart. The RPS-500 provides specialized mounts for Cisco Boards:

- Cisco Board 55
- Cisco Board Pro 55
- Cisco Board 70
- Cisco Board Pro 75

The adjustable rack shelf offers 10RU of space and is ideal for a codec or the Cisco Room Navigator touch panel.

The DynamiQ RPS-500 is an adjustable-height mounting model as part of AVTEQ's DynamiQ series.

FEATURES

[RPS-500-CSB55](#) | [RPS-500-CSB70](#)

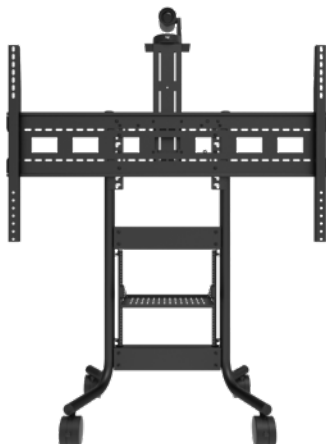
- Custom mount for Cisco® Board 55 or 70
- Cisco Board mounting kit
- 10RU rack shelf
- One adjustable height rack shelf
- Adjustable videoconferencing camera shelf
- 5" casters, two locking
- 6-port surge protector
- Cable management features
- 100% solid steel construction
- TAA-compliant

The RPS-500 ships unassembled, palletized.

* Contact your AVTEQ sales rep for displays to confirm compatibility.



RPS-500-CSB-55



RPS-500-CSB-70

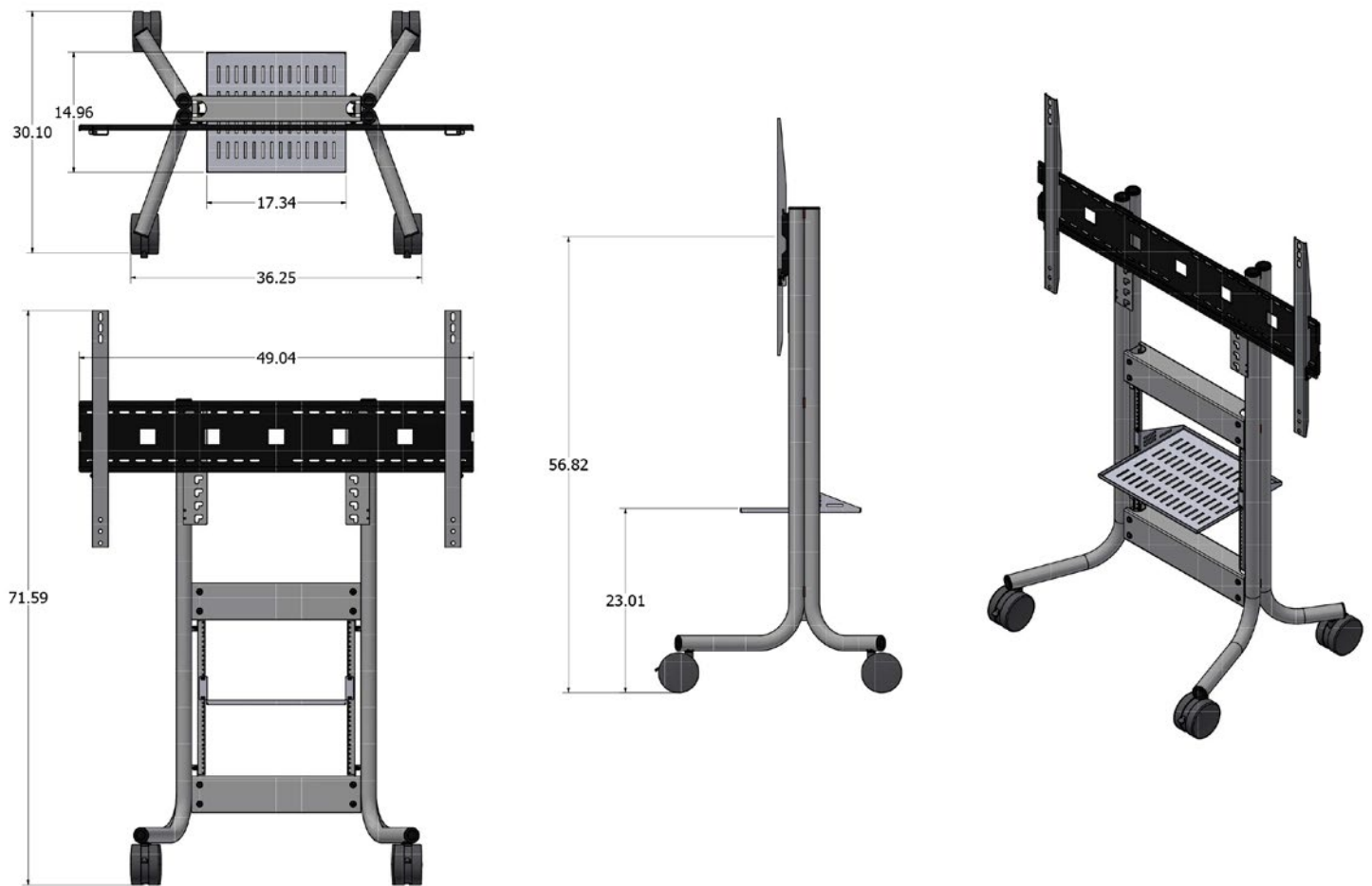


RPS-500-CSB-55



RPS-500-CSB-70

DIMENSIONS (RPS-500-CSB55)



SPECIFICATIONS

Part Number	RPS-500-CSB55 RPS-500-CSB70
Display Sizes	Cisco Webex Board 55/Webex Board Pro 55 Cisco Webex Board 70/Pro 75
Dimensions (H x W x D)	
RPS-500-CSB55	61 x 37 x 26 Inches (1549.4 x 939.8 x 660.4 mm)
RPS-500-CSB70	61 x 62 x 26 Inches (1549.4 x 1574.8 x 660.4 mm)
Rack Space	10RU
Load Capacity	250 lbs.

* Contact your AVTEQ sales rep for displays to confirm compatibility.

ACCESSORIES



Additional Accessory Shelf
RPS-AS5



Heavy Duty 6" Casters
HDC-6



Poly Studio X Mounts
POLY-X-24 | POLY-X-32
POLY-X-42 | POLY-X-48



Cisco Room Kit Mounts
CRK-ABV-24 | CRK-ABV-32
CRK-ABV-42 | CRK-ABV-48
CRK-BLW-24 | CRK-BLW-32
CRK-BLW-42 | CRK-BLW-48



Logitech Rally Bar Mount
LRC-MOUNT-24 | LRC-MOUNT-32
LRC-MOUNT-42 | LRC-MOUNT-48



Yealink MeetingBar
YEA-24 | YEA-32
YEA-42 | YEA-48



Neat Bar and Bar Pro Mount
NEAT-BRK-24 | NEAT-BRK-32
NEAT-BRK-42 | NEAT-BRK-48



Call 800.285.8315 or visit [AVTEQ.net](https://www.avteq.net)