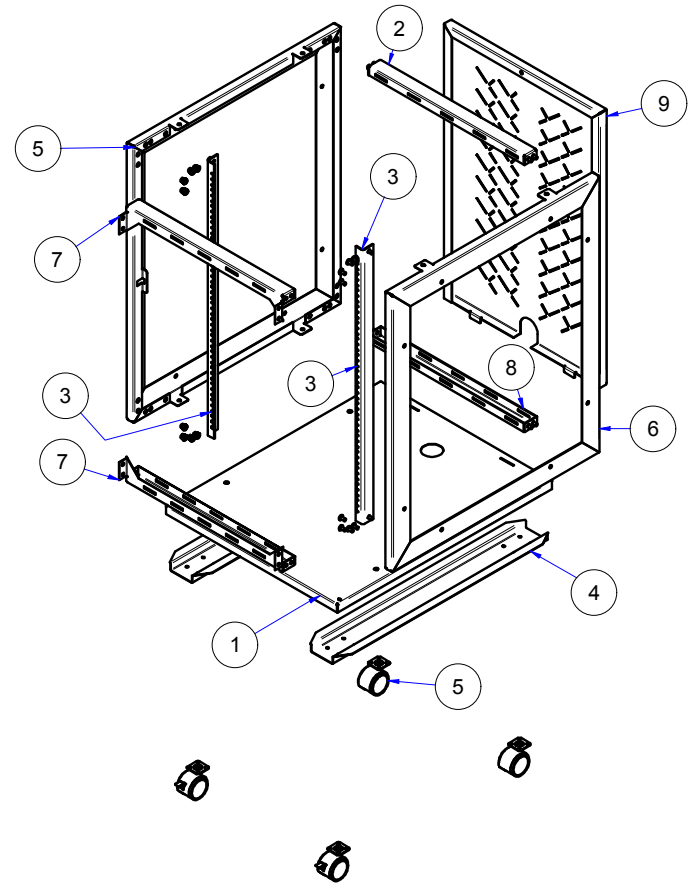
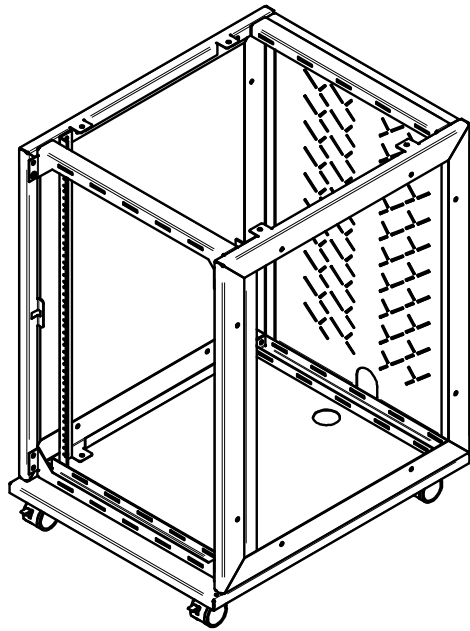



PARTS LIST		
ITEM	PART NUMBER	QTY
1	PI0156D012 Tapa lamina inferior V02	1
2	PI0156D005 Travesaño trasero superior V01	1
3	PI0156D007 Rack V01	2
4	PI0156D016 Omega V02	2
5	PI0156DSA002 Soldadura marco lateral izquierdo V03	1
6	PI0156DSA001 Soldadura marco lateral derecho V03	1
7	PI0156D014 Travesaño frontal V04	2
8	PI0156D004 Travesaño trasero inferior V00	1
9	PI0156D006 tapa trasera V02	1



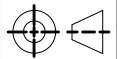
AVTEQ TOLERANCES	
Assemble Finished Product Finished Product: +/- 1.5 mm	
Welding Assemble Diagonals: +/- 1.5 mm	Final Measure +/- 1.5 mm
Bend Final Measure: +/- 1 mm	Bend Angle: +/- 1°
Punch Distance between centers: +/- 0.4 mm	Shears +/- 0.5 mm

CHANGE CONTROL		
DESCRIPCION / DESCRIPTION		
FECHA / DATE:	APROBO / APPROVED BY:	REALIZO / REALIZED BY:
PESO / WEIGHT: N/A		AREA: N/A

NOMBRE PIEZA / PART NAME:		
ENSAMBLE CC-50		
PROYECTO / PROJECT:		
PI0156DA Rack gabinete 16		
CANTIDAD / QUANTITY:	MATERIAL:	
1	N/A	
DISEÑO / DESIGN BY:	APROBO / APPROVED BY:	VERIFICO / VERIFIED BY:
CRE	HFRA	JLPG

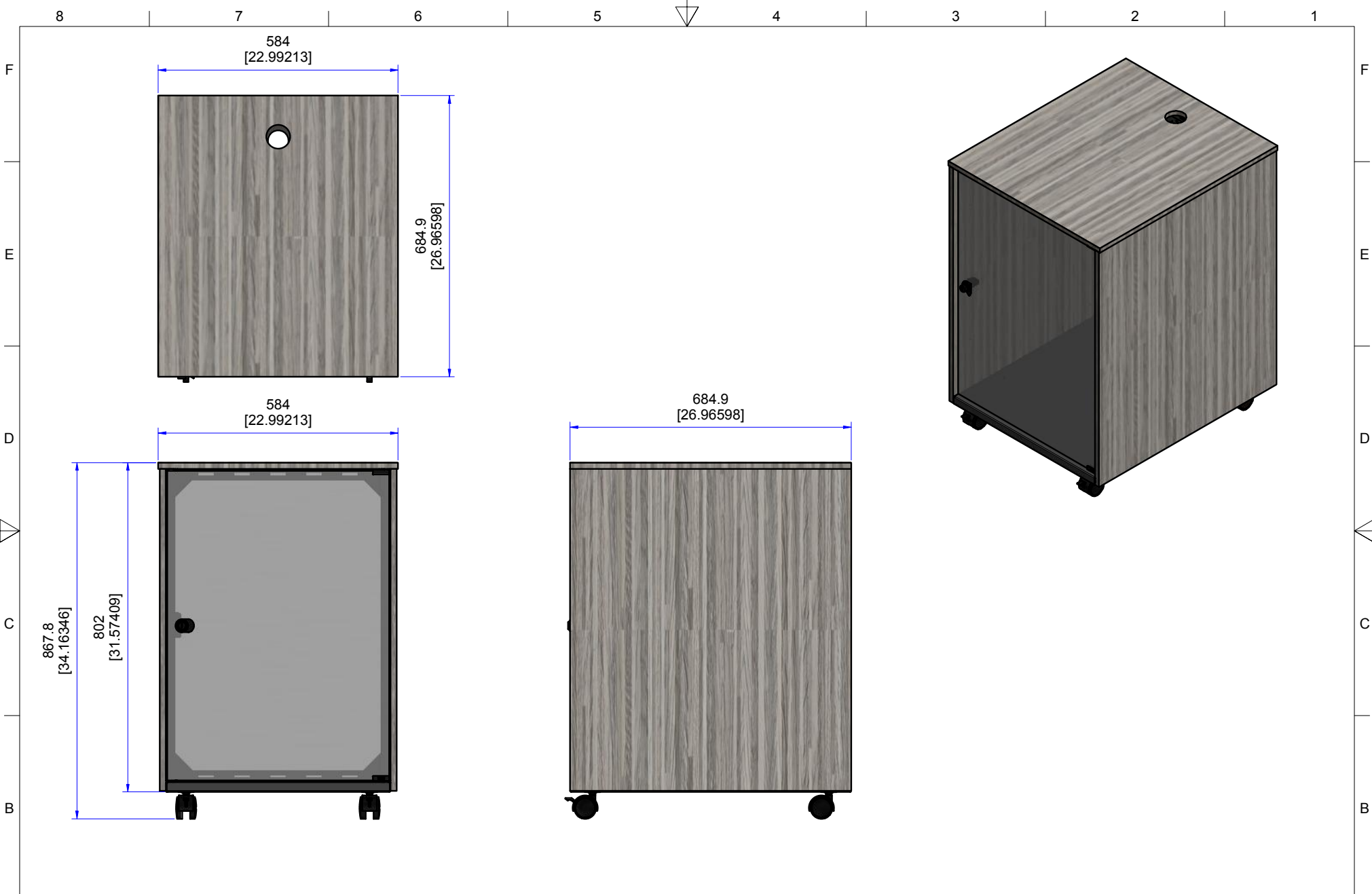
VERSION No.	 Furniture Engineered For Today's Technology
00	
ESCALA / SCALE N.E.A.E.	PI0156DSA005
FECHA / DATE: 09/04/2014	

PAG. No. **1** / **2**



UNIDADES / UNITS
mm

EXCLUSIVE PROPRIETARY DRAWING OF AVTEQ, FULL OR PARTIAL REPRODUCTION IS PROHIBITED. FDI-03-V4



AVTEQ TOLERANCES		CHANGE CONTROL			NOMBRE PIEZA / PART NAME:			VERSION No.	
Assemble Finished Product Finished Product: +/- 1.5 mm		DESCRIPCION / DESCRIPTION			ENSAMBLE CC-50			00	
Welding Assemble Diagonals: +/- 1.5 mm		FECHA / DATE:			PROYECTO / PROJECT:			ESCALA / SCALE	
Final Measure +/- 1.5 mm					APROBO / APPROVED BY:			PI0156DA Rack gabinete 16	
Bend Final Measure: +/- 1 mm		REALIZO / REALIZED BY:			MATERIAL:			FECHA / DATE:	
Angle: +/- 1°					N/A				
Punch Distance between centers: +/- 0.4 mm		PESO / WEIGHT: N/A			DISEÑO / DESIGN BY:			PI0156DSA005	
Shears +/- 0.5 mm					CRE				
UNIDADES / UNITS		AREA: N/A			VERIFICO / VERIFIED BY:			09/04/2014	
mm					HFRA				
					JLPG				
EXCLUSIVE PROPRIETARY DRAWING OF AVTEQ, FULL OR PARTIAL REPRODUCTION IS PROHIBITED. FDI-03-V4									



PI0156DSA005