

ELT-2000

Fixed Height Floor Stand for Single and Dual Displays

The ELT-2000 AV floor stand is designed for large displays. It can support a single display and dual displays up to 86". Larger displays, including the Microsoft Surface Hub, require an extended base to support the additional weight. The ELT-2000 is perfect for any videoconferencing or telepresence environment.

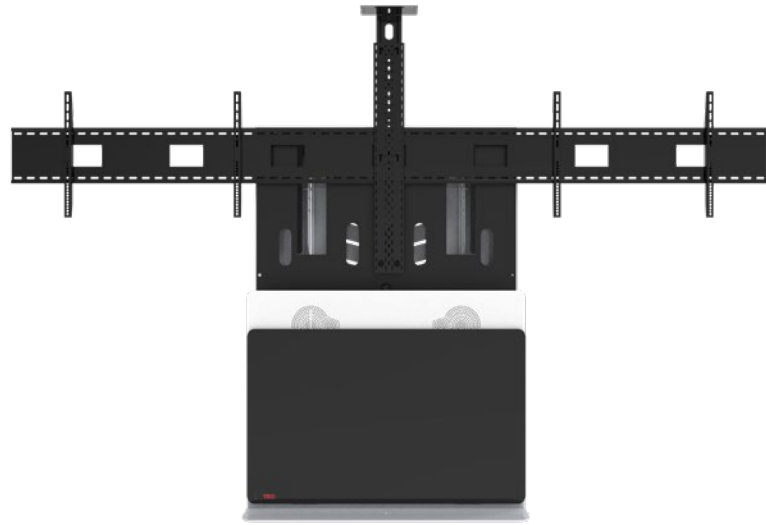
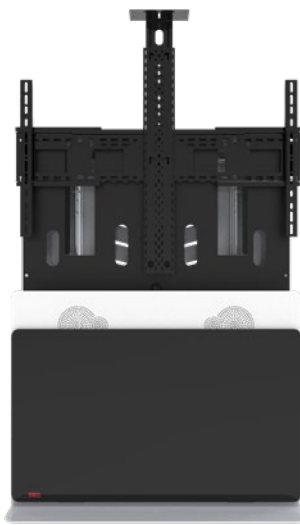
FEATURES

- 10RU within front slide-out drawer
- Powered speaker
- Universal display mount
- Adjustable camera shelf
- Locking front door
- 6-port surge protector
- One dual gang knockout
- Cable management features
- 100% solid steel construction

Optional base may be required for displays over 90".
Contact AVTEQ for more information.

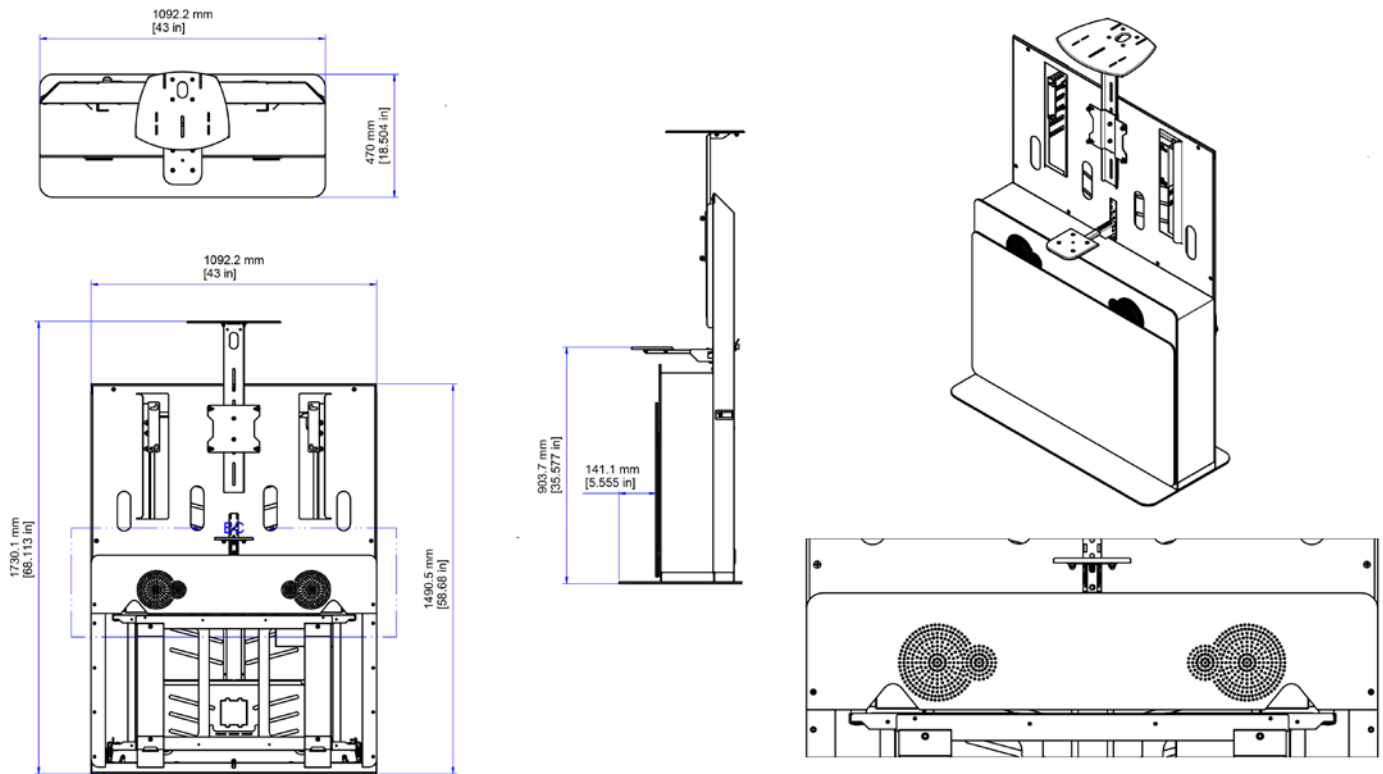


ELT-2000S for single displays



ELT-2000L for dual displays

DIMENSIONS



SPECIFICATIONS

| | |
|-----------------------------|--|
| Part Number & Display Sizes | ELT-2000S: Single displays up to 85" ELT-2000L: Dual displays up to 75" ELT-2000S-NOPSM: Single displays up to 85", no speaker included ELT-2000L-NOPSM: Dual displays up to 75", no speaker included |
| Dimensions (HxWxD) | |
| Exterior | 58.5 x 43 x 18.5 Inches (1485.9 x 1092.2 x 469.9 mm) |
| Rack (D) | 16 Inches (406.4 mm) |
| Rack Space | 10RU |
| Load Capacity | 400 lbs. |

* Extended base (EB) required for displays over 80". Contact your AVTEQ representative for more information.

ACCESSORIES



Additional Accessory Shelf
US-1



Poly Studio X Mounts
POLY-X-24 | POLY-X-32
POLY-X-42 | POLY-X-48



Cisco Room Kit Mounts
CRK-ABV-24 | CRK-ABV-32 |
CRK-ABV-42 | CRK-ABV-48
CRK-BLW-24 | CRK-BLW-32 |
CRK-BLW-42 | CRK-BLW-48



Logitech Rally Bar Mount
LRC-MOUNT-24 | LRC-MOUNT-32
LRC-MOUNT-42 | LRC-MOUNT-48



Yealink MeetingBar
YEA-24 | YEA-32 | YEA-42 | YEA-48



Neat Bar and Bar Pro Mount
NEAT-BRK-24 | NEAT-BRK-32
NEAT-BRK-42 | NEAT-BRK-48



Poly TC8 Cradle
TC8-MNTKIT



Cisco Room Navigator Cradle
CN-MNTKIT



Logitech Tap Cradle
LTAP-MNTKIT



Call 800.285.8315 or visit AVTEQ.net