

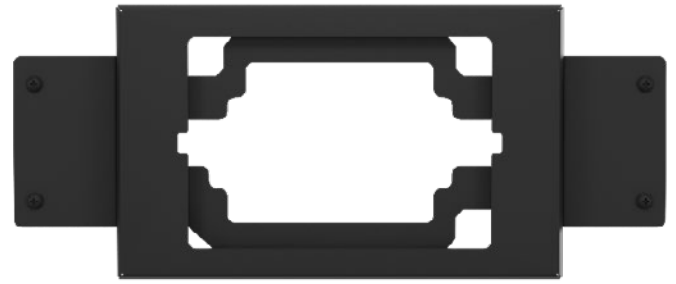
Cisco Room Navigator Rack Mount

The Avteq Cisco Room Navigator Rack Mount is designed to safely secure the Room Navigator touch panel to the Avteq RPS-500 mobile cart or other rack component.

The mount attaches to the rack rails on the RPS-500 and may be positioned above or below the standard rack shelf, or may replace the shelf. The Room Navigator mount works with any 19" rack and can be adjusted to tilt for improved viewing and usability.

FEATURES

- Rack mounted
- Mounting hardware included
- Black powder coat finish
- 100% solid steel construction



CN-RM

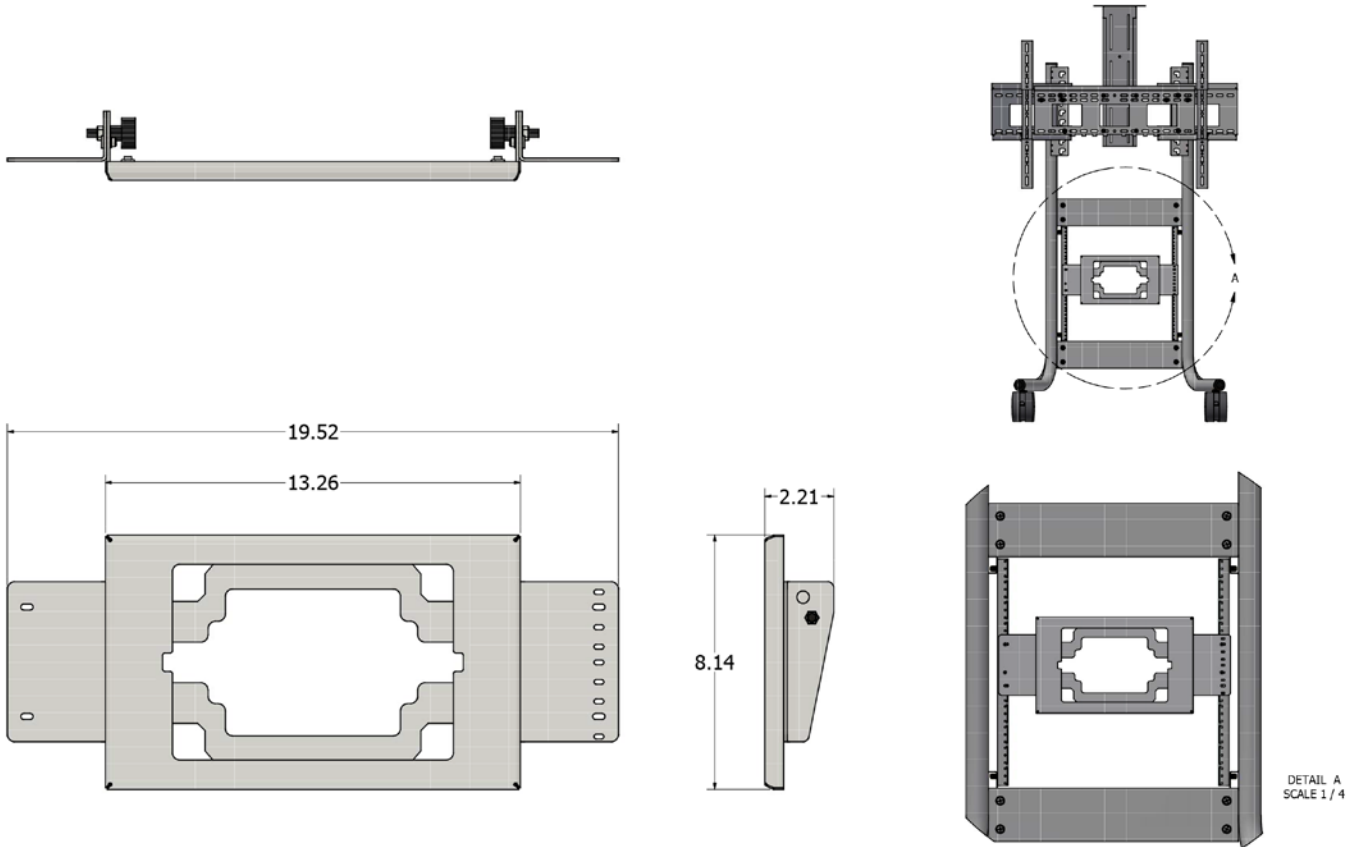


Shown with Cisco Room Navigator



RPS-500S with CN-RM

DIMENSIONS



SPECIFICATIONS

Part Number	CN-RM
Dimensions (HxLxW)	
Rack (W)	19.52 inches (495.8 mm)
Face Plate	8.14 x 13.26 x 2.2 inches (207 x 337 x 56 mm)



Call 800.285.8315 or visit AVTEQ.net

© 2024 Avteq Inc. All rights reserved. All specifications subject to change without notice. Trademarks used herein are the property of Avteq Inc. or of their respective owners.

#CNRM0424