

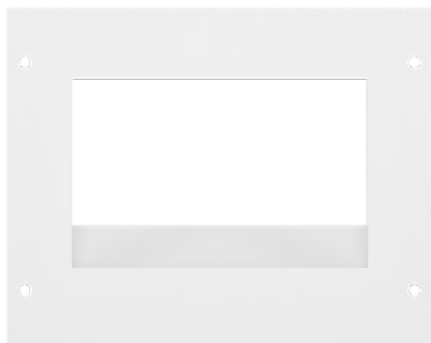
Poly TC8 In-Wall Mount

Poly TC8 mounts are available in an in-wall or surface wall mount model. These mounts add security and reliability to your TC8 panel which works seamlessly with the Poly Studio X family and G7500. The Poly in-wall box is designed specifically for the Poly TC8 touch panel.

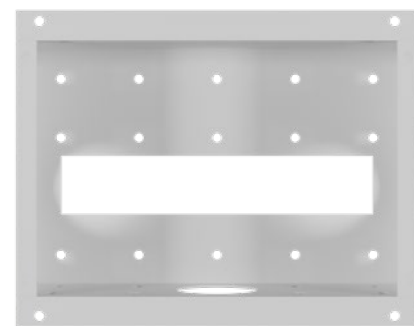
Installing the TC8 on the wall prevents possible damage and loss of the unit and provides easy access to the touch screen controller for maximum usability. The panel fits securely inside the in-wall box. In addition, the in-wall box fits within a standard wall depth and the faceplate secures the TC8 panel. The mount works with pre-construction or post and comes standard in a glossy white finish.

FEATURES

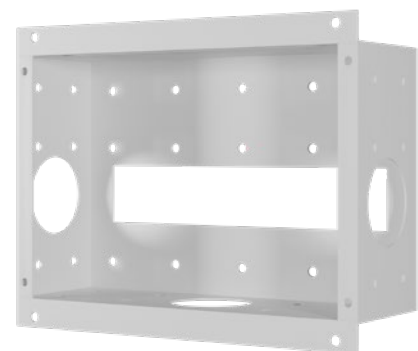
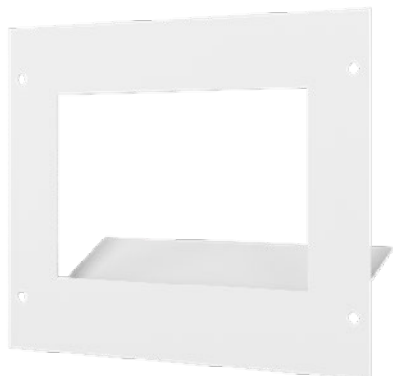
- In-wall, mount unit
- Wall box with finishing cover – hardware included
- Gloss white finish
- TAA compliant



Face Plate

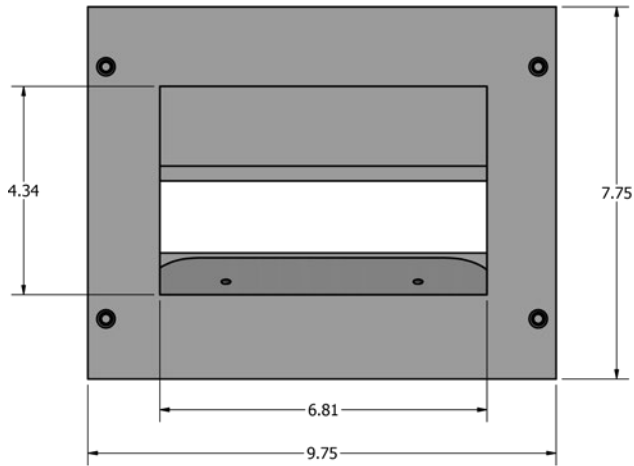


In-wall Box

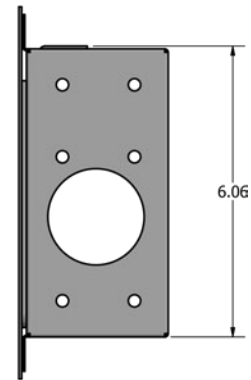


DIMENSIONS

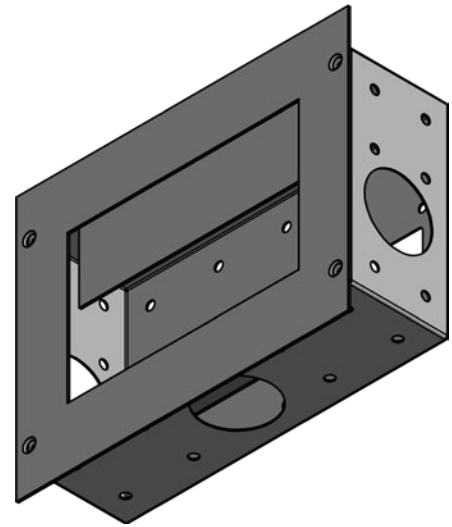
Front



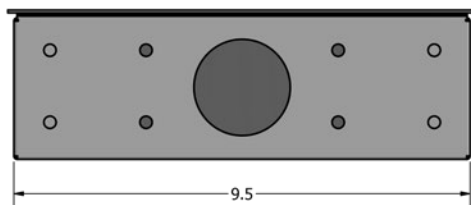
Side



Isometric



Top



SPECIFICATIONS

| | |
|--------------------|--|
| Part Number | TC8-WMP |
| Dimensions (HxWxD) | |
| In-wall box | 6.06 x 9.5 x 3 Inches (154 x 241 x 76 mm) |
| Faceplate | 7.75 x 9.75 x 1 Inches (197 x 248 x 25 mm) |



Call 800.285.8315 or visit AVTEQ.net