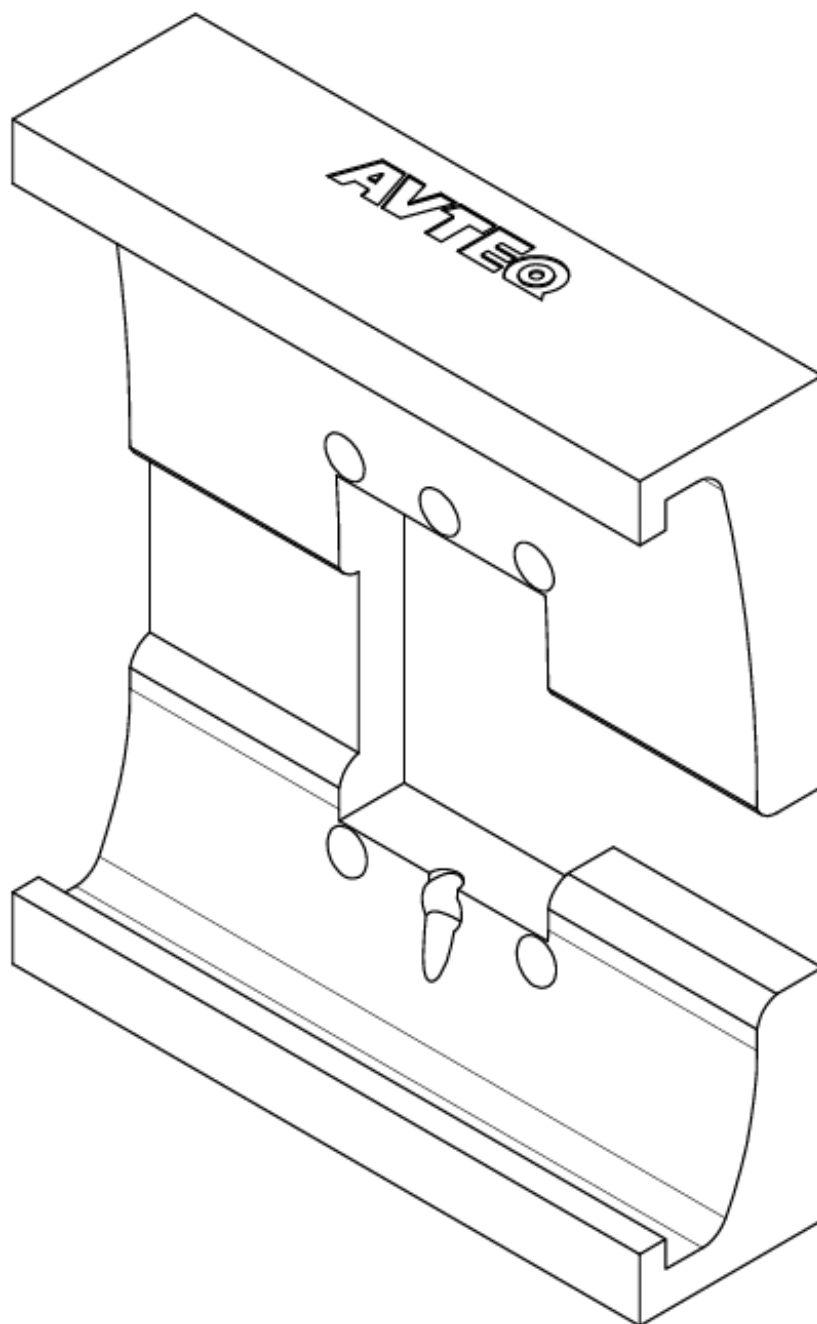




# Install Guide

---

Cisco Room Navigator Surface Wall Mount (CN-SM)

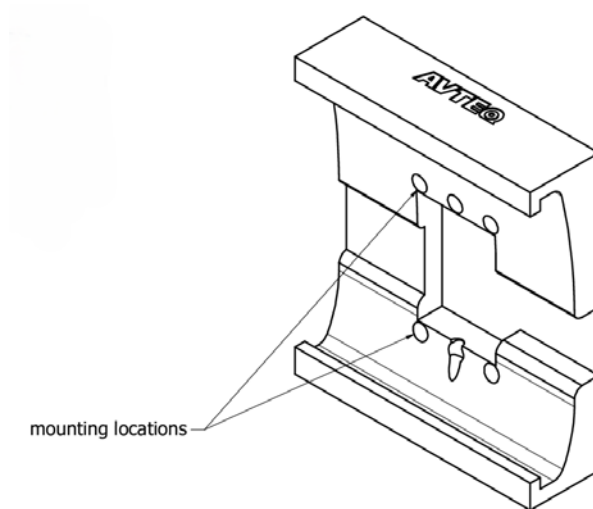


## STEP 1

### Mount the CN-SM

Mount the CN-SM in one of two methods:

- A) Place the CN-SM over a one gang or two gang wall box. Line up the holes and attach the proper hardware for your wall box.
- B) Mount the CN-SM directly to the wall using wall anchors.



### Have a question?

Contact us at [support@avteqinc.com](mailto:support@avteqinc.com)

## STEP 2

### Secure the Navigator Panel to CN-SM

- Remove the table stand from the Navigator Panel.
- Slide the Navigator Panel into the CN-SM from the right side (open side) of the mount until it stops. It should slide easily until the tabs on the back of the touch panel and come into contact with the wall mount.
- Use the 10-24 set screw provided to lock the tablet in place.

