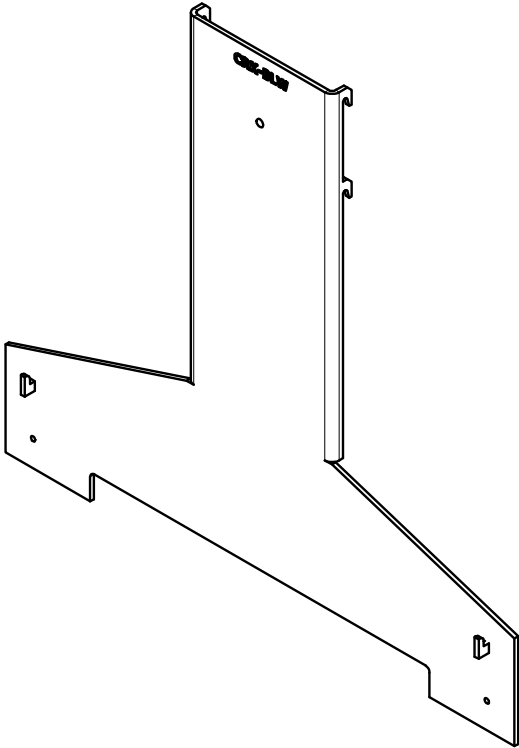
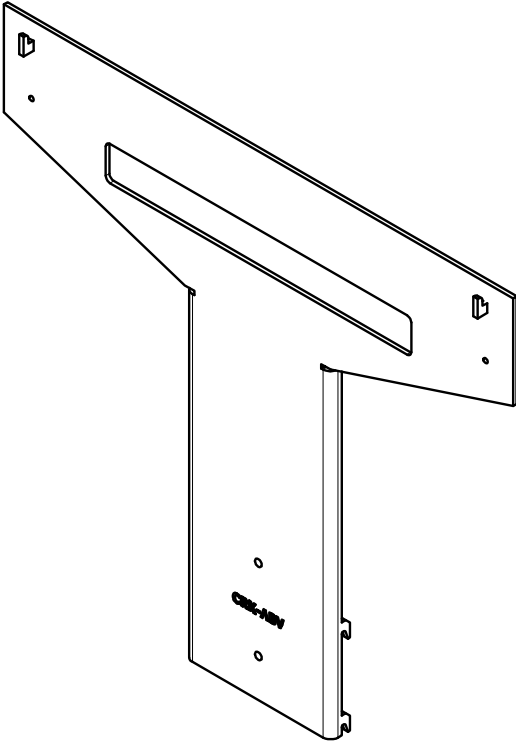




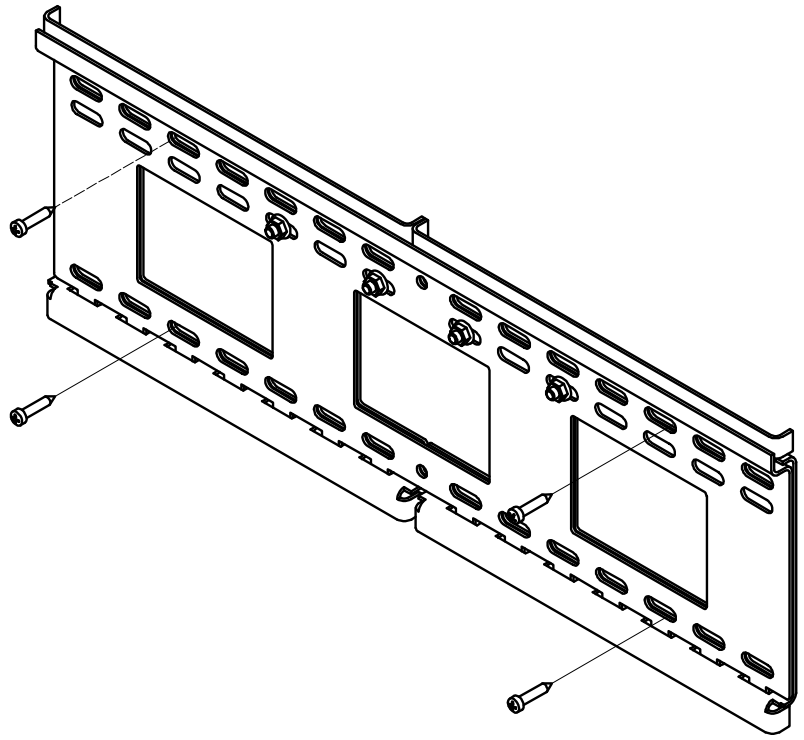
Install Guide

CRK-ABV
CRK-BLW



1

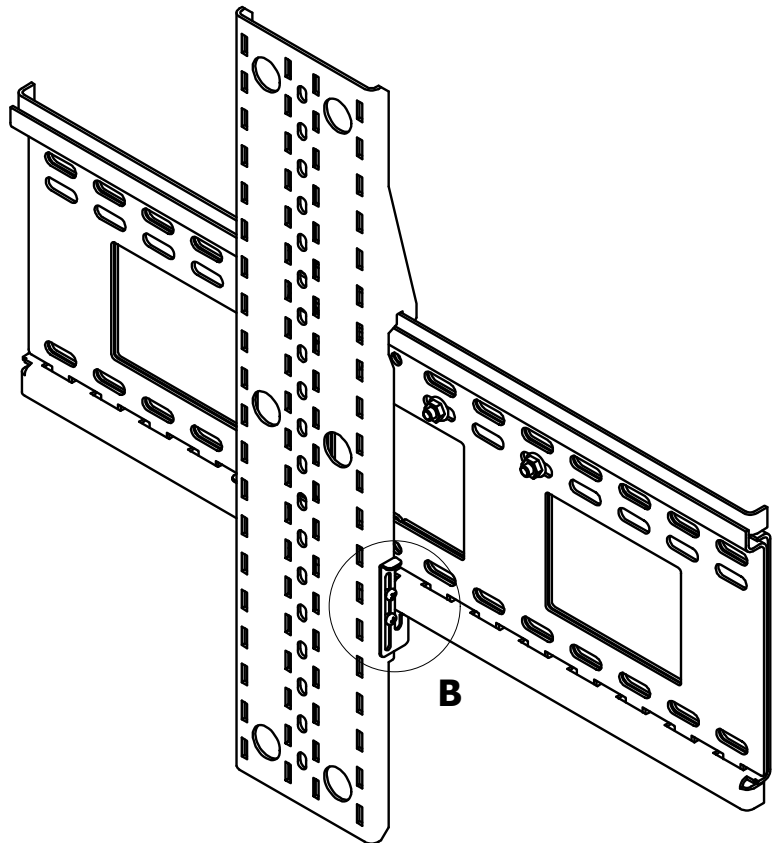
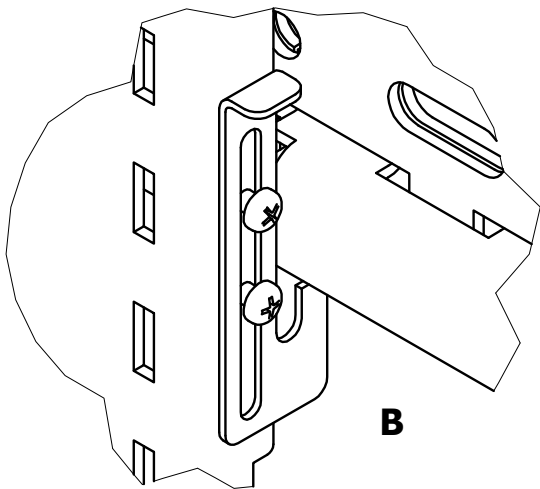
Fix Display mount to wall or cart using proper hardware.



2

A) Hang camera spine (FS-24, FS-32, or FS-42) on center of display mount.

B) Fix position of camera spine using the hooks on each side. They should be adjusted so that the bottom of the camera spine cannot separate from the bottom of the display mount.

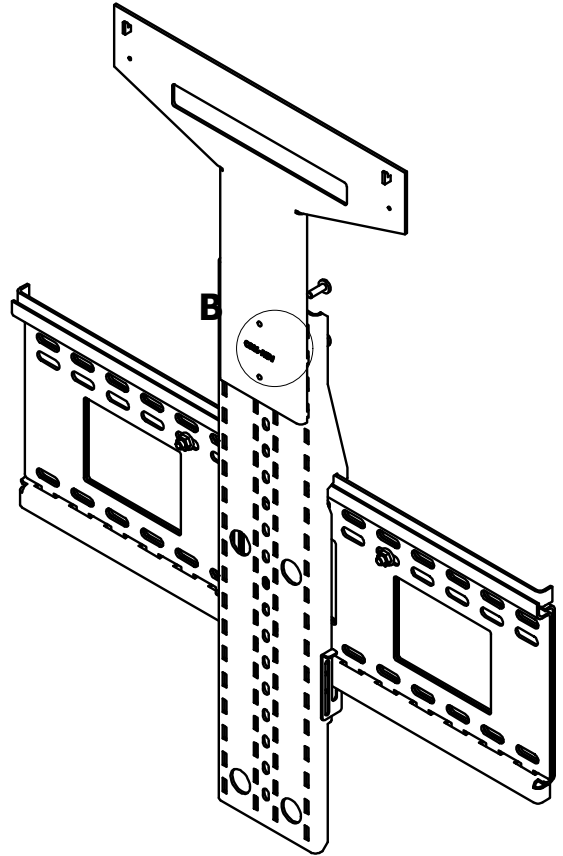
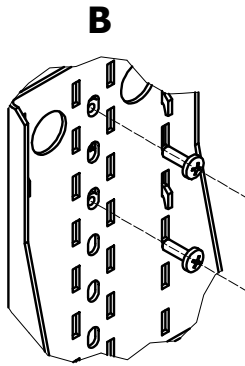


3

A) Hang the CRK-ABV or CRK-BLW on the camera spine at the desired height.

B) Lock in position using $\frac{1}{4}$ -20 screws. Insert from behind the mount.

Note: Use same process at the bottom of the camera spine for CRK-BLW



4

A) *Cisco Webex Room Kit*: Attach the Cisco provided wall mount using the M4 screws provided.

B) *Cisco Webex Room Kit Plus*: Hang the Cisco provided wall mount on the hooks of the CRK-ABV or CRK-BLW.

