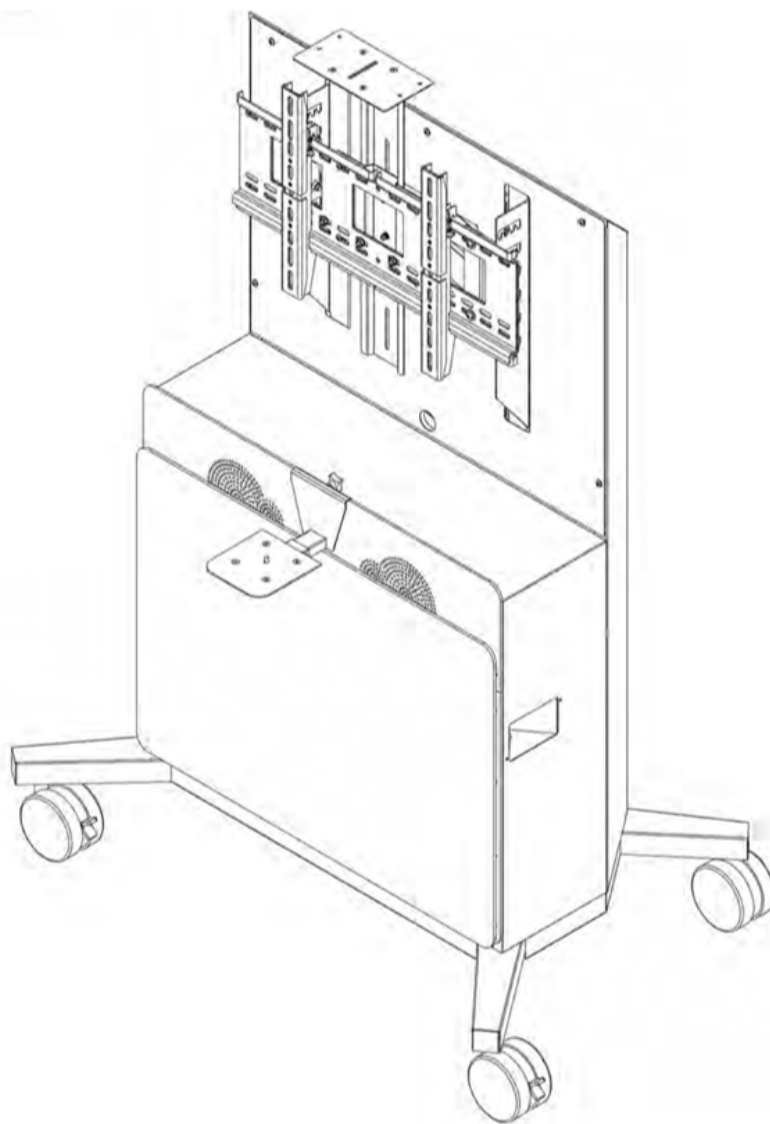




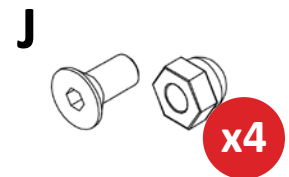
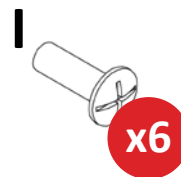
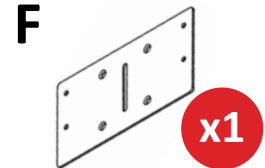
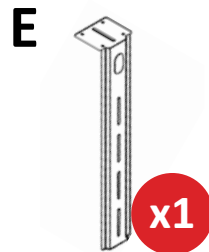
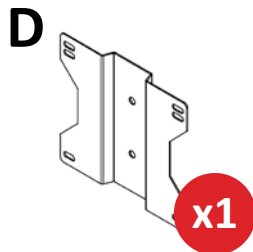
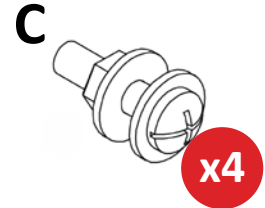
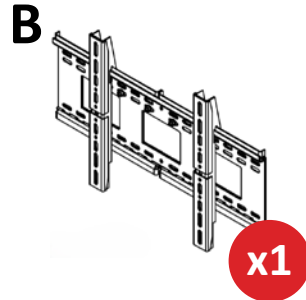
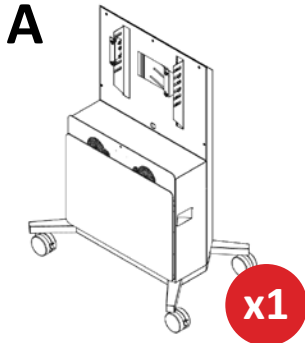
Install Guide

ELT-2100



PACKAGE CONTENTS

Included with ELT-2100:



A. Cart [x1]

D. Support [x1]

G. 5/16" Flange nut [x8]

B. Display mount [x1]

E. Camera support [x1]

H. 1/4" Flange nut [x4]

C. Mount kit hardware [x4]

F. Camera shelf [x1]

I. 1/4" x 3/4" Philips flat head screw [x6]

Includes:

- 5/16" x 1 1/4" Screw
- 3/4" Washer
- 1" Washer
- 5/16" Nut

J. Allen screw [x4]

Includes:

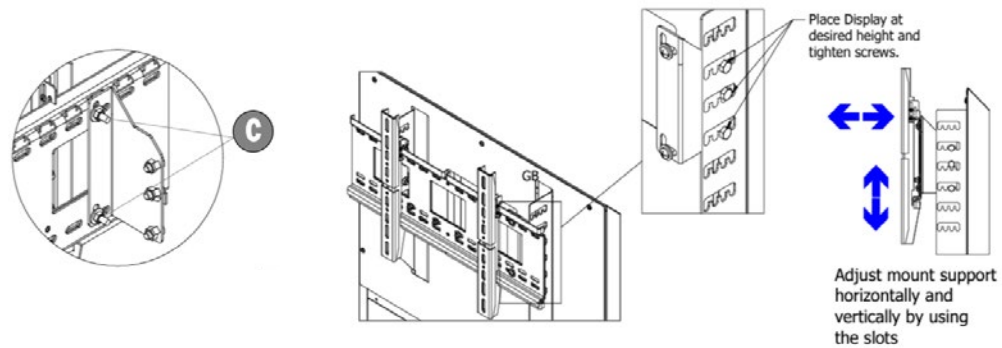
- 1/4" Flat head screw
- 1/4" Blind nut

STEP 1

Attach display mount to cart

TIP: Before installing the display mount, measure the VESA pattern on the back of the display to make sure any adjustments to the display mount are done prior to mounting it to the cart.

- Follow the display mount instructions to secure the display mount (B) to the front of the cart (A) as shown using the [x4] mount kit hardware (C).
- Place the display at desired height and tighten screws.
- Adjust mount support horizontally and vertically by using the side slots.



STEP 2

Secure camera mount to cart

- Attach [x1] support (D) to the front of the display mount (B) using [x4] 1/4" x 3/4" philips flat head screws (I) and secure with [x4] 1/4" flange nut (H).
- Center [x1] camera support (E) on the support (D) and adjust the camera support up and down to the desired height. Secure the camera support with [x2] 1/4" x 3/4" philips flat head screws (I).
- Place the [x1] camera shelf (F) on top of the camera support and secure using [x4] allen screws (J).

