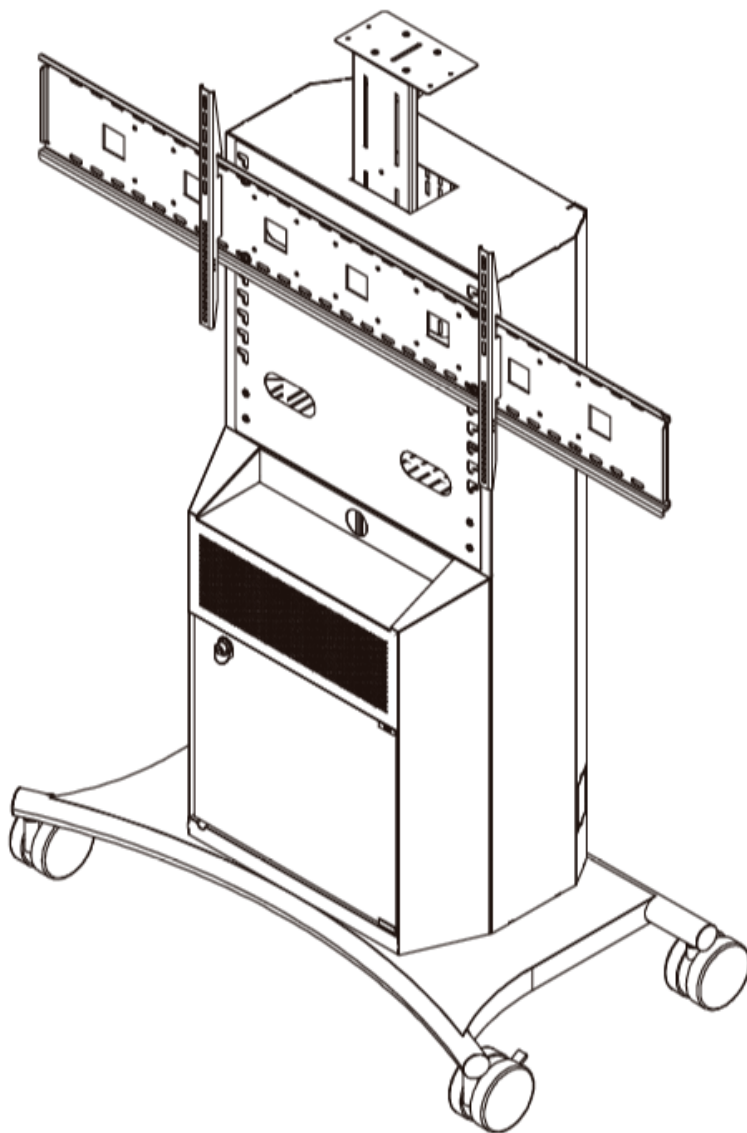




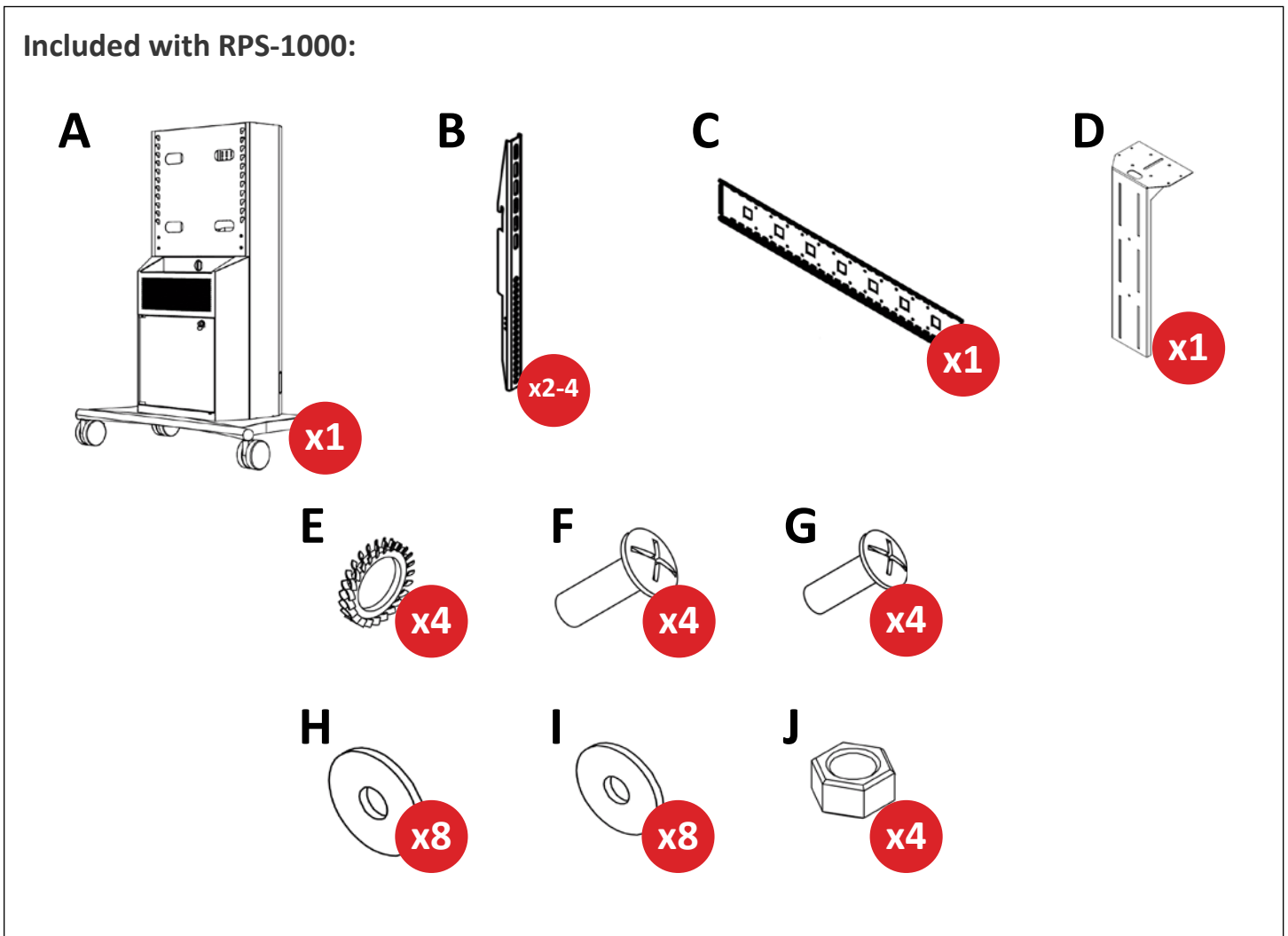
Install Guide

RPS-1000



PACKAGE CONTENTS

Included with RPS-1000:



A. Cart [x1]

E. 1/4 Lock washer [x4]

I. 5/16" x 1 Washer [x8]

B. Uprights

F. 1/4" x 1/2" Philips head bolt [x4]

J. 5/16" Nut [x4]

***Upright quantity varies based on displays**

For single displays = [x2]

G. 5/16" x 1 1/4" Philips head bolt [x4]

For dual displays = [x4]

H. 5/16" x 3/4" Washer [x8]

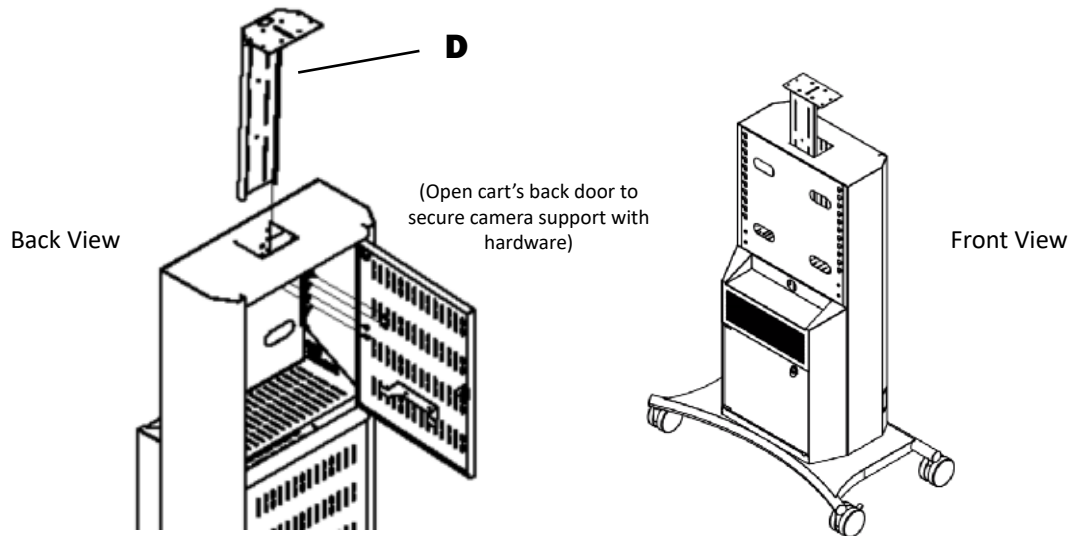
C. Display mount [x1]

D. Camera mount [x1]

STEP 1

Secure camera mount to cart

- Secure camera mount (D) to cart (A) at desired height using [x4] lock washers (E) and [x4] philips head bolts (F).

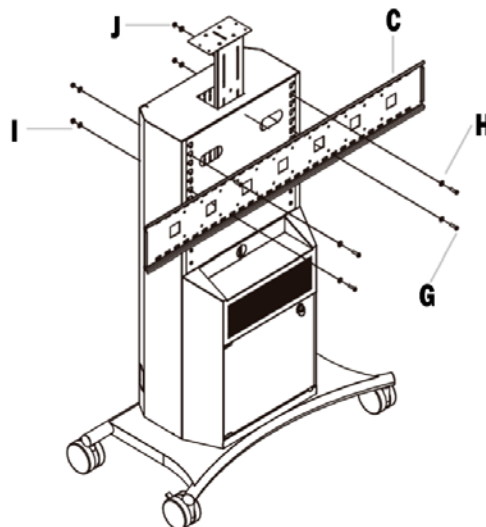


STEP 2

Attach display mount to cart

TIP: Before installing the display mount, measure the VESA pattern on the back of the display to make sure any adjustments to the display mount are done prior to mounting it to the cart.

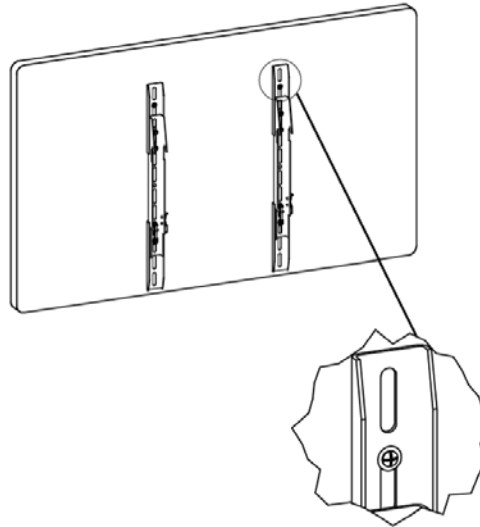
- Secure the display mount (C) to the front of the cart (A) as shown using [x8] washers (H) and [x4] philips head bolts (G). To secure the vesa from behind the cart, insert [x8] washers (I) and [x4] nuts (J).



STEP 3

Attach uprights to display

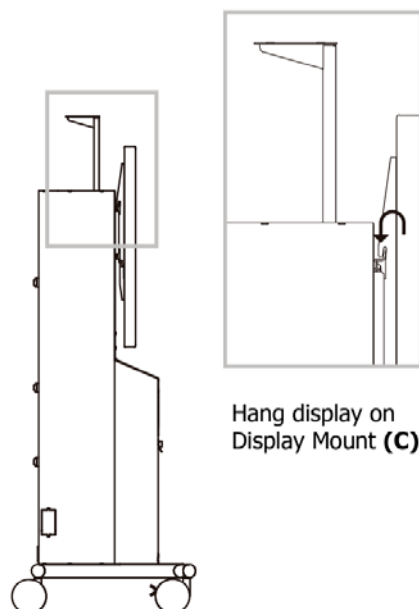
- Using the display mount hardware, bolt the uprights (B) to the rear of the display.



STEP 4

Secure display on display mount

- Hang display on display mount (C).



Have a question?

Contact us at support@avteqinc.com