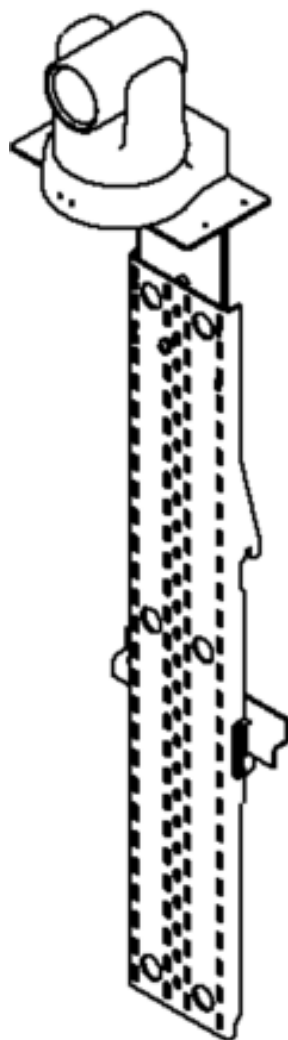




Install Guide

PTZ Camera Mount (PS50)

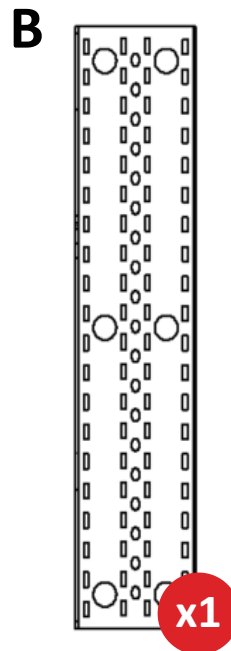
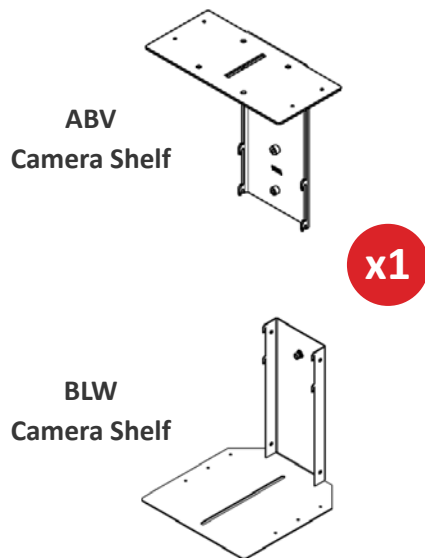


PACKAGE CONTENTS

PTZ Camera Mount installation requires an Avteq display mount (UM-1 or UM-2 included with Avteq carts, stands, and credenzas). One camera shelf attachment is provided based on your order and where you'd like to position your camera.

Included with PTZ Camera Mount (PS50):

A (Only one camera shelf is included based on your order)



A. Camera Shelf (ABV/BLW) [x1]

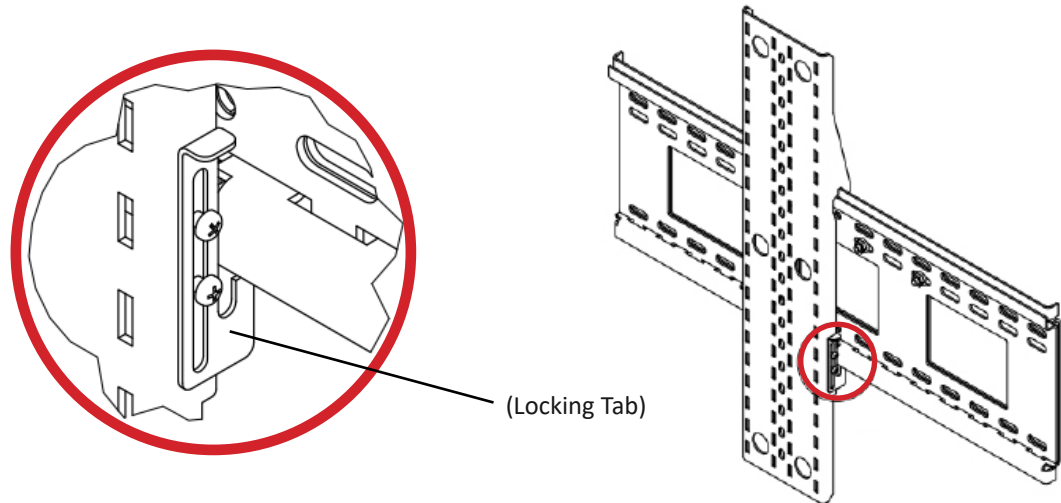
B. Camera Spine [x1]

C. 1/4-20 Screw [x2]

STEP 1

Attach camera spine on display mount

- Remove the screws from the locking tab on the camera spine (B) and center the camera spine vertically on the Avteq display mount.
- Fix position of the camera spine using the top hooks on both sides. After positioning, secure the locking tab with the screws. It should be adjusted so that the bottom of the camera spine cannot separate from the bottom of the display mount.



STEP 2

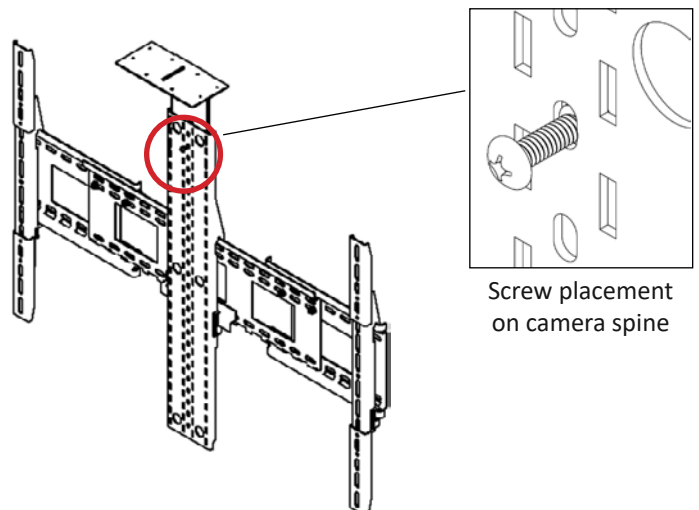
Attach Camera Shelf to Camera Spine

NOTE: Only one camera shelf (either ABV or BLW) is included with your order. Follow the instructions accordingly.

Install Tip: When securing the camera shelf, consider the height of the display to ensure the shelf is peaking out either above or below the display.

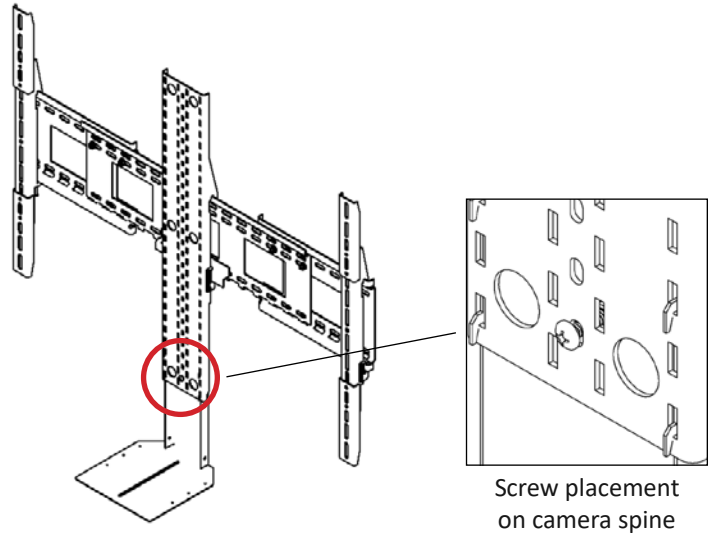
To Position Camera Above Display (For ABV Camera Shelf):

- Hang the camera shelf (A) on the **upper rear side** of the camera spine (B) at the desired height to position the camera above the display.
- Lock in position using a [x1] 1/4-20 screw (C). Insert in an open hole from the front of the spine (B).



To Position Camera Below Display
(For BLW Camera Shelf):

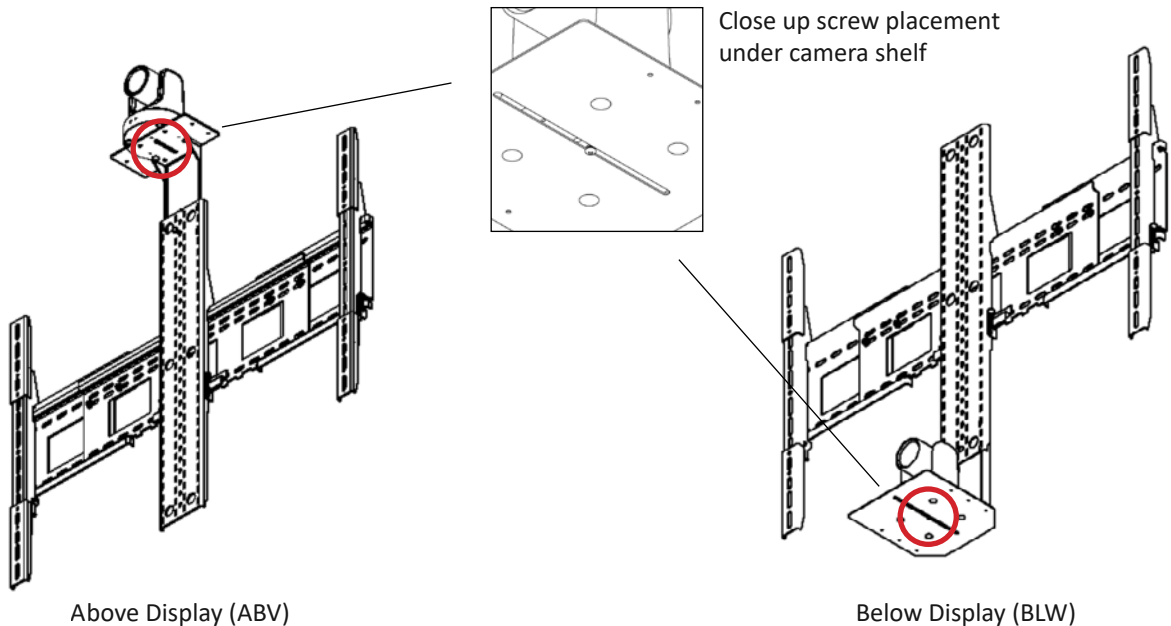
- Hang the camera shelf (A) on the **lower rear side** of the camera spine (B) at the desired height to position the camera below the display.
- Lock in position using a [x1] 1/4-20 screw (C). Insert in an open hole from the front of the spine (B).



STEP 3

Secure camera to camera shelf

- Secure camera to camera mount shelf (A) using a [x1] ¼-20 screw (C). Screw through the bottom of the camera mount shelf.



Have a question?

Contact us at support@avteqinc.com