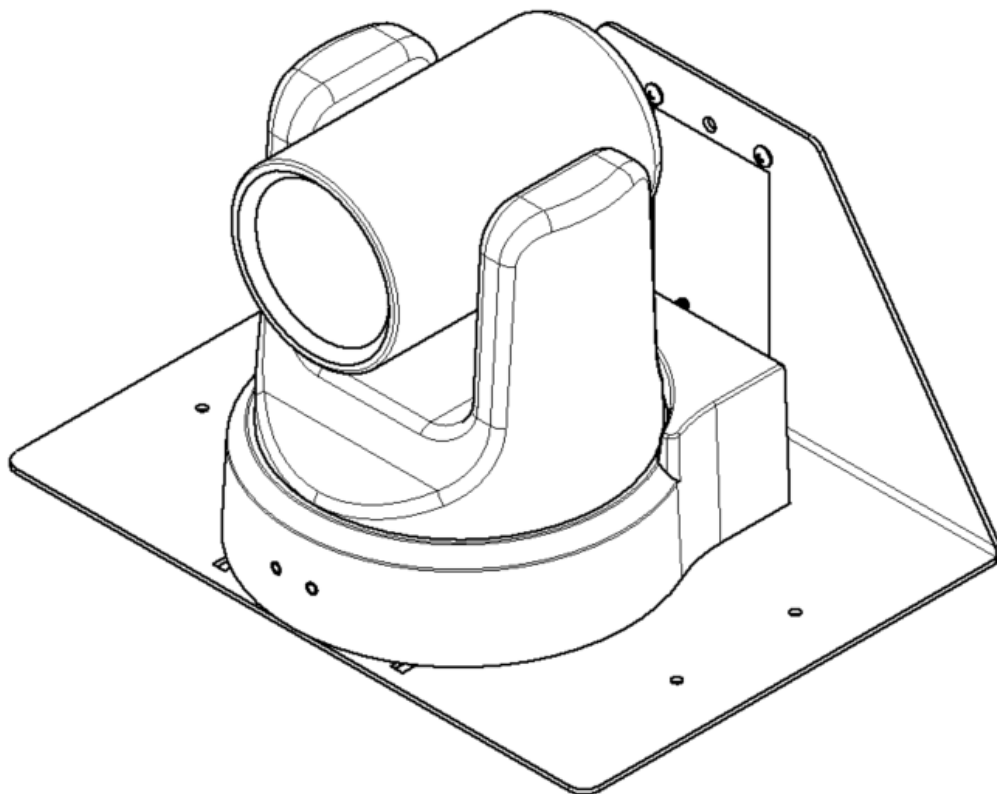




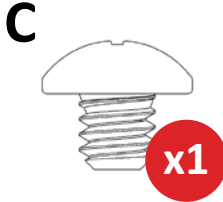
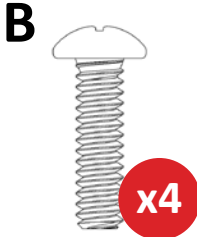
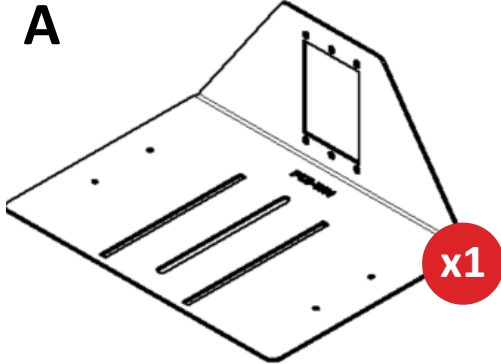
Install Guide

PTZ Camera Wall Mount (PTZ-WM)



PACKAGE CONTENTS

Included with PTZ-WM:



A. Camera mount shelf [x1]

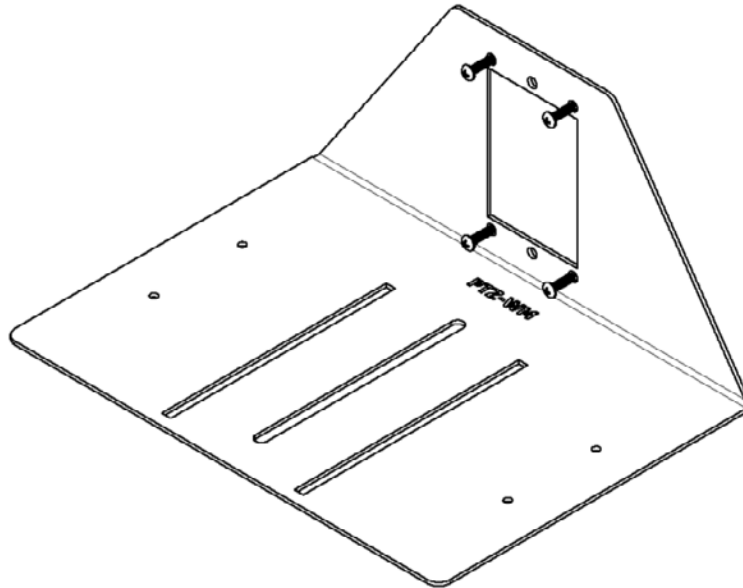
B. #6 screws [x4]

C. 1/4-20" screw [x1]

STEP 1

Secure camera mount shelf to wall

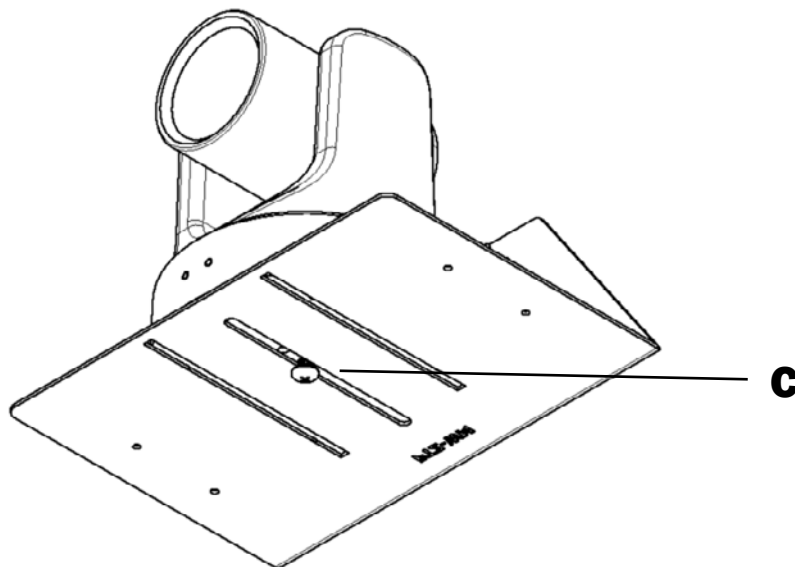
- Secure the camera mount shelf (A) to the wall using [x4] #6 screws (B) through 2 gang box holes.



STEP 2

Secure camera to camera mount shelf

- Secure camera to camera mount shelf (A) using a [x1] ¼-20 screw (C). Screw through the bottom of the camera mount shelf.



Have a question?

Contact us at support@avteqinc.com