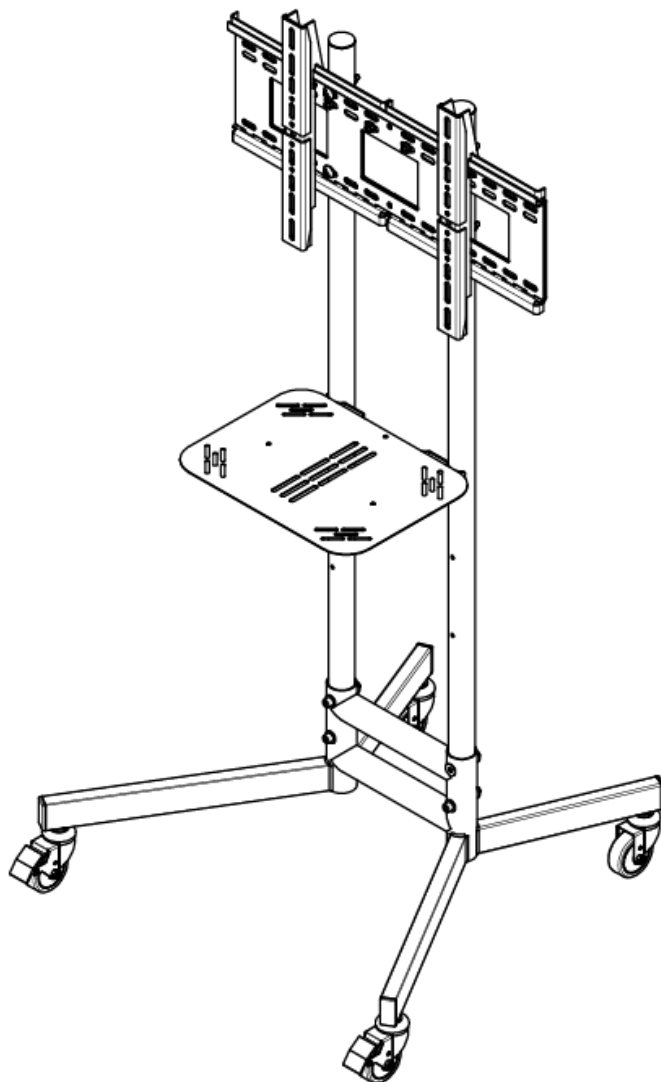




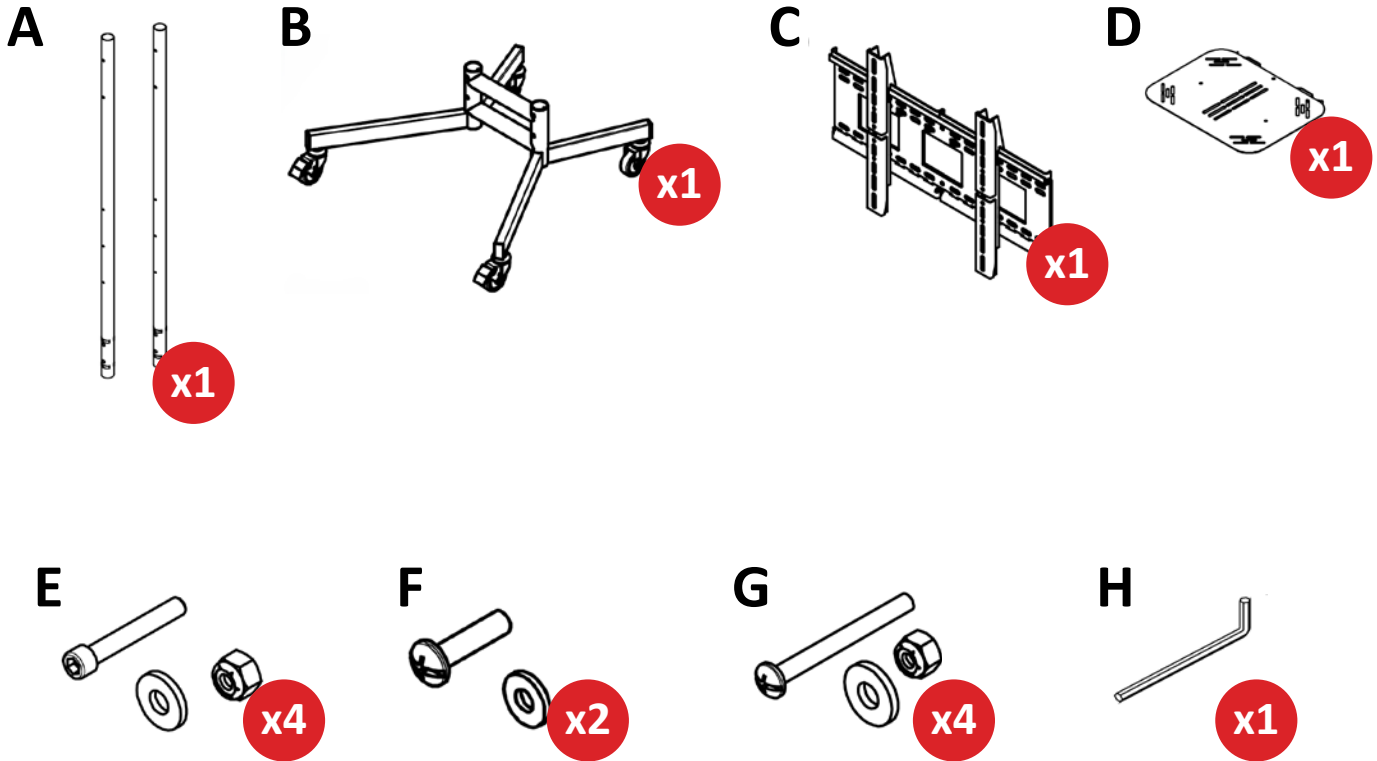
Install Guide

RPS-200



PACKAGE CONTENTS

Included with RPS-200:



A. Uprights [x2]

E. 3/8" x 2 1/2" screw, washer, and nut [x4]

B. Base [x1]

F. 5/16" x 1" screw and washer [x2]

C. Display mount [x1]

G. 1/4" x 3" screw, washer, and nut [x4]

D. Shelf [x1]

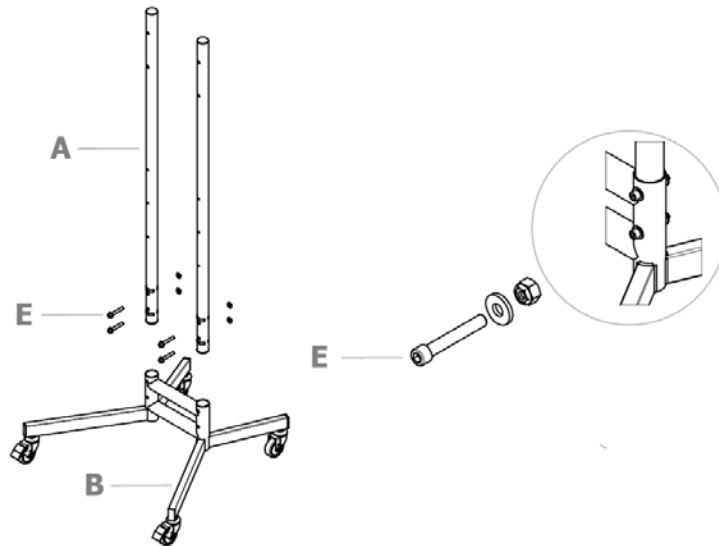
H. 3/8 hexagonal allen key [x1]

STEP 1

Secure uprights to base

Install Tip: As you are installing the screws and nuts, leave them all loose. Install all of them before tightening.

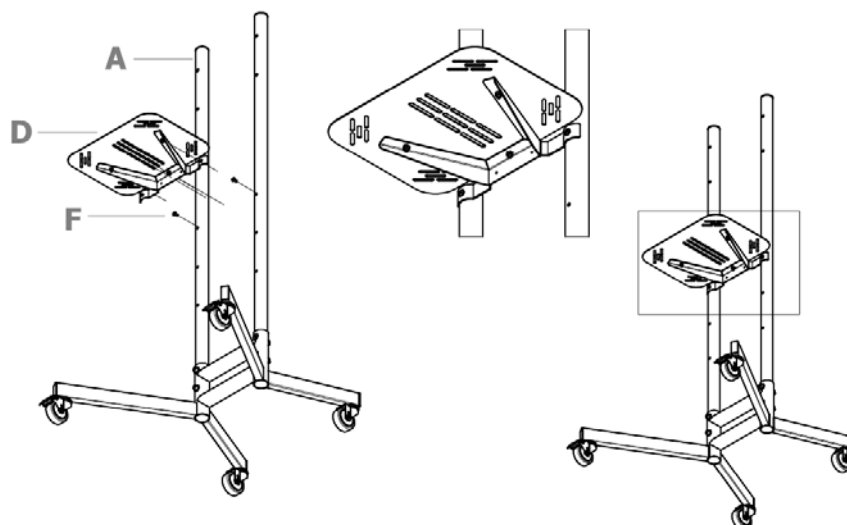
- Install the [x2] uprights (A) to the base (B) and secure it with [x4] 3/8" x 2 1/2" screws, washers, and nuts (E) using the hexagonal allen key (H).



STEP 2

Attach shelf to uprights

- Install the shelf (D) to the front of the uprights (A) at the desired height and secure it with [x2] 5/16" x 1" screws and washers (F).

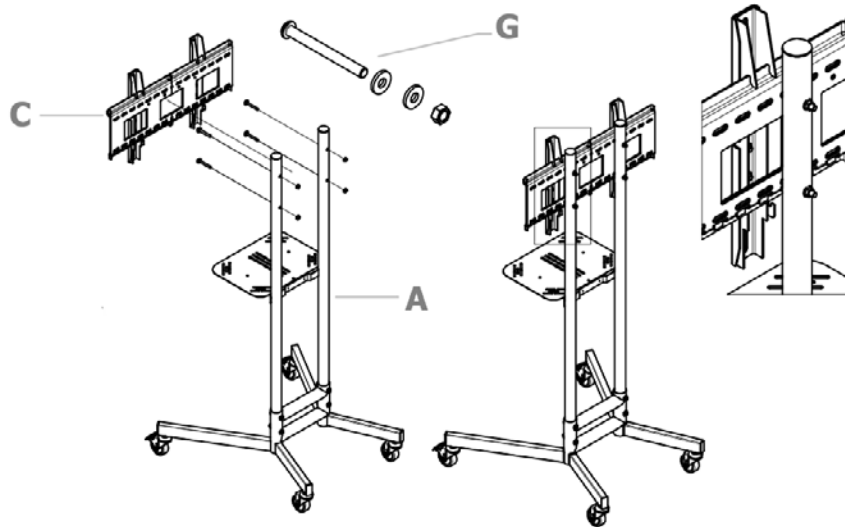


STEP 3

Secure display mount to uprights

Install Tip: Before installing the display mount, measure the VESA pattern on the back of the display to make sure any adjustments to the display mount are done prior to mounting it to the cart.

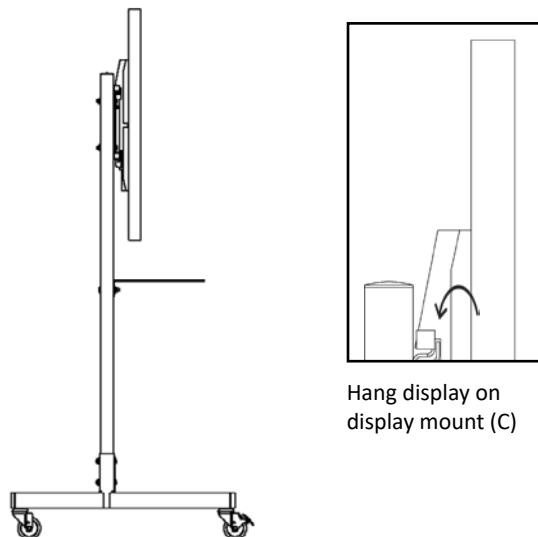
- Place the display mount (C) on the front of the uprights (A) and secure it with [x4] 1/4" x 3" screws, washers, and nuts (G).



STEP 4

Hang display on display mount

- Hang display on display mount (C).



Have a question?

Contact us at support@avteqinc.com