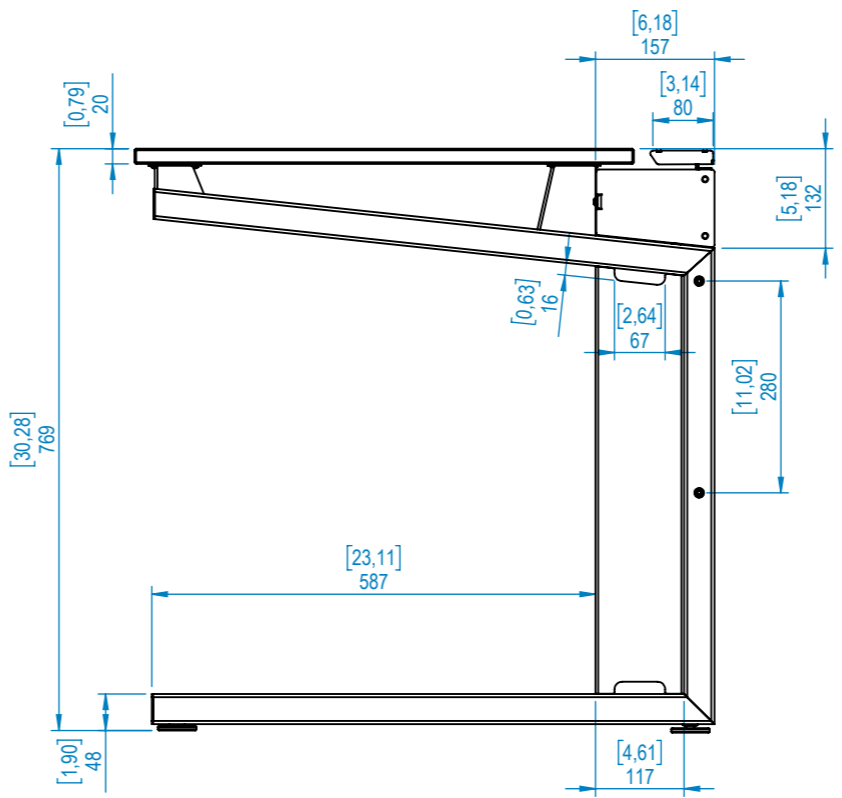
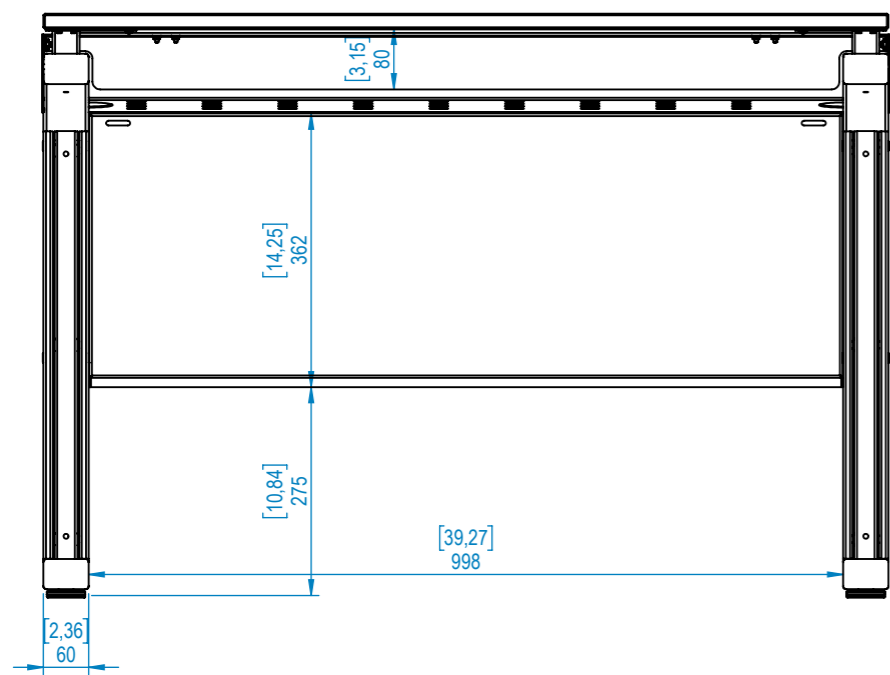
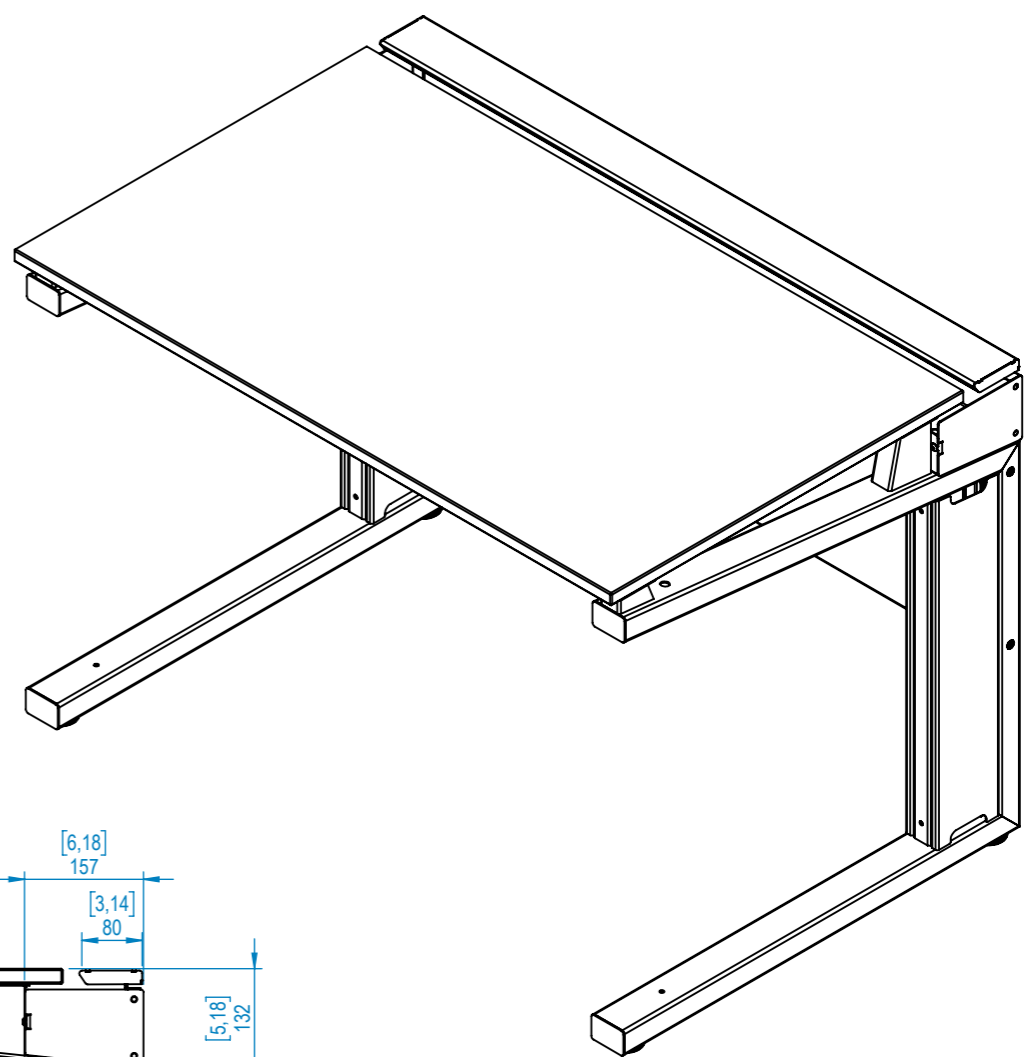
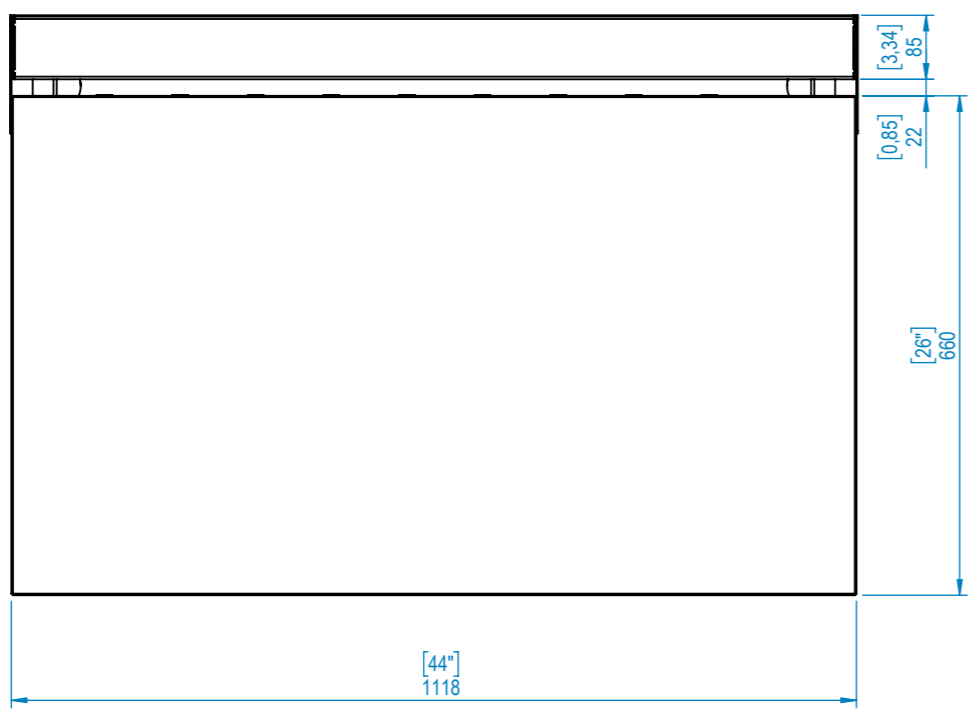
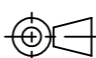


1 2 3 4 5 6 7 8

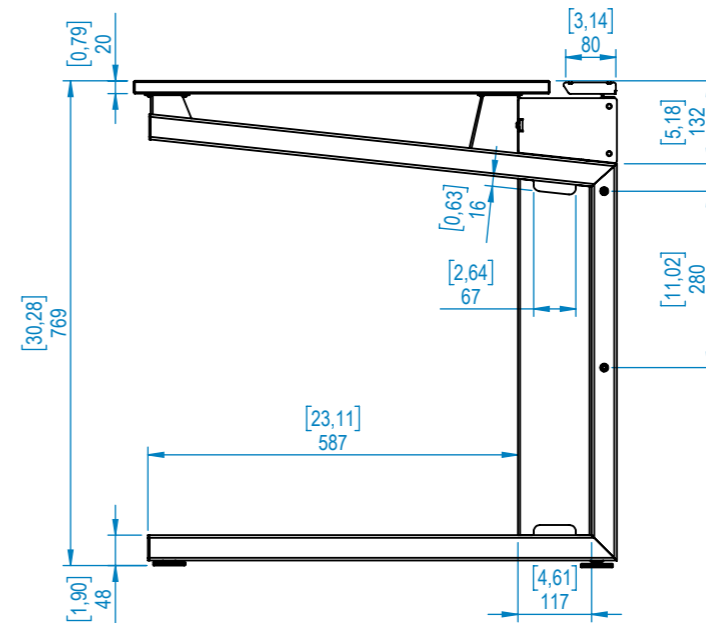
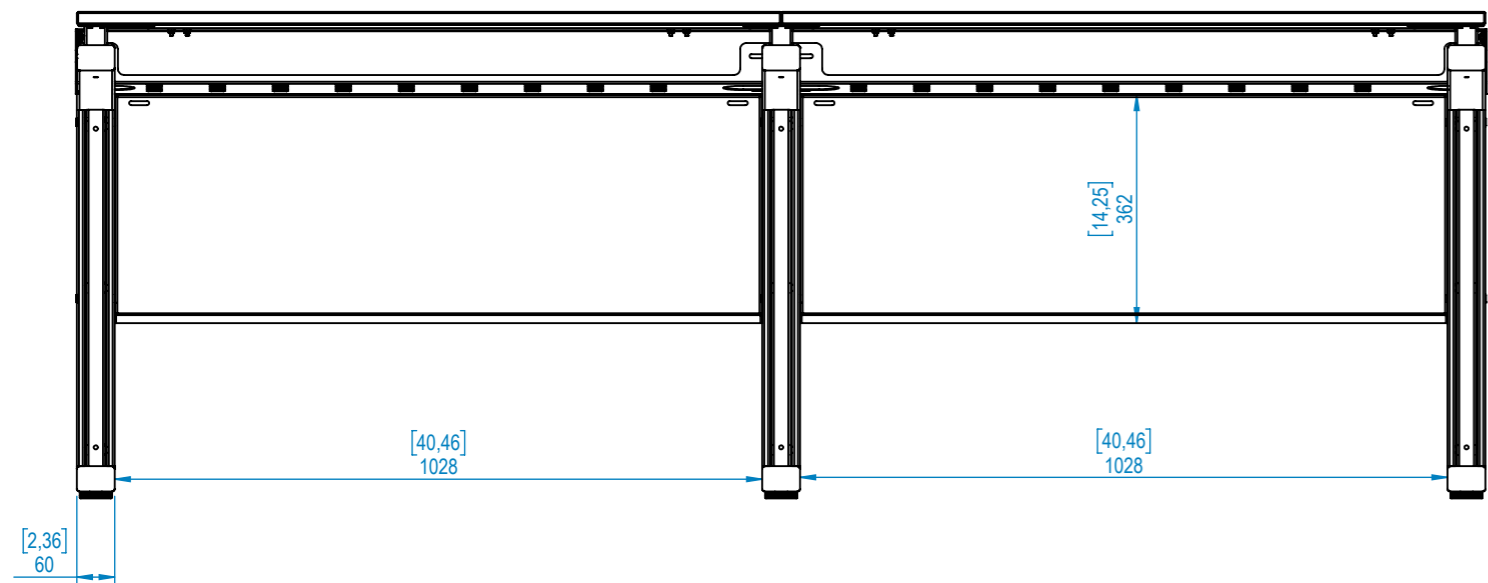
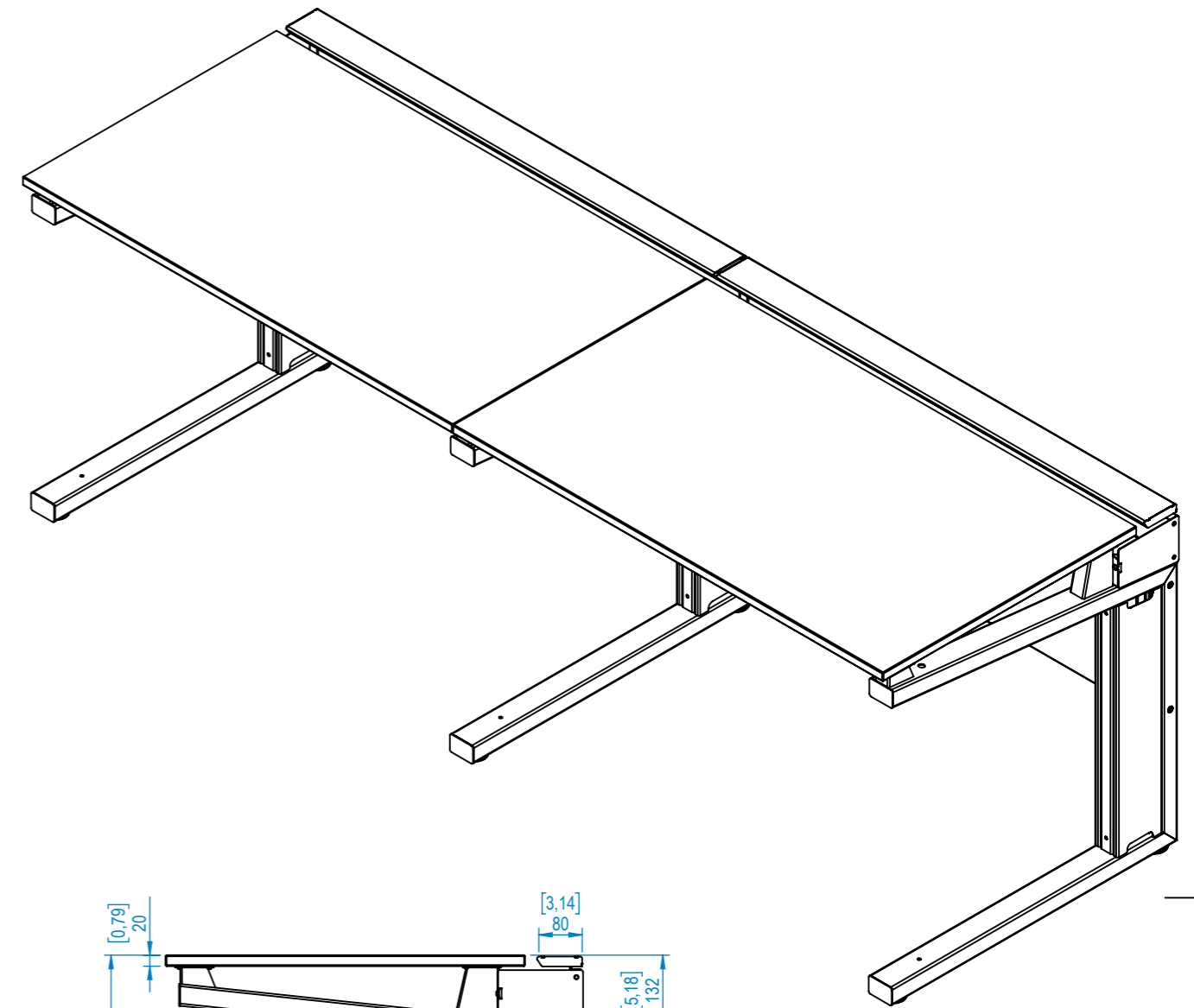
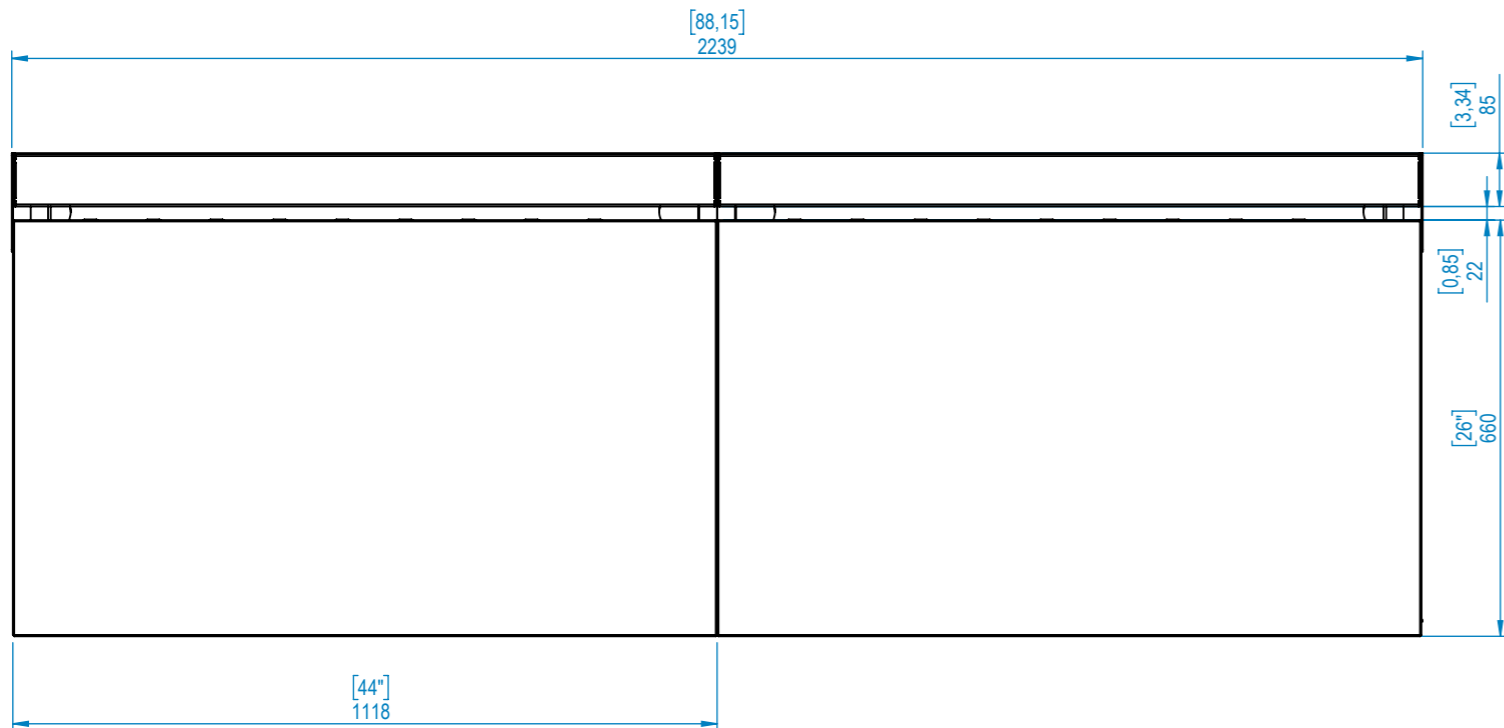
A  
B  
C  
D  
E  
F

A  
B  
C  
D  
E  
F



Material: <b>Various</b>		THIS DOCUMENT CONTAINS CONFIDENTIAL AND PROPRIETARY INFORMATION THAT CANNOT BE REPRODUCED OR DIVULGED, IN WHOLE OR IN PART, WITHOUT WRITTEN AUTHORIZATION FROM AVTEQ Inc. Dallas TX 75247, (214) 905 9001, AVTEQ.net	Description: <b>E-SPORT DESK-SINGLE</b>	
Finish: <b>Powder Coating</b>			Drawn by: <b>CVN</b>	Drawn Date: <b>4/06/2024</b>
Unless Otherwise Stated: Linear Tol.: $\pm 0.2$ , Angular Tol.: $0^{\circ}15'$ Surface Finish: $0.8\mu\text{m}$ All Dimensions: <b>mm</b>		Document Type: <b>General Assembly</b>		Checked/Approved by:
Drawing Scale: <b>1:10</b>		<b>Company Confidential</b>		Checked/Approved Date:
Approx Weight: <b>32.22 Kg</b>	Drawing Produced In Accordance With: <b>BS8888</b>	Legal Owner: <b>AVTEQ®</b> AVTEQ, Inc, 9003 Governors Row Dallas, TX 75247 (214) 905-9001, Avteq.net		Part Number:
Projection Method: <b>THIRD ANGLE</b> 	Sheet Size: <b>A3</b>	Drawing For: <b>Production</b>	Sheet: <b>1 of 4</b>	Revision: <b>01</b>

1 2 3 4 5 6 7 8



Material: <b>Various</b>		THIS DOCUMENT CONTAINS CONFIDENTIAL AND PROPRIETARY INFORMATION THAT CANNOT BE REPRODUCED OR DIVULGED, IN WHOLE OR IN PART, WITHOUT WRITTEN AUTHORIZATION FROM AVTEQ Inc. Dallas TX 75247, (214) 905 9001, AVTEQ.net	Description: <b>E-SPORT DESK-DOBLE</b>	
Finish: <b>Powder Coating</b>			Drawn by: <b>CVN</b>	Drawn Date: <b>4/06/2024</b>
Unless Otherwise Stated: Linear Tol.: ±0.2, Angular Tol.: 0°15' Surface Finish: 0.8µm All Dimensions: mm			Checked/Approved by:	Checked/Approved Date:
Drawing Scale: <b>1:12</b>			Document Type: <b>General Assembly</b>	
Approx Weight: <b>53.93 Kg</b>	Drawing Produced In Accordance With: <b>BS8888</b>	Legal Owner: <b>Company Confidential</b>		Part Number:
Projection Method: <b>THIRD ANGLE</b>	Sheet Size: <b>A3</b>	 <b>AVTEQ</b> , Inc, 9003 Governors Row Dallas, TX 75247 (214) 905-9001, Avteq.net		Drawing For: <b>Production</b>
		Sheet:	Revision:	
		<b>2 of 4</b>	<b>01</b>	

1 2 3 4 5 6 7 8

A

A

B

B

C

C

D

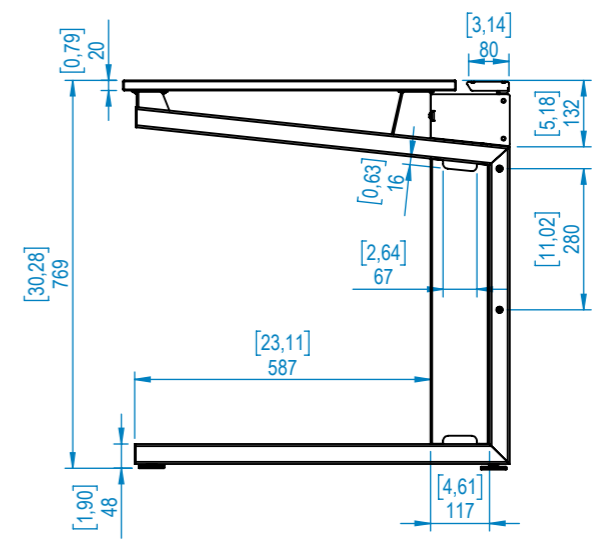
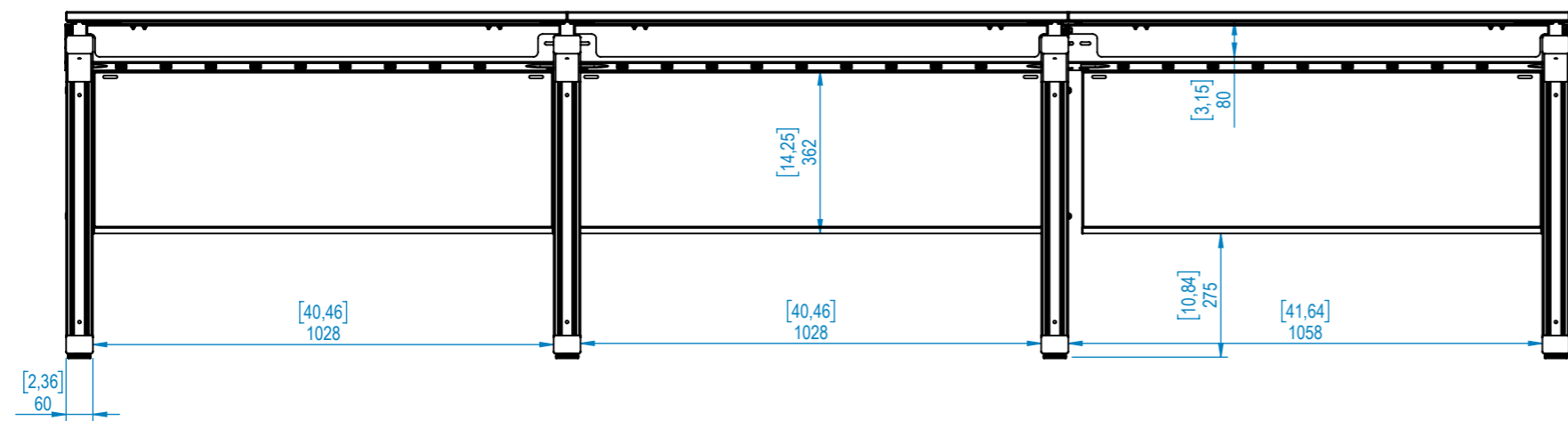
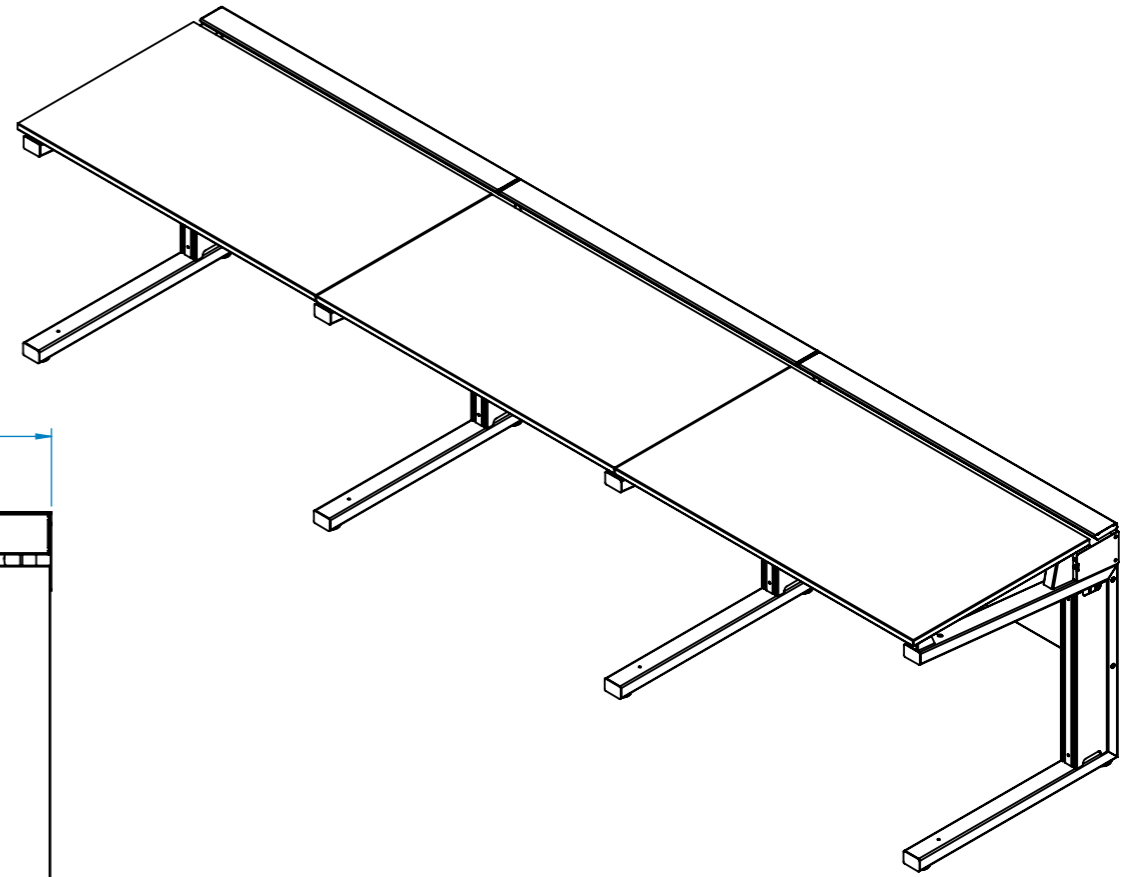
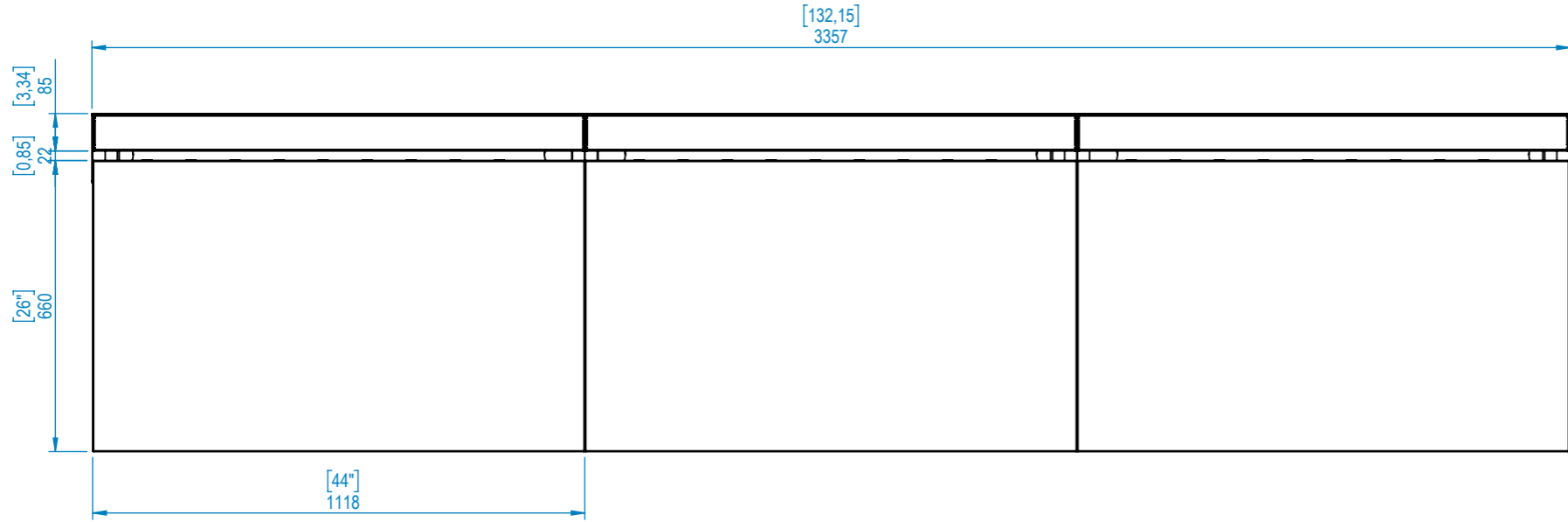
D

E

E

F

F



Material: <b>Various</b>		THIS DOCUMENT CONTAINS CONFIDENTIAL AND PROPRIETARY INFORMATION THAT CANNOT BE REPRODUCED OR DIVULGED, IN WHOLE OR IN PART, WITHOUT WRITTEN AUTHORIZATION FROM AVTEQ Inc. Dallas TX 75247, (214) 905 9001, AVTEQ.net	Description: <b>E-SPORT DESK-TRIPLE</b>	
Finish: <b>Powder Coating</b>			Drawn by: <b>CVN</b>	Drawn Date: <b>4/06/2024</b>
Unless Otherwise Stated: Linear Tol.: $\pm 0.2$ , Angular Tol.: $0^\circ 15'$ Surface Finish: $0.8\mu\text{m}$ All Dimensions: <b>mm</b>			Checked/Approved by:	Checked/Approved Date:
Drawing Scale: <b>1:15</b>		Document Type: <b>General Assembly</b>		Part Number:
Approx Weight: <b>80.49 Kg</b>	Drawing Produced In Accordance With: <b>BS8888</b>	Legal Owner: <b>AVTEQ®</b> AVTEQ, Inc, 9003 Governors Row Dallas, TX 75247 (214) 905-9001, Avteq.net		Drawing For: <b>Production</b>
Projection Method: <b>THIRD ANGLE</b> 	Sheet Size: <b>A3</b>	Sheet:	Revision:	
		<b>3 of 4</b>	<b>01</b>	

1 2 3 4 5 6 7 8

1 2 3 4 5 6 7 8

A

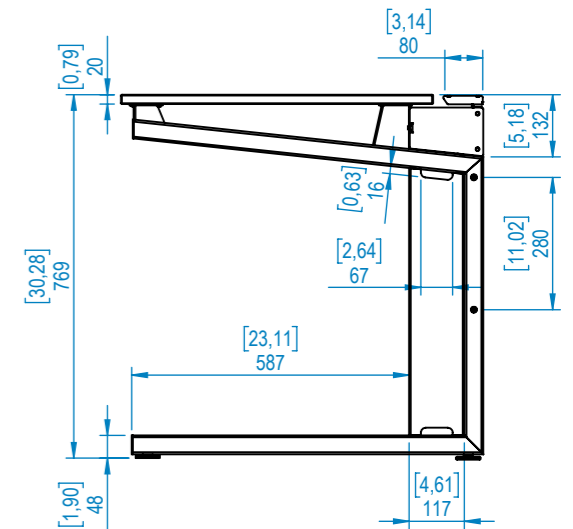
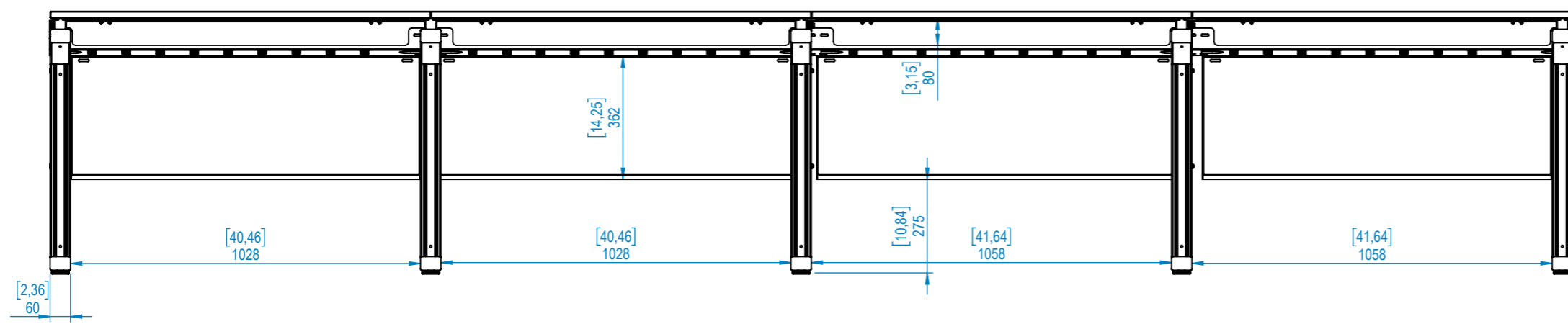
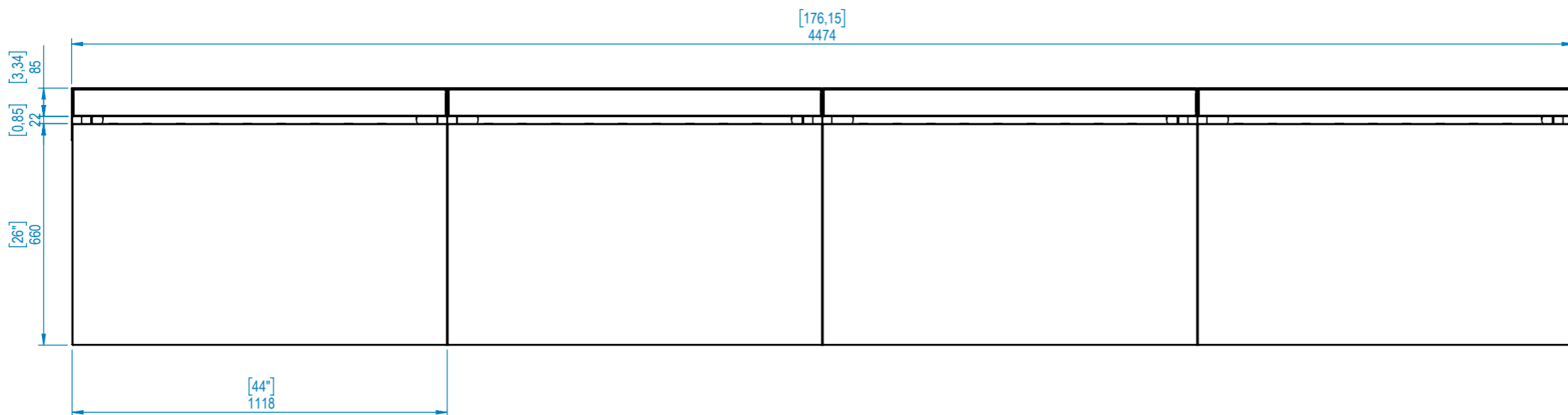
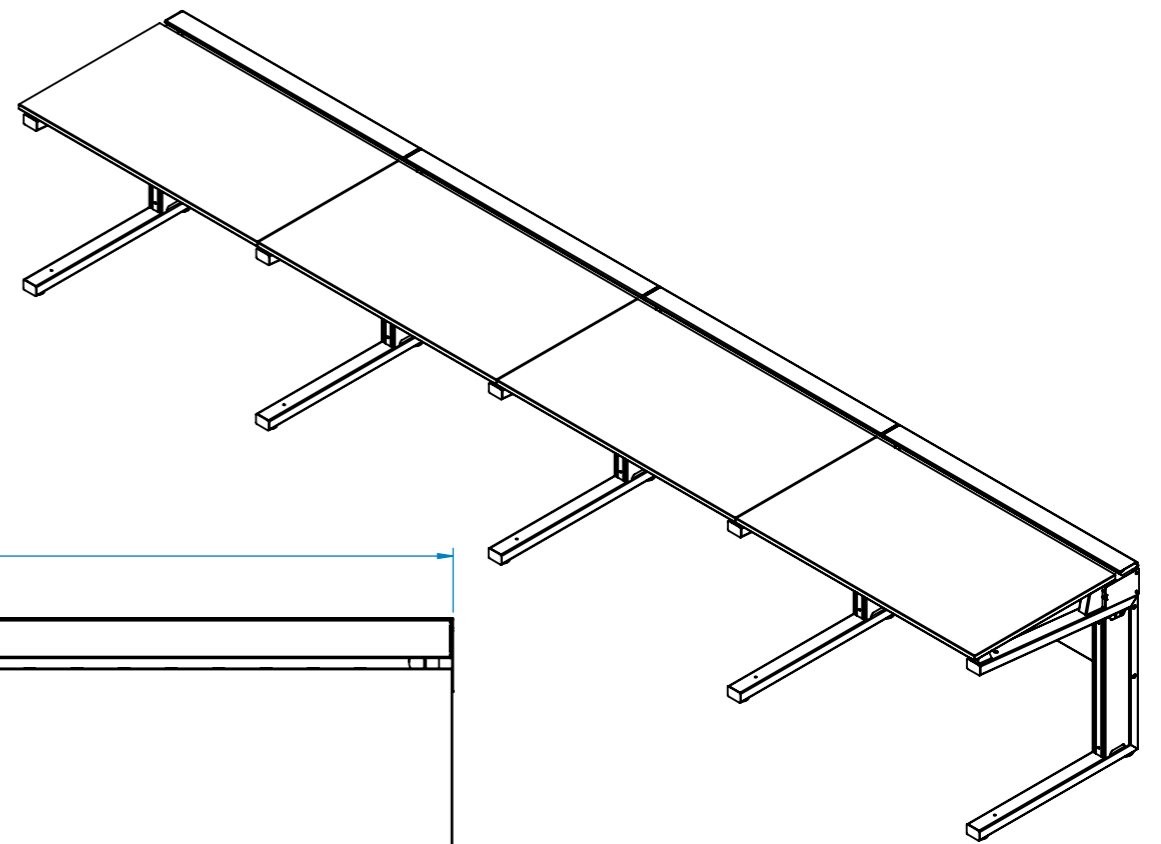
B

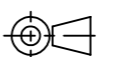

C

D

E

F



Material: <b>Various</b>		THIS DOCUMENT CONTAINS CONFIDENTIAL AND PROPRIETARY INFORMATION THAT CANNOT BE REPRODUCED OR DIVULGED, IN WHOLE OR IN PART, WITHOUT WRITTEN AUTHORIZATION FROM AVTEQ Inc. Dallas TX 75247, (214) 905 9001, AVTEQ.net	Description: <b>E-SPORT DESK-QUADRUPLE</b>	
Finish: <b>Powder Coating</b>			Drawn by: <b>CVN</b>	Drawn Date: <b>4/06/2024</b>
Unless Otherwise Stated: Linear Tol.: ±0.2, Angular Tol.: 0°15' Surface Finish: 0.8µm All Dimensions: mm			Checked/Approved by:	
Drawing Scale: <b>1:16</b>			Checked/Approved Date:	
Approx Weight: <b>107.04Kg</b>	Drawing Produced In Accordance With: <b>BS8888</b>	Document Type: <b>General Assembly</b>		
Projection Method: <b>THIRD ANGLE</b>		Company Confidential		
Sheet Size: <b>A3</b>		Legal Owner:		
				
		AVTEQ, Inc, 9003 Governors Row Dallas, TX 75247 (214) 905-9001, Avteq.net		
Part Number:		Drawing For: <b>Production</b>		
Revision:		Sheet: <b>4 of 4</b>	Revision: <b>01</b>	

1 2 3 4 5 6 7 8