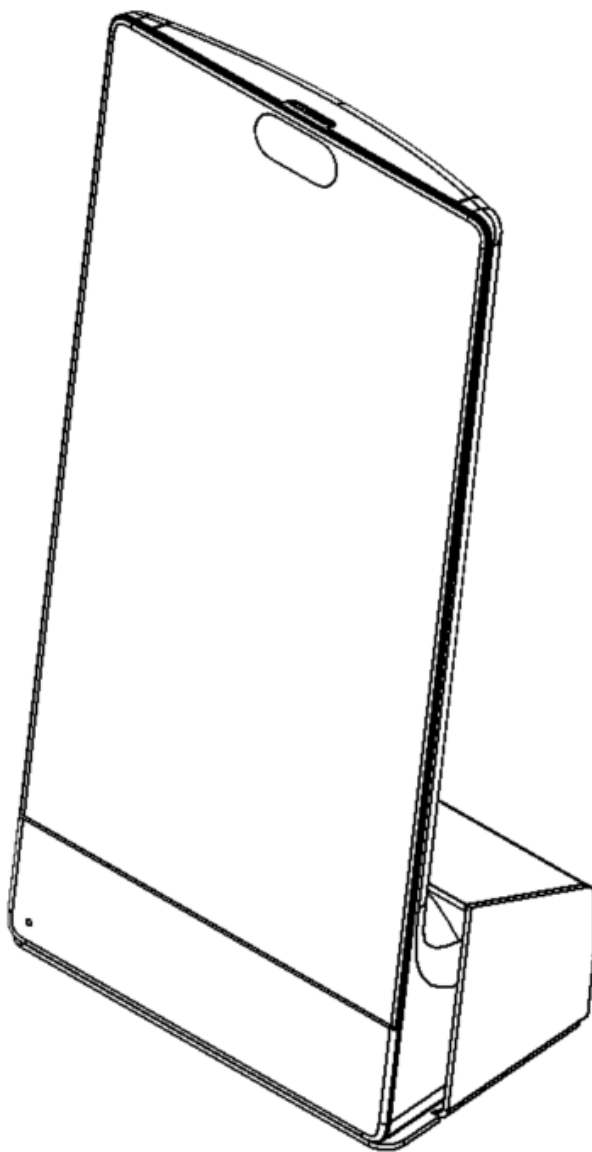




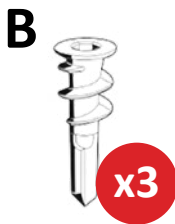
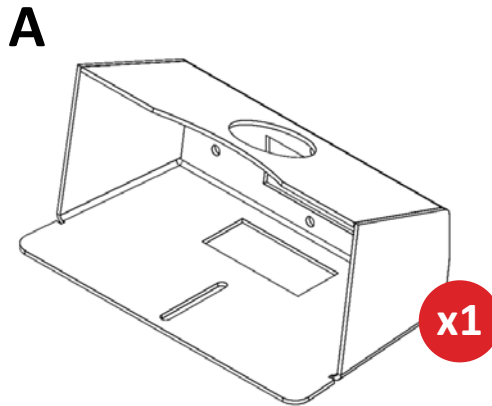
Install Guide

Neat Frame Wall Mount (NEATFRAME-WM)

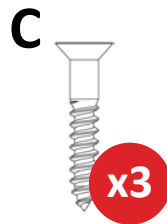


PACKAGE CONTENTS

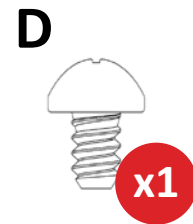
Included with Neat Frame Wall Mount (NEATFRAME-WM):



(Only for dry wall)



(Only for wood
or metal studs)



A. Wall mount [x1]

B. Anchor screw [x3]

***For dry wall**

C. #8 1 1/2" wood screw [x3]

***For wood or metal studs**

D. 1/4-20 3/4" screw [x1]

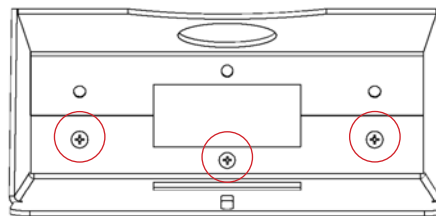
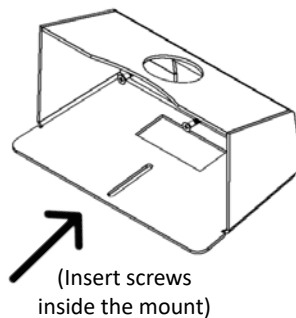
STEP 1

Secure wall mount to wall

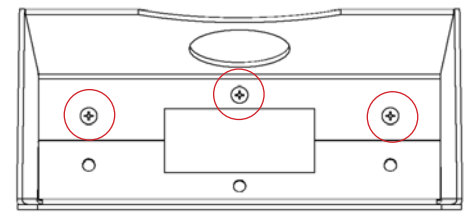
NOTE: The cutout for the wall needs to be 8.5" wide and 3.8" tall.

NOTE: To secure on dry wall, use the anchor screws (B). To secure on wood or metal studs, use the wood screws (C).

- Place the wall mount (A) in the wall. Secure the wall mount using [x3] anchor screws (B) or wood screws (C), depending on the wall material. For a flat installation of the Neat Frame device, insert screws into the bottom three inner holes of the wall mount. For a slight tilt, insert screws into the top three inner holes of the wall mount.



(Flat installation: bottom screw placement)

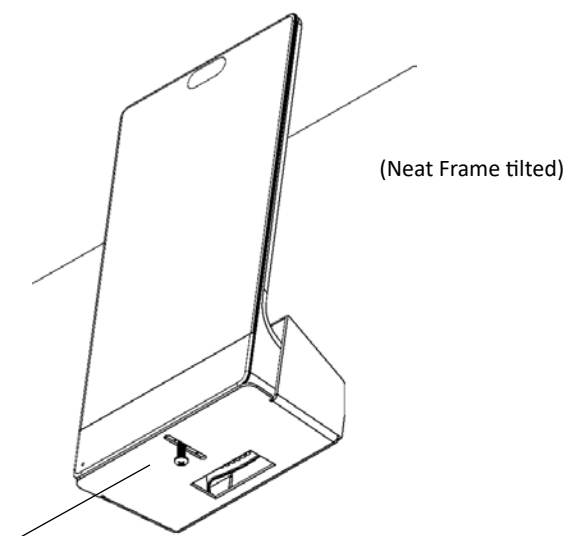
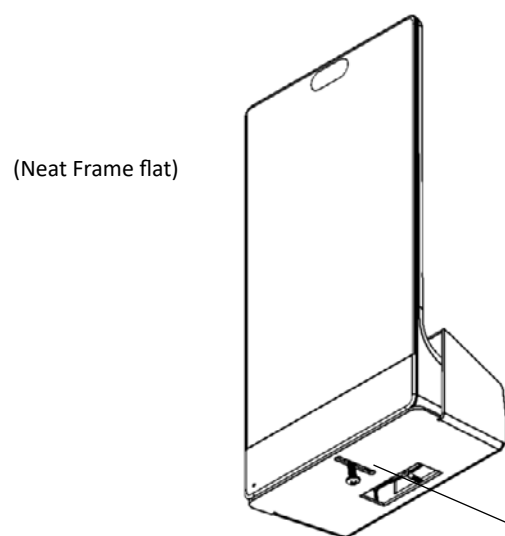


(Tilt installation: top screw placement)

STEP 2

Secure Neat Frame device to wall mount

- Secure the Neat Frame device to the base of the wall mount (A) using a [x1] 1/4-20 3/4" screw (D). Screw through the bottom of the wall mount (A).



(Screw placement)

Have a question?

Contact us at support@avteqinc.com