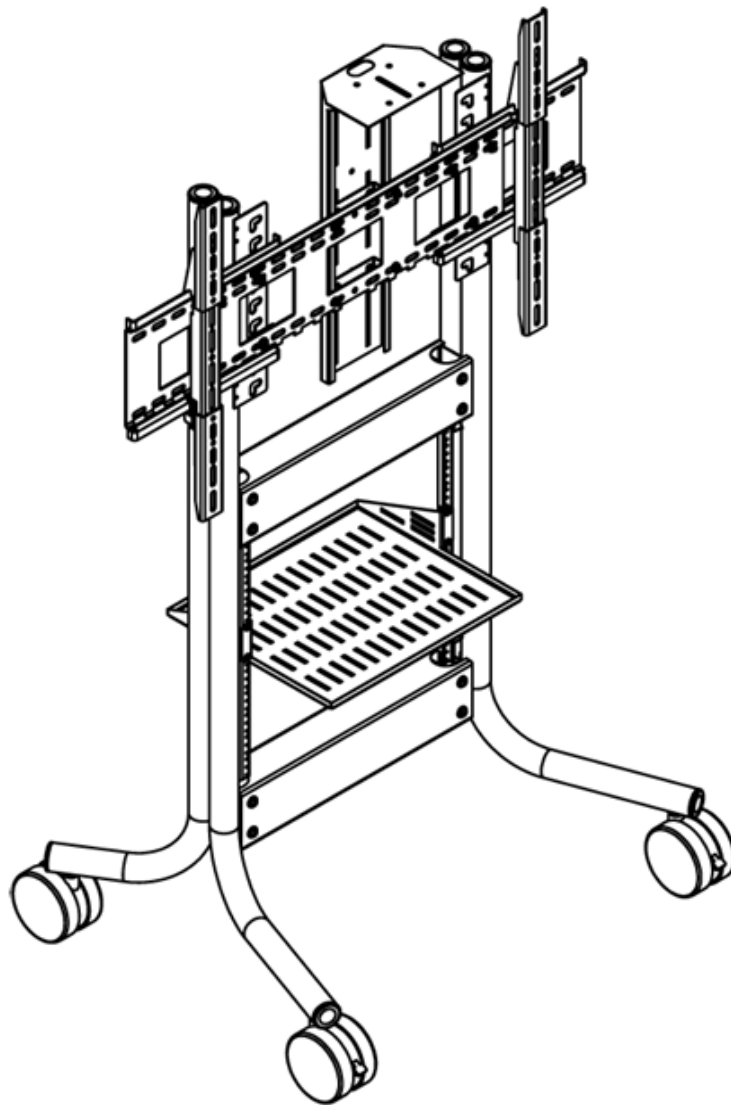




Install Guide

RPS-500S | RPS-500S-BASIC | RPS-500L

RPS-500-CSB55 | RPS-500-CSB70

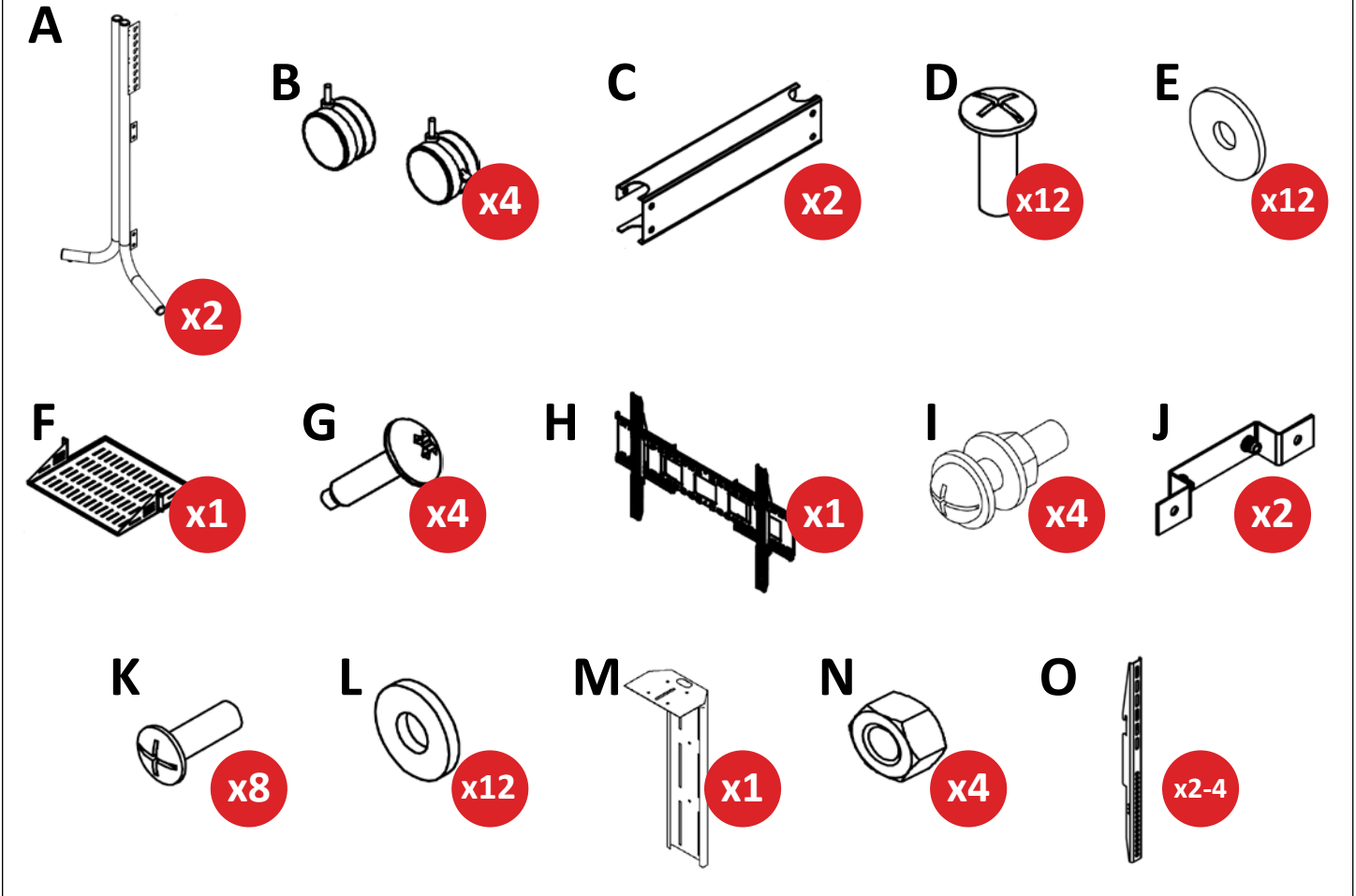


PACKAGE CONTENTS

* RPS-500-CSB55/70 does not include the following parts:
J, K, L, M, N

* RPS-500S-BASIC does not include the following parts:
F, G, J, K, L, M, N,

Included with RPS-500 Carts:



A. Leg [x2]

B. Casters

With brake = [x2]

Without brake = [x2]

C. Union [x2]

D. 5/16" x 1" Philips head screw [x12]

E. 5/16" Washer [x12]

F. Shelf [x1]

G. 10/32 Rack screw [x4]

H. Display mount [x1]

I. UM kit [x4]

5/16" x 1 1/4" Philips head screw = [x1]

5/16" Washer = [x2]

5/16" Nut = [x1]

J. Bracket [x2]

K. 1/4" x 3/4" Philips head screw [x8]

L. 1/4" Washer [x12]

M. Camera mount [x1]

N. 1/4" Nut [x4]

O. Uprights

***Upright quantity varies based on displays**

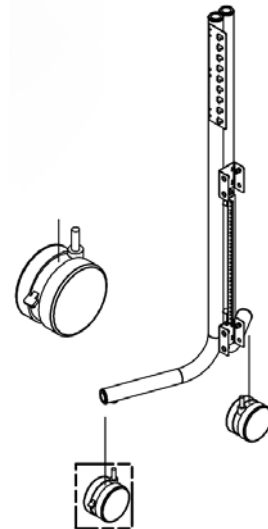
For single displays = [x2]

For dual displays = [x4]

STEP 1

Attach casters to legs

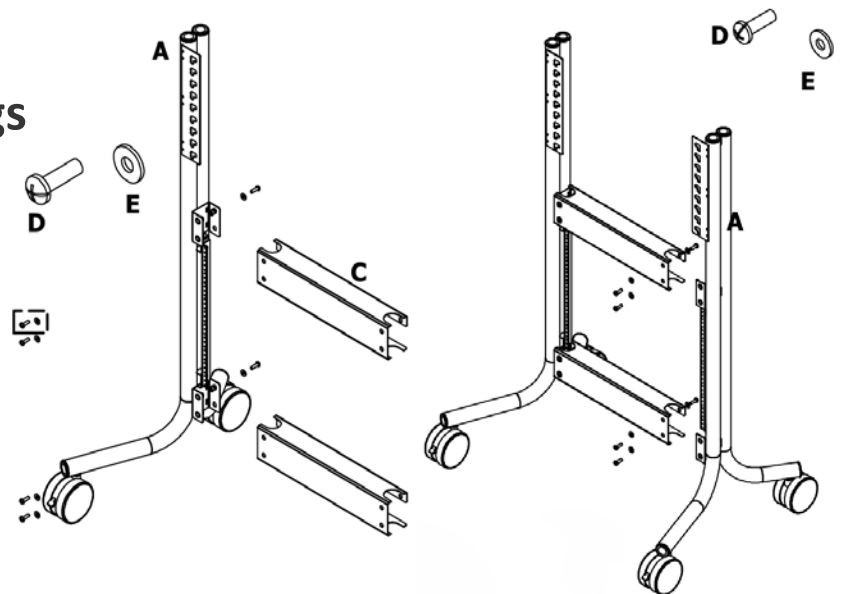
- Attach [x1] caster (A) with a break to the front of [x1] leg (A) and [x1] caster (A) without a break to the back of the same leg. Repeat this process for the second leg.



STEP 2

Attach unions to legs

- Attach [x2] unions (C) to [x1] leg (A) by sliding each into place. Secure each union with [x3] washers (E) and [x3] screws (D) on the side.
- Attach the second leg (A) to the opposite side of the unions (C) using [x3] washers (E) and [x3] screws (D) for each union.

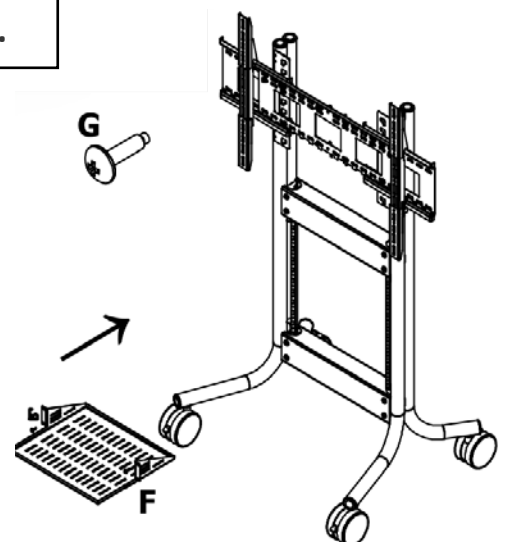


STEP 3

Skip this step for RPS-500S-BASIC.

Attach shelf to rack rails

- Attach [x1] shelf (F) to the rack rails with [x4] rack screws (G).

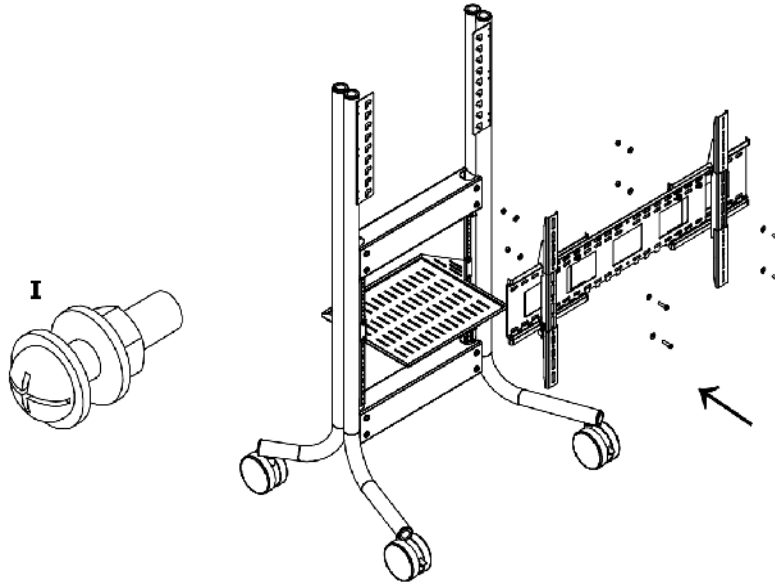


STEP 4

Attach display mount to cart

TIP: Before installing the display mount, measure the VESA pattern on the back of the display to make sure any adjustments to the display mount are done prior to mounting it to the cart.

- Secure the display mount (H) to the front of the cart as shown using the [x4] UM kit (I).

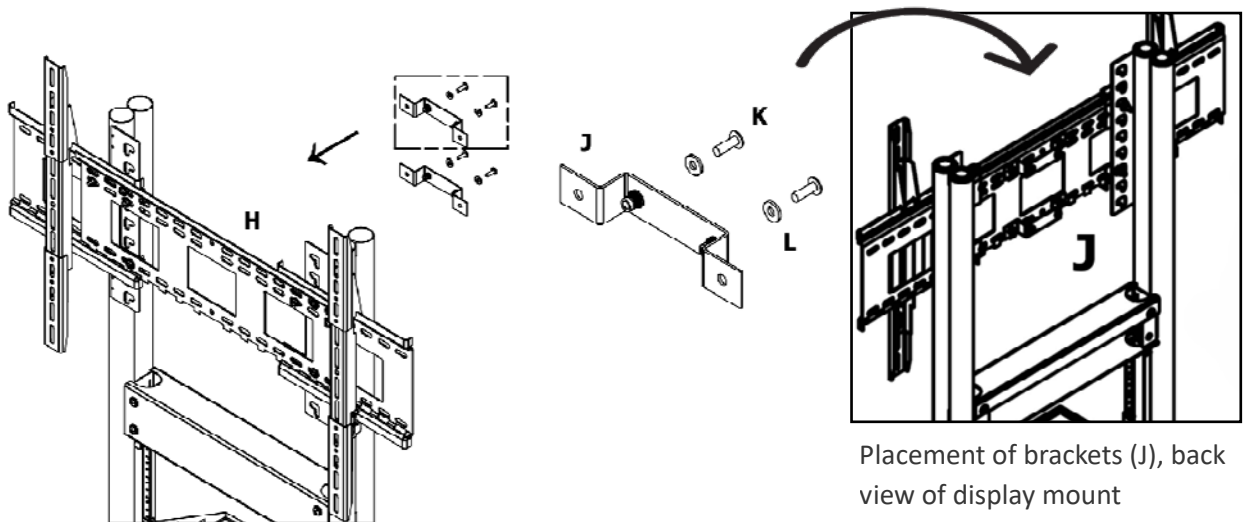


STEP 5

For RPS-500-CSB55/70 and RPS-500S-BASIC, skip to step 7.

Attach brackets to display mount

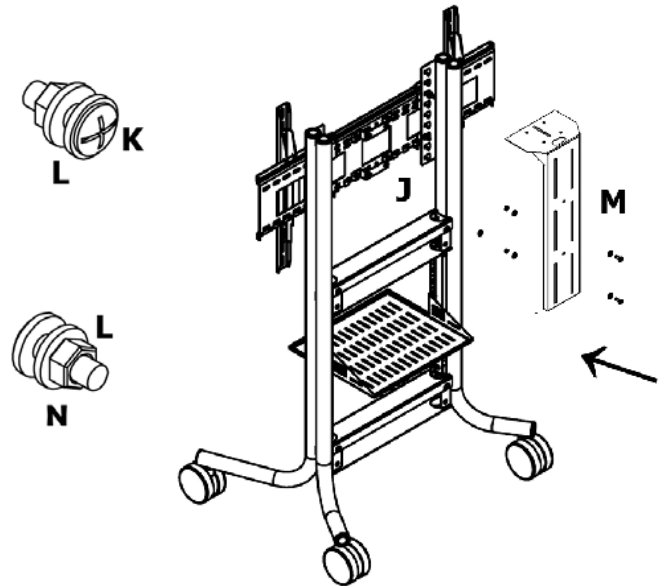
- Attach [x2] brackets (J) to the center back of the display mount (H) using [x4] philips head screws (K) and [x4] washers (L).



STEP 6

Attach camera mount to display mount

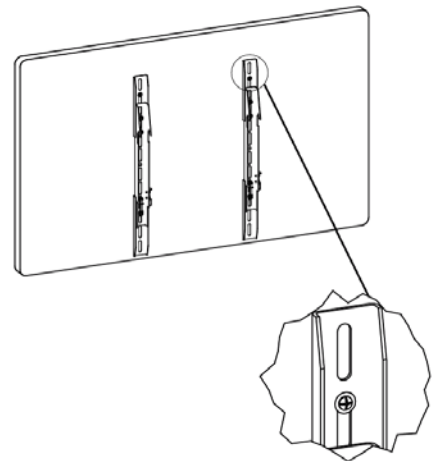
- Attach [x1] camera mount (M) to brackets (J) using [x4] screws (K), [x8] washers (L) and [x4] nuts (N).



STEP 7

Attach uprights to display

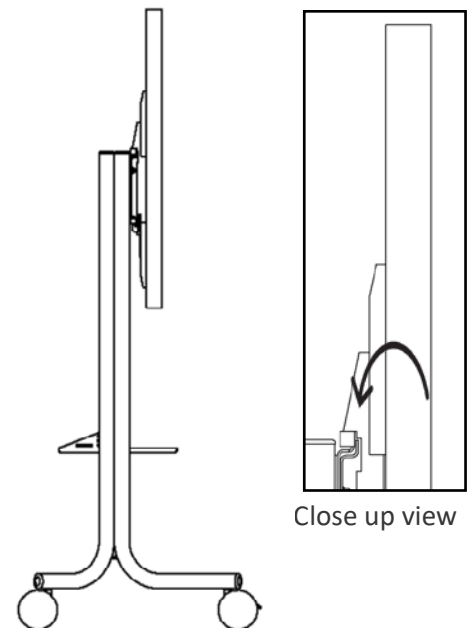
- Using the display mount hardware, bolt the uprights (O) to the rear of the display.



STEP 8

Secure display on display mount

- Hang display on display mount (H).



Have a question?

Contact us at support@avteqinc.com