

4

3

2

1

1

D

D

C

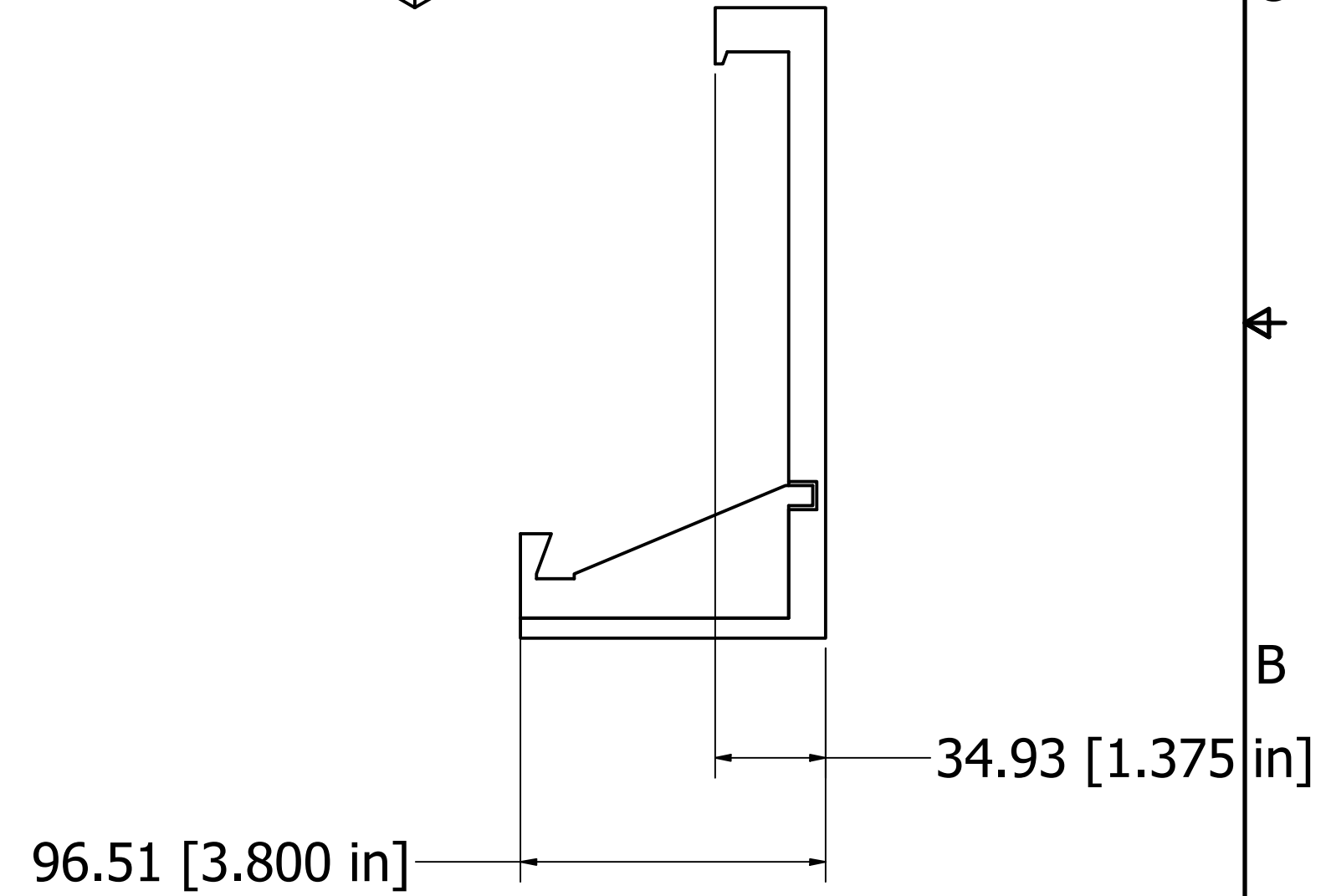
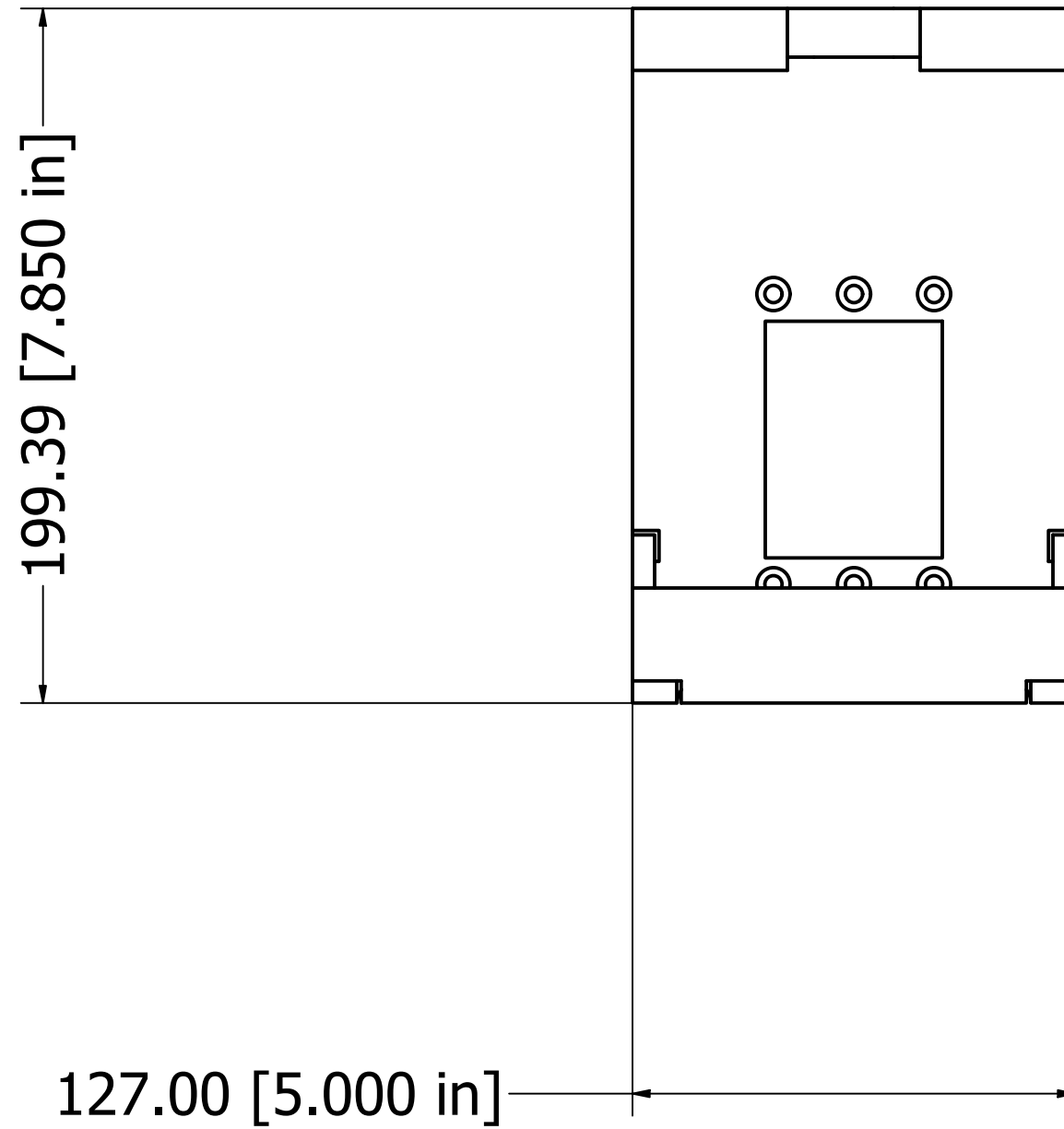
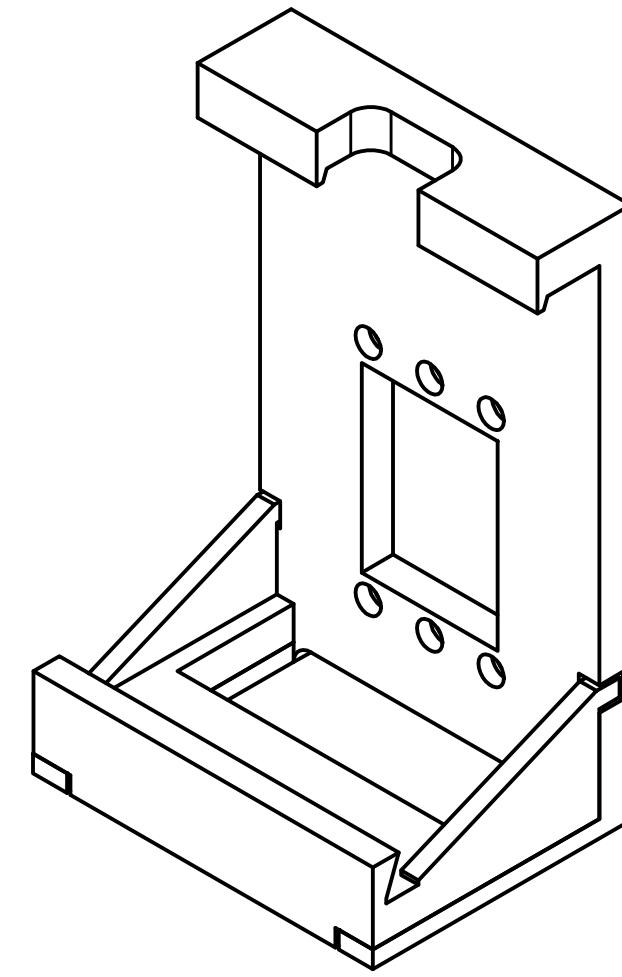
C

B

B

A

A



|               |           |               |   |              |
|---------------|-----------|---------------|---|--------------|
| DRAWN<br>iyau | 1/27/2025 | <b>AVTEQ®</b> |   |              |
| CHECKED       |           |               |   |              |
| QA            |           | TITLE         |   |              |
| Material      |           |               |   |              |
| Finish        |           |               |   |              |
|               |           | SIZE<br>C     | DWG NO<br>max-sm v3 dimension drawing (custom | REV          |
|               |           | SCALE 1 / 2   | INCHES  | SHEET 1 OF 1 |

EXCLUSIVE PROPRIETARY DRAWING OF AVTEQ.INC FULL OR PARTIAL REPRODUCTION IS PROHIBITED

4

3

2

1

1