

# MAXHUB Touch Panel Surface Mount

## Compatible with the MAXHUB TCP20T controller

The MAXHUB touch panel provides intuitive touch control for several room functions, including managing MAXHUB videoconferencing systems, joining calls, and controlling room amenities. Mounting the MAXHUB controller on the wall ensures easy access to launch and end video or audio conference meetings. Additionally, wall mounts help prevent theft and misplacement of units.

AVTEQ offers the Surface Wall Mount (MAX-SM) mounting solution that is compatible with the MAXHUB TCP20T controller.

The surface wall mount is installed directly on the wall or attached to a 1-gang or 2-gang wall box. Once installed, the MAXHUB touch panel slides easily into the mount and is secured with a set screw at the bottom.

### FEATURES

- Mounts directly to the wall
- PLA Plastic
- Black finish
- TAA-Compliant



MAXHUB Touch Panel

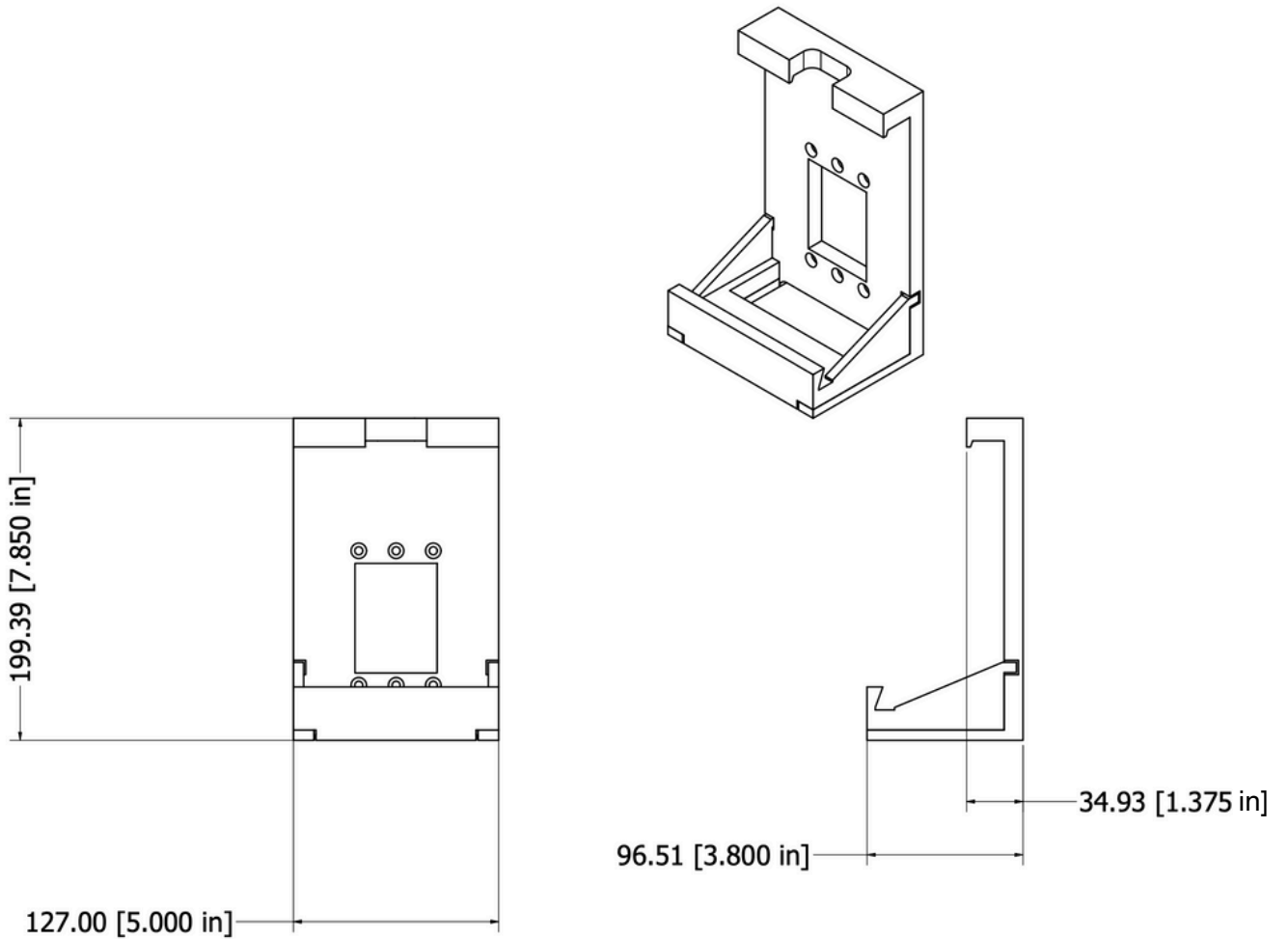


Surface Wall Mount (MAX-SM)  
SKU: MAX-SM



MAXHUB Touch Panel (Back)

## DIMENSIONS



SPECIFICATIONS	
Part Number	TCP20T
Dimensions (HxWxD)	4" x 5" x 8"



Call 800.285.8315 or visit [AVTEQ.net](http://AVTEQ.net)

© 2024 Avteq Inc. All rights reserved. All specifications subject to change without notice. Trademarks used herein are the property of Avteq Inc. or of their respective owners.

#AVT487012024