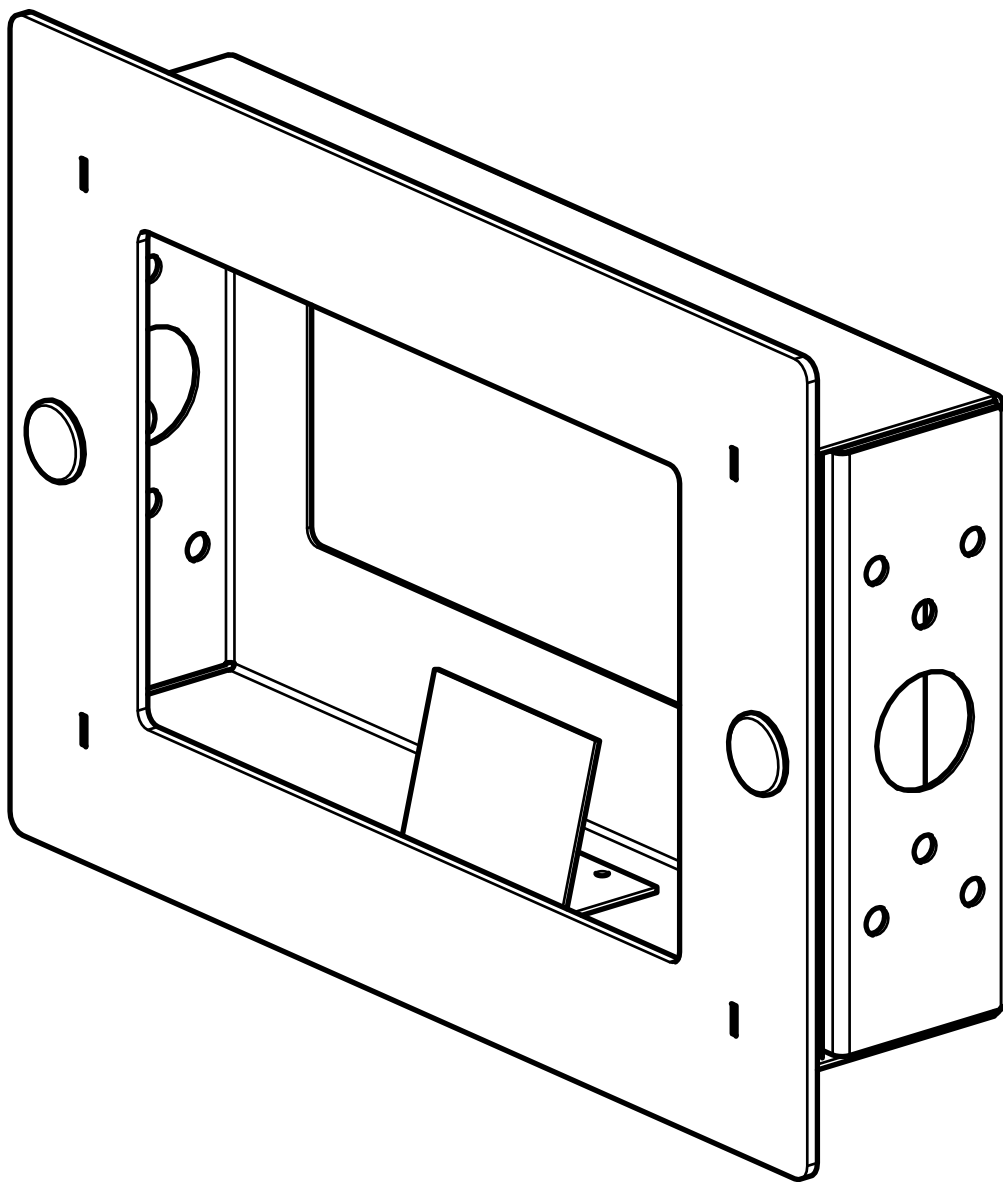




Install Guide

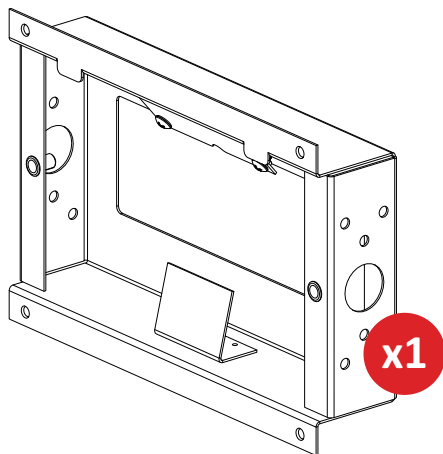
Neat Pad In-Wall Mount (NEATPAD-WMP)



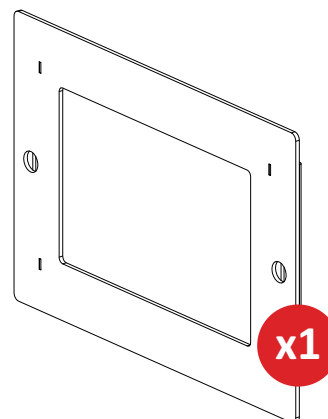
PACKAGE CONTENTS

Included with NEATPAD-WMP:

A



B



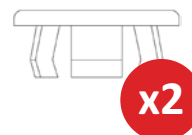
C



D



E



- A. Wall box [x1]
- B. Faceplate [x1]
- C. Anchor screws [x4]
- D. M5 screws [x2]
- E. White stoppers

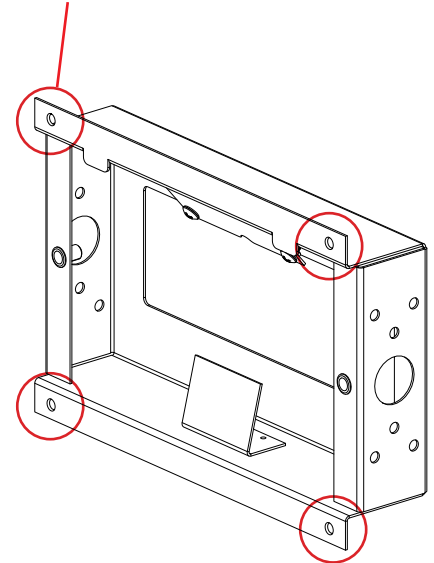
STEP 1

Secure Wall Box to Wall

NOTE: The cutout for the wall needs to be **9.8" wide and 5.5" tall.**

- Place the wall box (A) in the wall. Secure the wall box to the wall with [x4] anchor screws (C).

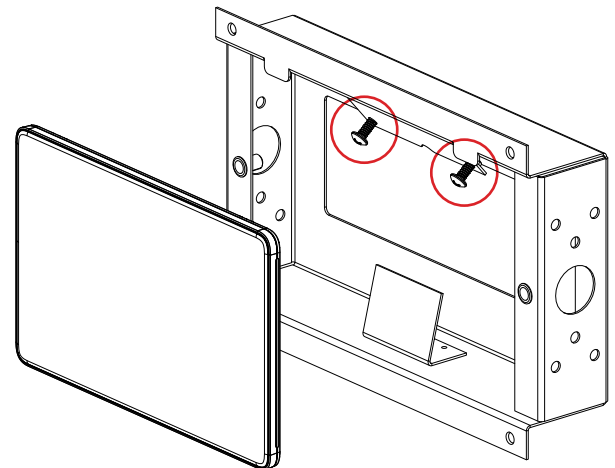
Secure box using provided anchors to wall



STEP 2

Adjust the NeatPad Angle

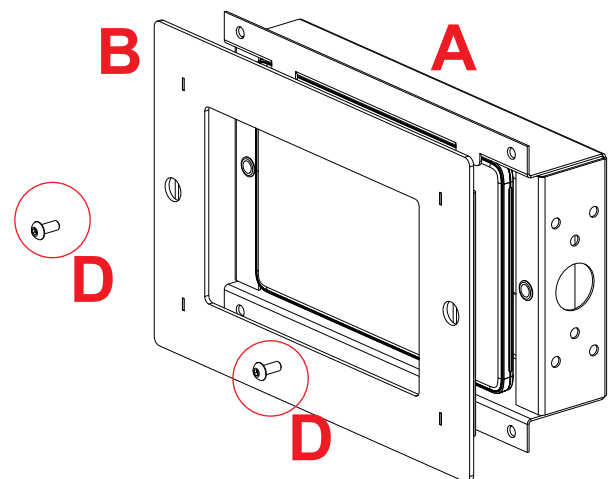
- Rest the **NeatPad** touch panel on the front side of the wall box.
- Adjust the angle of the Neat Pad by adjusting the screws on the back.



STEP 3

Attach Faceplate to Wall Box

- Place the faceplate (B) over the touch panel and wall box (A).
- Line up the left and right holes and attach the faceplate using [x2] M5 screws (D).

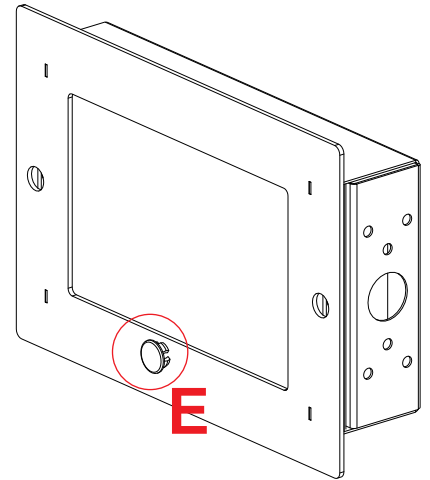




STEP 4

Secure Faceplate with Stoppers

- Insert [x2] white stoppers (E) onto the M5 screws (D).



Have a question?

Contact us at support@avteqinc.com