

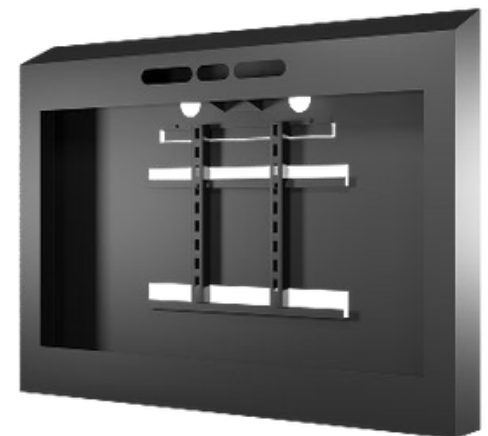
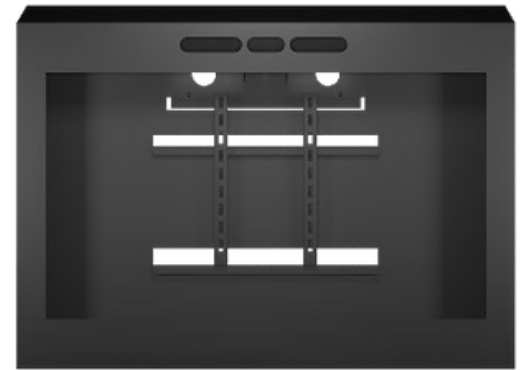
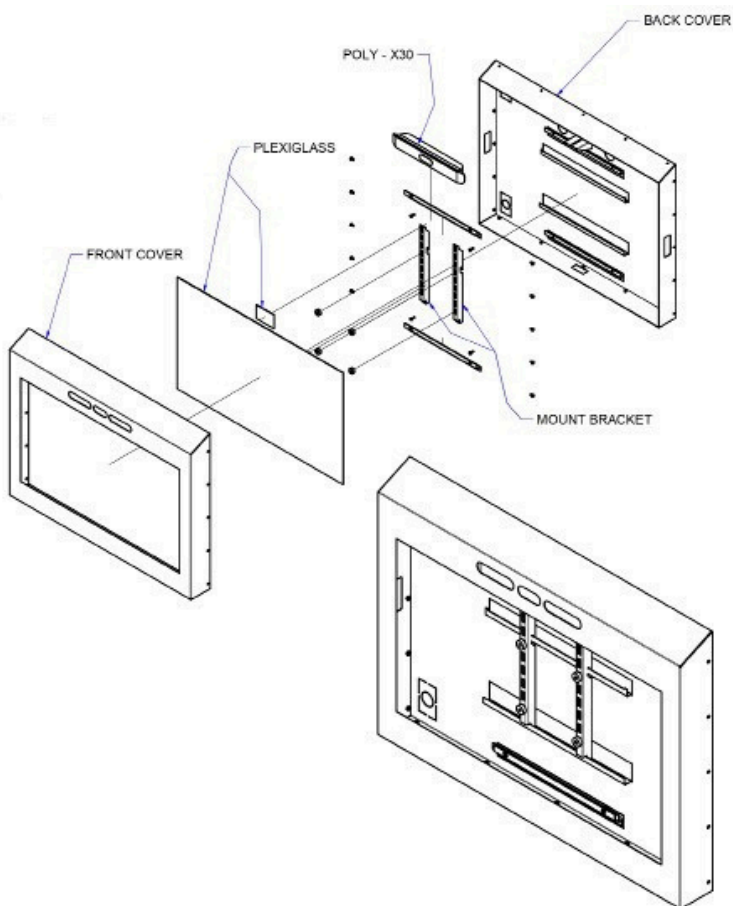
Security Display Enclosure for Poly X30/X32, V12 and R30

AVTEQ's Security Display Enclosures are designed to protect audio-visual technology while preventing misuse that could cause harm to users or others. The wall-mounted enclosure is customized specifically to support the Poly Studio X30/X32, the Poly Studio V12, and R30 video bars, along with a 32" or 43" display. This enclosure provides a safe and secure solution to mount the Poly Studio X30 and display in environments where safety is essential. Such secure video conferencing solutions are especially needed in settings like correctional or mental health facilities.

The sloped top provides a non-looping enclosure that reduces the chance of the enclosure becoming a ligature point. All cabling and power access can be protected by the cover for maximum safety.

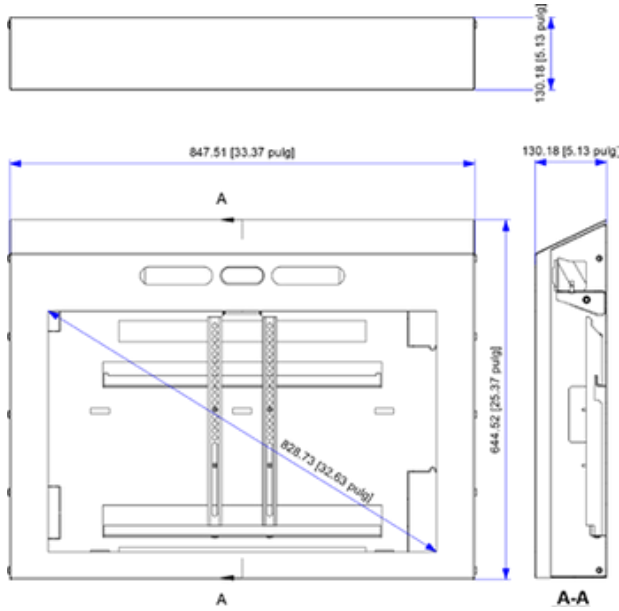
FEATURES

- Supports the Poly Studio X30/X32 and the R30 video bar
- Supports the Poly Studio V12 video bar
- Samsung display included with remote
- 3mm polycarbonate screen protection
- Single gang cutout
- 100% steel frame
- Black powder-coated finish

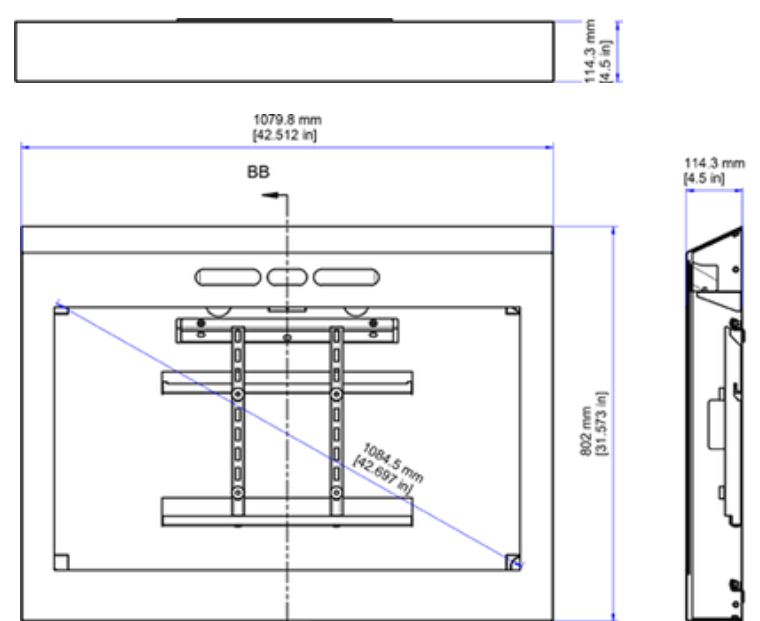


DIMENSIONAL DRAWING

32-inch Enclosure (SSENC-32-POLY)



43-inch Enclosure (SSENC-43-POLY)



SPECIFICATIONS

Part Number & Display Sizes	SSENC-32-POLY: 32 inches SSENC-43-POLY: 43 inches SSENC-32-POLY-NOTV: 32 inches, no display included SSENC-43-POLY-NOTV: 43 inches, no display included
Dimensions (HxWxD)	
32"	23.37 x 33.37 x 5.15 Inches (593.598 x 847.598 x 130.81 mm)
43"	31.6 x 42.5 x 4.5 Inches (802.64 x 1079.5 x 114.3 mm)



Call 800.285.8315 or visit AVTEQ.net

© 2024 Avteq, Inc. All rights reserved. All specifications subject to change without notice. Trademarks used herein are the property of Avteq, Inc. or of their respective owners.

#SSEPOLY012024