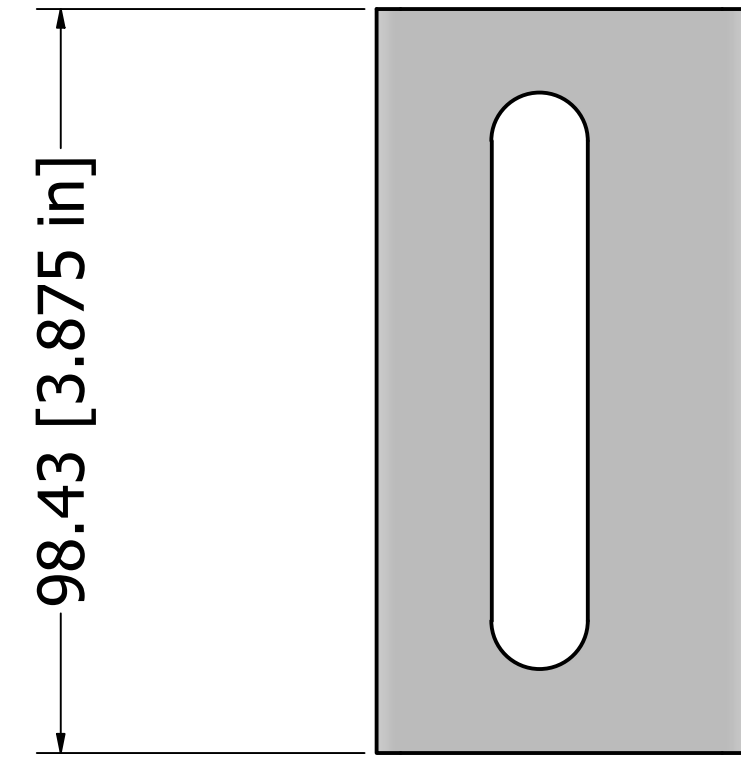
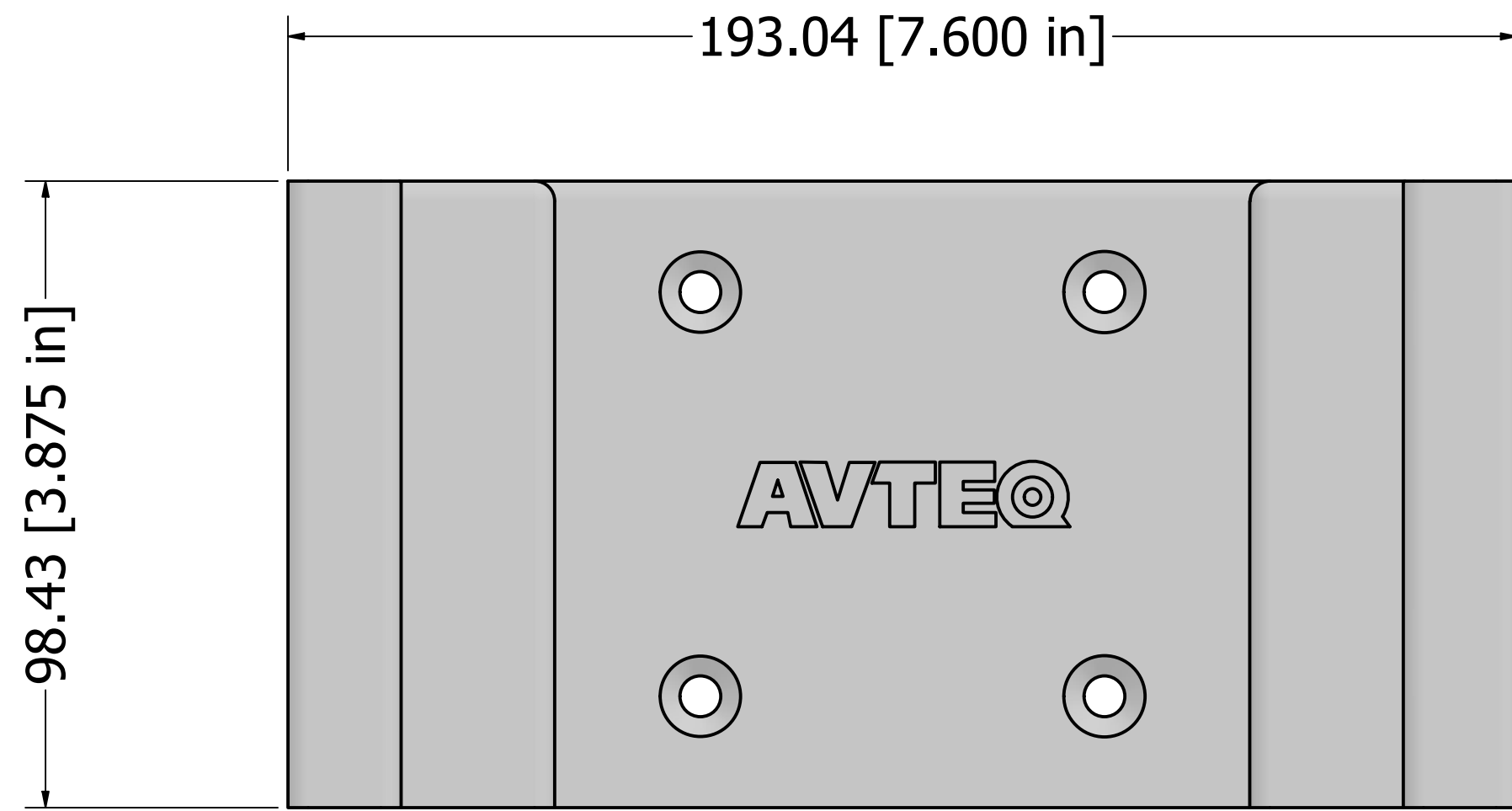
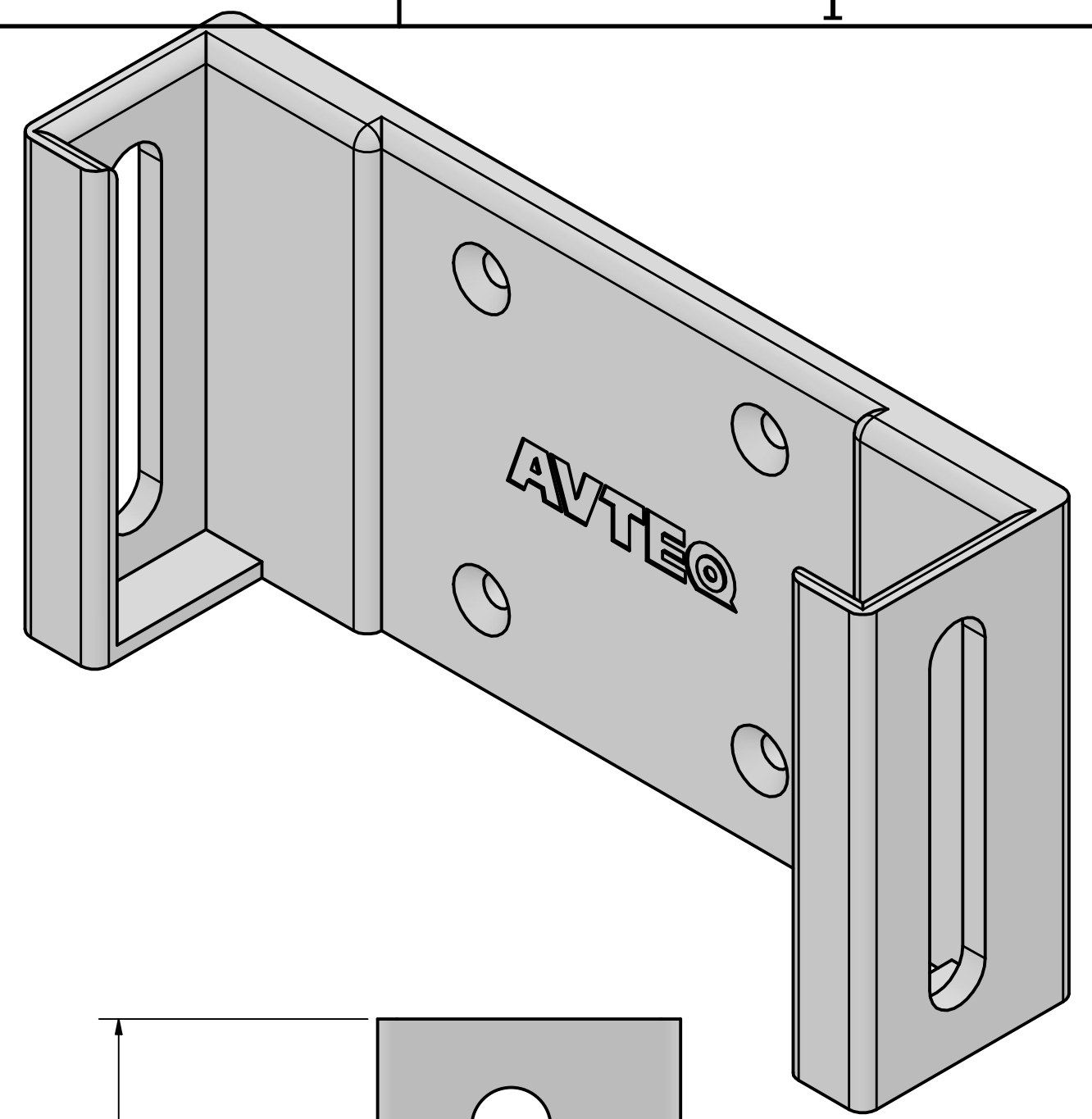
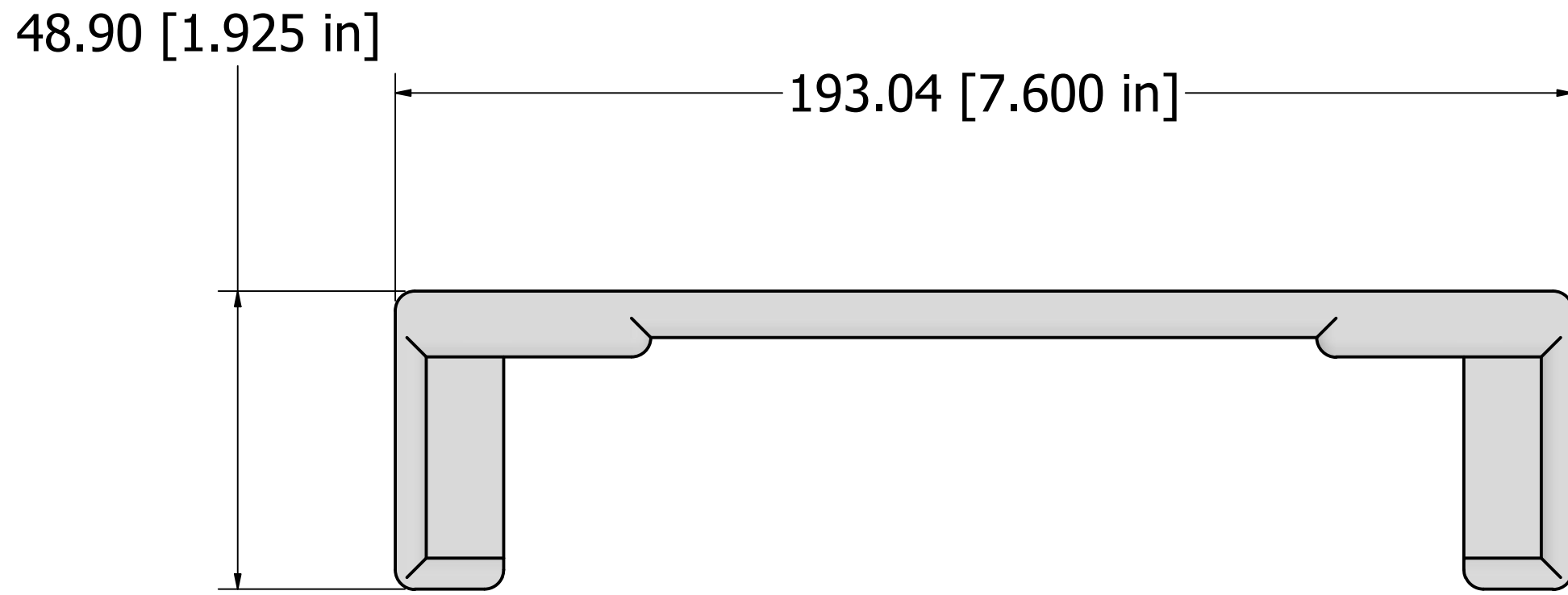


MER-GEN4



DRAWN iyau	10/17/2025	AVTEQ®		
CHECKED				
QA		SIZE C		
Material				
Finish		SCALE 1 : 1 INCHES		REV 1
		SHEET 1 OF 1		

EXCLUSIVE PROPRIETARY DRAWING OF AVTEQ,INC FULL OR PARTIAL REPRODUCTION IS PROHIBITED